

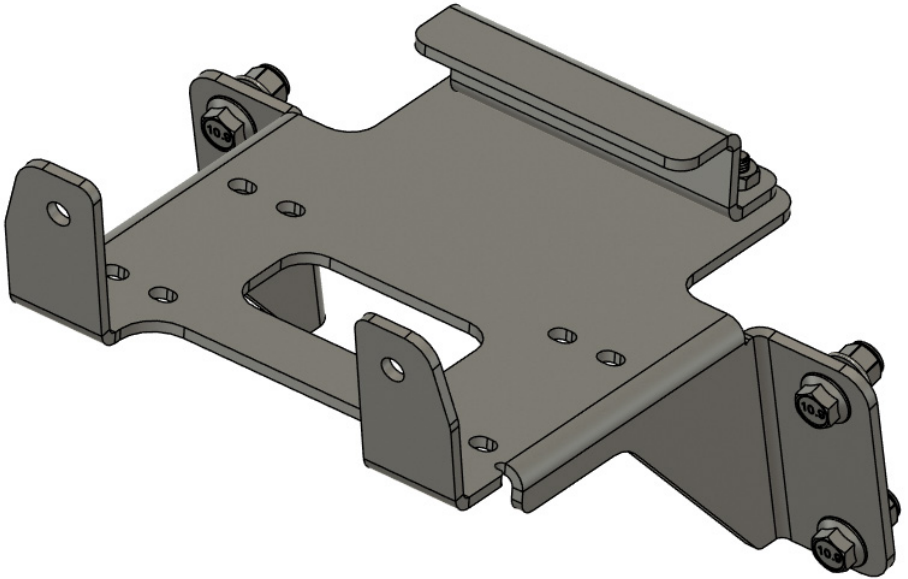


# THUMPER FAB

Aluminum Audio Roofs ♦ Roll Cages ♦ UTV Accessories

## Kawasaki Ridge Winch Mount Kit

SKU: TF320801



### Thumper Fab

5103 Elysian Fields Rd, Marshall, TX 75672

Customer Service: 903-472-0928

[www.thumperfab.com](http://www.thumperfab.com)

Ver. 0426

# Kawasaki Ridge Winch Mount Kit

SKU: TF320801



## PARTS

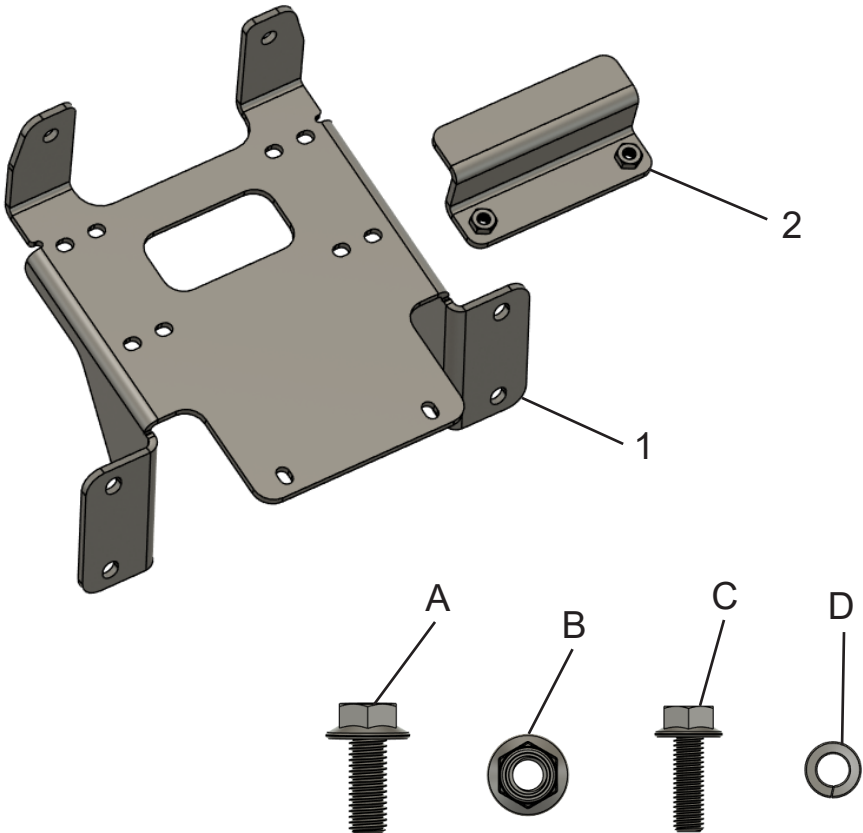
REF	QTY	DESCRIPTION
1	1	Winch Mount
2	1	Tube Capture Bracket
HARDWARE		
A	6	M10x25mm Flange Head Bolt
B	8	M10 Flange Nylon Lock Nut
C	10	M8x25mm Flange Head Bolt
D	12	M8 Flange Nylon Lock Nuts

## TOOLS

- Allen Wrench
- Phillips Screw Driver
- 15mm Socket and Wrench
- 13mm Socket and Wrench

## BEFORE YOU BEGIN

If you do not feel comfortable installing your **Thumper Fab** Front Bumper, please see your nearest Thumper Fab® Dealer for installation.



# INSTALLATION INSTRUCTIONS

## Installation

Begin the installation process by removing the front lower plastic piece from the front end of the unit. This will require removing the (4) hex drive screws on the front using an allen wrench and the (2) phillips head screws on the back side of the the plastic piece using a phillips screwdriver. (FIG 1 & FIG 2).



FIG 1



FIG 2

Next, you will need to remove the (2) upper bolts and loosen the (2) lower bolts that fasten the OEM bumper so that the bumper can fall forward enough to get the winch mount bracket into place. (FIG 3 & FIG 4).



FIG 3

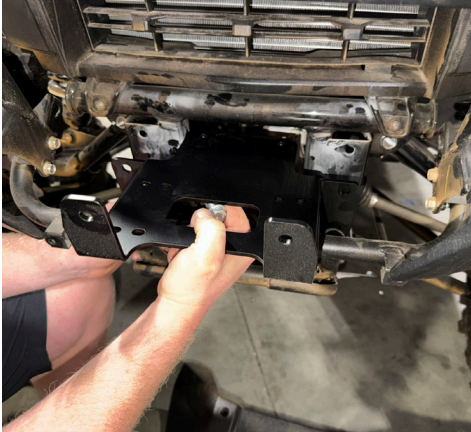


FIG 4

# INSTALLATION INSTRUCTIONS

## Installation

Next, place the winch mount bracket into place and LOOSELY fasten the bracket with the provided M10 hardware. (**FIG 5 & FIG 6**).



**FIG 5**



**FIG 6**

Next, place the Tube Capture Bracket into place and fasten with the M8 bolts and lock washers provided in the kit. The bracket is to be placed on top of the winch mount and behind the frame tube. The Capture Bracket should wrap over the top of the frame tube. The M8 bolts and lock washers will be inserted up through the winch mount bracket and threaded into the weld nuts on the capture bracekt (**FIG 7, FIG 8, & FIG 9**).



**FIG 7**



**FIG 8**

# INSTALLATION INSTRUCTIONS



FIG 9

After all bracketry and hardware has been installed, you can then tighten all bolts/nuts. Then begin placing the front bumper into place with it's hardware. Tighten all bumper hardware. Then, replace the plastics and associated hardware, as well. (FIG 11, FIG 12, & FIG 13).

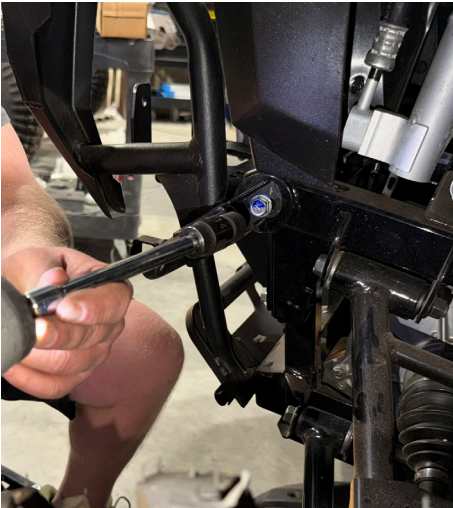


FIG 11



FIG 12

# INSTALLATION INSTRUCTIONS



**FIG 13**

# INSTALLATION INSTRUCTIONS

## PRODUCT DISCLAIMER

The installation of products sold or manufactured by Thumper Fabrication, LLC (Thumper Fab) including, but not limited to suspension components such as lift kits, audio roofs, roll cages, frame stiffener kits, and tires that exceed the original specifications for the vehicle, may change the vehicle's center of gravity and handling characteristics both on- and off-road. You are aware that the installation of tires that are larger than original vehicle specifications may reduce the effectiveness of the braking system. Use of these products may place added stress to the original factory vehicle components which could cause them to weaken or possibly fail.

Products sold or manufactured by Thumper Fab are intended for off-road use only. Operation of a vehicle modified with these products on a road could result in serious bodily injury or death, and such operation may violate the laws of your state or municipality. You agree to operate your vehicle exclusively in the manner intended by the vehicle manufacturer. You agree that failure to safely and reasonably operate your vehicle could result in serious bodily injury or death, and that, as a result of installation of this product(s) to your vehicle, extreme care must be taken to prevent vehicle rollover or loss of control, which may be more likely to occur as a result of said modifications. You will avoid unsafe maneuvers, including sudden sharp turns or other abrupt maneuvers, which could make a vehicular accident more likely. You understand that Thumper Fab is not responsible or liable for any damages or any injuries to yourself or your passengers that could occur upon possible accidents due to driver error, incorrect installations, bad judgment, incompatibility with other aftermarket accessories or natural disasters to the fullest extent allowable by law. You will have all vehicle occupants fasten seatbelts, if equipped, and wear proper safety equipment, such as DOT approved helmet and eye protection prior to operating the vehicle. You understand and acknowledge that failure to wear proper safety equipment may increase the risk of serious bodily injury or death to yourself and any passengers.

Proper installation of products sold or manufactured by Thumper Fab requires knowledge of the factory recommended procedures for removal and installation of original equipment components. Installation of these products without proper knowledge and experience may affect the performance of these components and the safety of the vehicle and cause serious bodily injury or death. It is strongly recommended that a certified mechanic familiar with the installation of similar components perform the product(s) installation.

Prior to installing any products sold or manufactured by Thumper Fab, you will perform or cause to be performed an inspection of their vehicle to confirm its condition is suitable for the installation of these products. A proper inspection of the vehicle includes confirmation that the vehicle has not been in a collision and is free of corrosion. If the vehicle is suspected to have been in a collision or misused, or is otherwise unsuitable for modification, you will not install the product(s). You will continue to inspect the vehicle prior to each use to confirm its condition is suitable for its intended use, and you acknowledge that the failure to do so may result in serious bodily injury or death, as well as damage to the vehicle itself.

You will install any warning labels provided with the product so it may be prominently seen by yourself and all passengers. You will notify all passengers of the modifications performed to your vehicle prior to operation.

Insurance companies may handle coverage of a modified vehicle differently. Please check with your insurance carrier prior to modifying the vehicle to ensure your coverage remains sufficient. Installation of this product(s) may void your vehicle warranty. If this is a concern, please check with the manufacturer or dealer before purchase or installation of this product(s).



**THUMPER FAB**

**Thumper Fab**

5103 Elysian Fields Rd, Marshall, TX 75672

Customer Service: 903-472-0928

[www.thumperfab.com](http://www.thumperfab.com)