

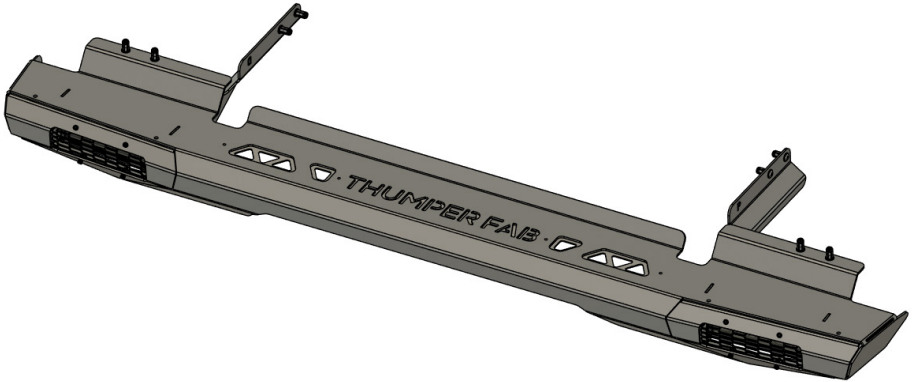


THUMPER FAB

Aluminum Audio Roofs • Roll Cages • UTV Accessories

Kawasaki Ridge Rear Bumper

SKU: TF320601



Thumper Fab

5103 Elysian Fields Rd, Marshall, TX 75672

Customer Service: 903-472-0928

www.thumperfab.com

Ver. 0426

Kawasaki Ridge

Rear Bumper

SKU: TF320601



PARTS

REF	QTY	DESCRIPTION
1	1	Rear Bumper
2	1	Driver Mount Bracket
3	1	Passenger Mount Bracket
4	1	Logo Backing Plate
5	2	Light Bar Grills
6	1	Tube Capture Bracket

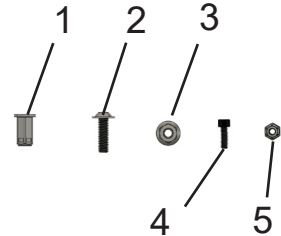
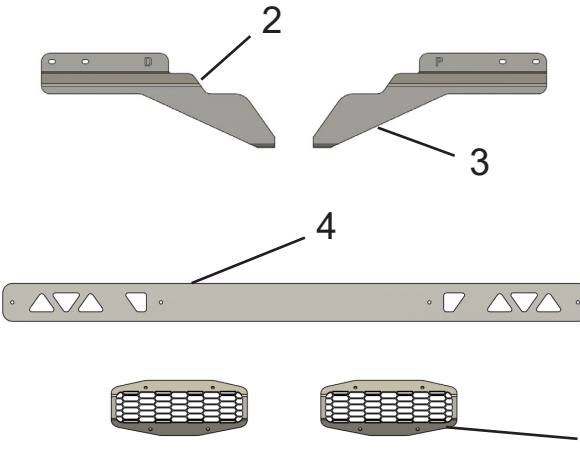
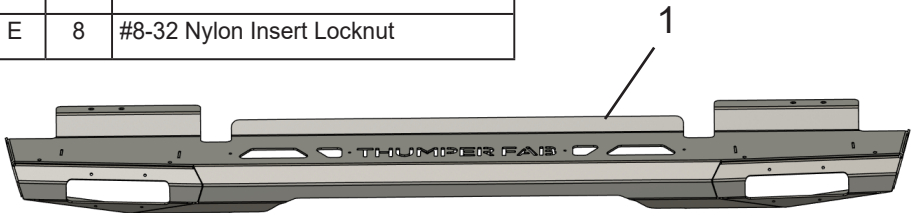
HARDWARE		
A	10	M6 Rivet Nuts
B	12	M6x20mm Flanged Button Head Bolt
C	4	M6 Flanged Nylon Lock Nut
D	8	#8-32 x 1/2" Socket Cap Screw
E	8	#8-32 Nylon Insert Locknut

TOOLS

- Allen Wrenches
- Phillips Screw Driver
- 15mm Socket and Wrench
- 13mm Socket and Wrench

BEFORE YOU BEGIN

If you do not feel comfortable installing your **Thumper Fab** Front Bumper, please see your nearest Thumper Fab® Dealer for installation.



INSTALLATION INSTRUCTIONS

Installation Prep

Begin the installation process by removing everything from the box and neatly sorting it. Next, pre-install the 6 inch LED lights into the bumper using it's provided, if this option was purchased. (FIG 1 - FIG 2).



FIG 5



FIG 6

Next, pre-install all of the stainless steel components onto the bumper. (Logo backing plate and light bar grills (2)). Fasten with the provided #8-32 hardware. (FIG 3 - FIG 6).



FIG 1



FIG 2



FIG 3



FIG 4

INSTALLATION INSTRUCTIONS

Installation

Next, install the provided rivet nuts into the hex shaped holes in the frame. You will need to use the provided rivet nut tools to do this. Thread the rivet nut onto the bolt as shown below. Then insert the rivet nut all the way into the hex hole and begin tightening with a socket while holding the rivet nut tool with a wrench. Tighten until the rivet nut is fully collapsed and has no movement. There will be (4) locations on the rear-most square tube on the bottom side of the bed and (2) locations on frame rails on both sides of the unit. **(FIG 5 & FIG 6).**



FIG 7



FIG 8



FIG 9



FIG 10



FIG 11

INSTALLATION INSTRUCTIONS

Next, after all of the rivet nuts have been installed, begin installing the mount brackets. Using the M6 hardware provided in the kit, loosely fasten the mount brackets to the frame rails, as shown below. The mount brackets will have a “D” and a “P” cut into them, designating the Driver and Passenger side parts. Driver side part shown. Leave the screws slightly loose for now. (FIG 11, & FIG 12).



FIG 11



FIG 12

Next, lift the bumper into place and loosely fasten to the (4) rivet nut positions in the frame rail of the rear of the bed. Then, using (4) of the M6 screws and (4) of the M6 locknuts, fasten the bumper to both mount brackets as shown. DO NOT fully tighten anything until all hardware is installed. (FIG 13 & FIG 14).



FIG 13



FIG 14

INSTALLATION INSTRUCTIONS

Select a slot to mount the switch, use a box knife to cut out the rectangle for the switch to be installed in. Connect the wires to the switch in the order of black, white, and blue starting at the top terminal of the switch. Once connected, insert the switch into the dash (FIG 17 & FIG 18).



FIG 17 & FIG 18 - Connect the harness to the switch and insert switch in dash

Fasten the ring terminals to the positive and negative terminals of the busbar. Once connected, test the lights to make sure they function properly (FIG 19).

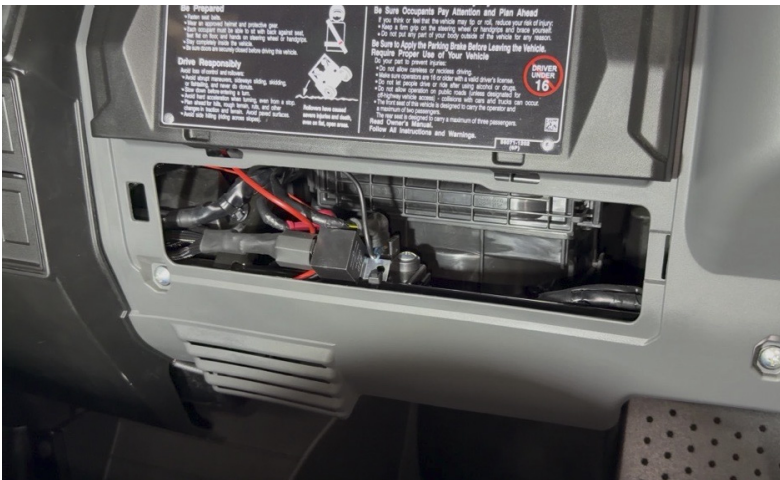


FIG 19 - Attach the ring terminals from the harness to the busbar

INSTALLATION INSTRUCTIONS

PRODUCT DISCLAIMER

The installation of products sold or manufactured by Thumper Fabrication, LLC (Thumper Fab) including, but not limited to suspension components such as lift kits, audio roofs, roll cages, frame stiffener kits, and tires that exceed the original specifications for the vehicle, may change the vehicle's center of gravity and handling characteristics both on- and off-road. You are aware that the installation of tires that are larger than original vehicle specifications may reduce the effectiveness of the braking system. Use of these products may place added stress to the original factory vehicle components which could cause them to weaken or possibly fail.

Products sold or manufactured by Thumper Fab are intended for off-road use only. Operation of a vehicle modified with these products on a road could result in serious bodily injury or death, and such operation may violate the laws of your state or municipality. You agree to operate your vehicle exclusively in the manner intended by the vehicle manufacturer. You agree that failure to safely and reasonably operate your vehicle could result in serious bodily injury or death, and that, as a result of installation of this product(s) to your vehicle, extreme care must be taken to prevent vehicle rollover or loss of control, which may be more likely to occur as a result of said modifications. You will avoid unsafe maneuvers, including sudden sharp turns or other abrupt maneuvers, which could make a vehicular accident more likely. You understand that Thumper Fab is not responsible or liable for any damages or any injuries to yourself or your passengers that could occur upon possible accidents due to driver error, incorrect installations, bad judgment, incompatibility with other aftermarket accessories or natural disasters to the fullest extent allowable by law. You will have all vehicle occupants fasten seatbelts, if equipped, and wear proper safety equipment, such as DOT approved helmet and eye protection prior to operating the vehicle. You understand and acknowledge that failure to wear proper safety equipment may increase the risk of serious bodily injury or death to yourself and any passengers.

Proper installation of products sold or manufactured by Thumper Fab requires knowledge of the factory recommended procedures for removal and installation of original equipment components. Installation of these products without proper knowledge and experience may affect the performance of these components and the safety of the vehicle and cause serious bodily injury or death. It is strongly recommended that a certified mechanic familiar with the installation of similar components perform the product(s) installation.

Prior to installing any products sold or manufactured by Thumper Fab, you will perform or cause to be performed an inspection of their vehicle to confirm its condition is suitable for the installation of these products. A proper inspection of the vehicle includes confirmation that the vehicle has not been in a collision and is free of corrosion. If the vehicle is suspected to have been in a collision or misused, or is otherwise unsuitable for modification, you will not install the product(s). You will continue to inspect the vehicle prior to each use to confirm its condition is suitable for its intended use, and you acknowledge that the failure to do so may result in serious bodily injury or death, as well as damage to the vehicle itself.

You will install any warning labels provided with the product so it may be prominently seen by yourself and all passengers. You will notify all passengers of the modifications performed to your vehicle prior to operation.

Insurance companies may handle coverage of a modified vehicle differently. Please check with your insurance carrier prior to modifying the vehicle to ensure your coverage remains sufficient. Installation of this product(s) may void your vehicle warranty. If this is a concern, please check with the manufacturer or dealer before purchase or installation of this product(s).



THUMPER FAB

Thumper Fab

5103 Elysian Fields Rd, Marshall, TX 75672

Customer Service: 903-472-0928

www.thumperfab.com