



THUMPER FAB

Aluminum Audio Roofs • Roll Cages • UTV Accessories

Can Am Defender HD10 & HD11 SEAT MOUNT KIT

SKU: TF293201



Thumper Fab
5103 Elysian Fields Rd, Marshall, TX 75672
Customer Service: 903-472-0928

www.thumperfab.com

Ver. 0226

Can Am Defender HD10 & HD11 SEAT MOUNT KIT

SKU: TF293201



PARTS

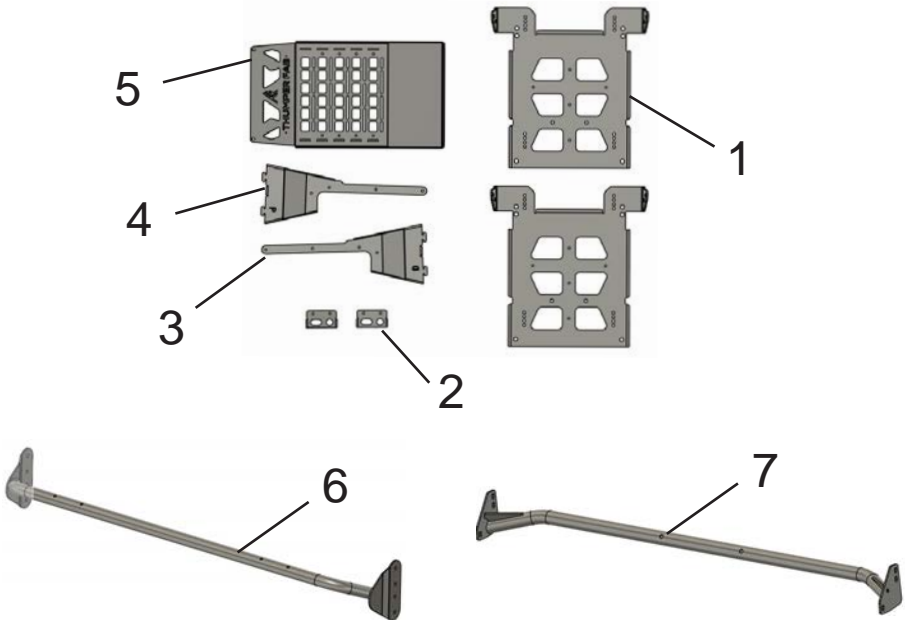
REF	QTY	DESCRIPTION
1	2	Base Plate
2	2	Switch Bracket
3	1	Console Mount Bracket _ DRIVER
4	1	Console Mount Bracket _ PASSENGER
5	1	Center Console Main Mount
6	1	Crossmember
7	1	Harness Bar
	2	Simpson Seats

TOOLS

- 10mm Socket and Wrench
- 13mm Socket and Wrench
- 15mm Socket and Wrench
- 18mm Socket and Wrench
- 6mm Allen Wrench
- Drill
- 11/32" Drill Bit
- 1/2" Drill Bit
- 25/64" Drill Bit
- Grinder (w/ cutoff wheel & grinding disk)
- Wire stripper/crimpers
- Sawzall
- Push Pin Tool

BEFORE YOU BEGIN

If you do not feel comfortable installing your **Thumper Fab** Seat Mount Kit, please see your nearest **Thumper Fab® Dealer** for installation.



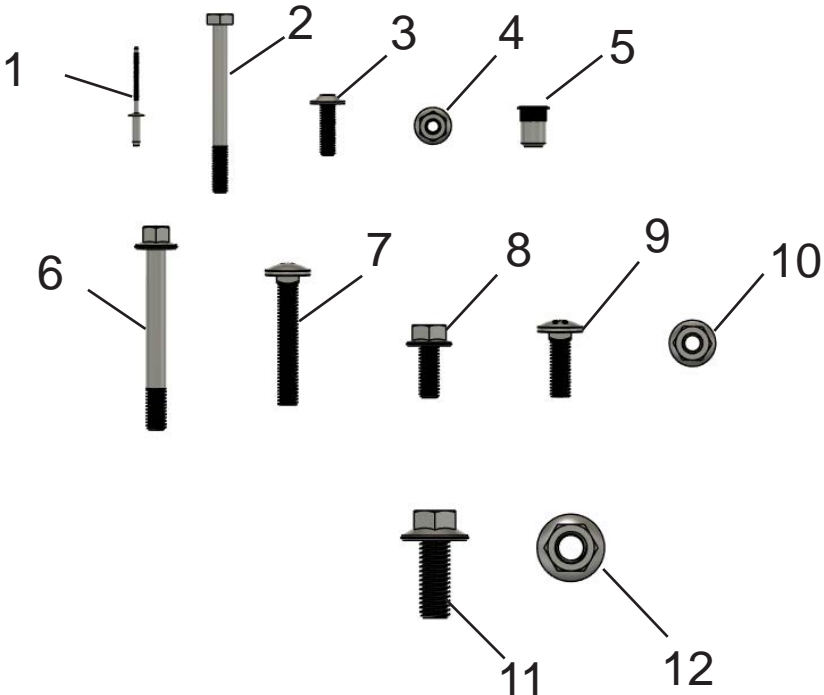
Can Am Defender HD10 & HD11 SEAT MOUNT KIT

SKU: TF293201.X



HARDWARE

REF	QTY	DESCRIPTION
1	2	Stainless Steel Rivet
2	2	M6 x 65mm Bolt
3	16	M6 x 20mm Flanged Button Head Screws
4	8	M6 Locknuts
5	8	M6 Rivet Nuts
	8	Rivet Nut Tool
6	4	M8 x 70mm Bolt
7	4	M8 x 55mm Carriage Bolt
8	6	M8 x 20mm Bolt
9	8	M8 x 30mm Carriage Bolt
10	20	M8 Locknut
11	4	M12 x 30mm Bolt
12	4	M12 Locknut



Can Am Defender HD10 & HD11

OPTIONAL - SEAT MOUNT - ELECTRIC SLIDERKIT

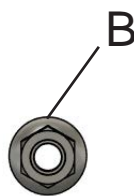
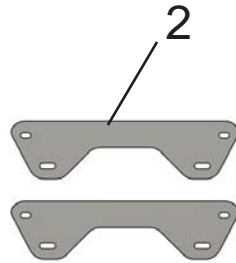
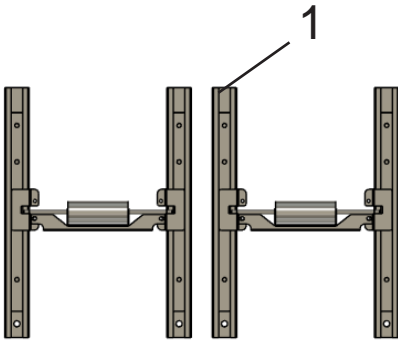
SKU: TF233202



PARTS

REF	QTY	DESCRIPTION
1	2	Electric Seat Slider Mount
2	2	Adapter Plate
3	1	16GA Wire (10 ft Black, 10 ft White)
HARDWARE KIT		
A	8	M10x35mm Long, Flanged Button Head Screws
B	8	M10 Flanged Locknuts
C	4	M8x25mm Long, Carriage Bolts
D	4	M8 Flanged Locknuts

BEFORE YOU BEGIN
If you do not feel comfortable installing your **Thumper Fab** Seat Mount Kit, please see your nearest **Thumper Fab**® Dealer for installation.



INSTALLATION INSTRUCTIONS

Installation Preparation

Begin by removing all of the front seat cushions and driver seat assembly



INSTALLATION INSTRUCTIONS

Next, remove the seat belts.



Next, remove all hardware fastening the OEM seat mount cross member. This will require removing some of the torx screws and push pins in order to pull back the plastics. Then continue removing hardware fastening the cross member. There will be (2) oem M8 bolts on each side (driver and passenger) that will be screwed into the b-pillar. Retain these bolts as they will be re-used to fasten the new cross member later. Once all hardware has been removed, remove the oem cross member by lifting it up and out of the cab area.



INSTALLATION INSTRUCTIONS



Next, remove the cab liner behind the seats.



INSTALLATION INSTRUCTIONS



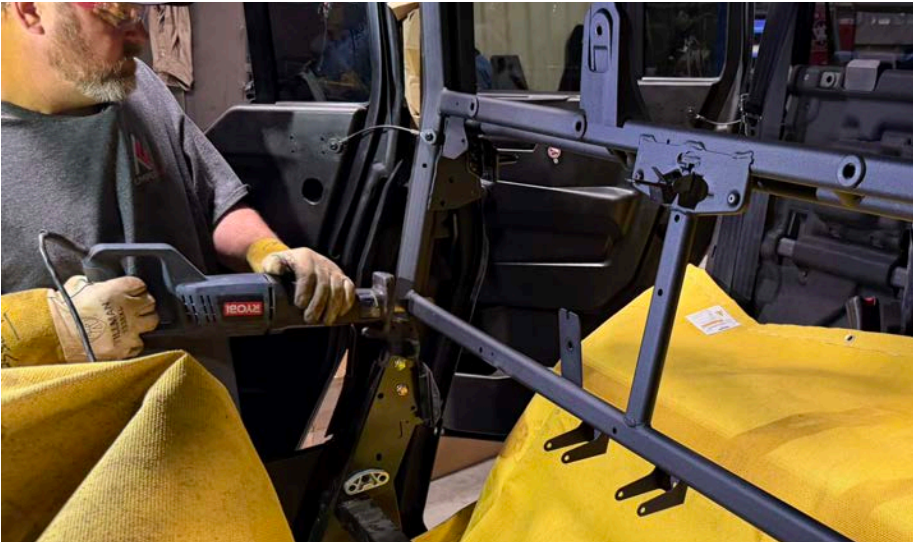
After the cab liner has been removed, be sure to clean out the inside of the cab and possibly lay a fire retardant blanket down inside the cab to protect it from sparks, etc. We are now ready to cut out the upper oem crossmember and seat belt mounts. Begin by cutting at the weld between the crossmember and the b-pillar.



INSTALLATION INSTRUCTIONS



INSTALLATION INSTRUCTIONS



INSTALLATION INSTRUCTIONS

Next, cut off the upper seat belt mounts.

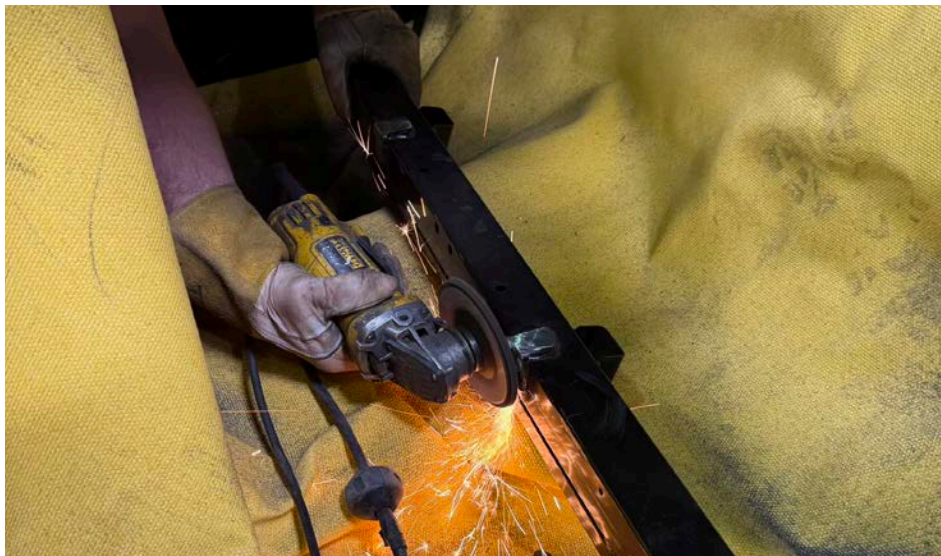


Then, cut the lower seat belt mount off as shown below.



INSTALLATION INSTRUCTIONS

Be sure to grind all cut flush so that there isn't any sharp edges exposed.



INSTALLATION INSTRUCTIONS

After everything has been ground smooth, coat the ground areas with matte black spray paint.

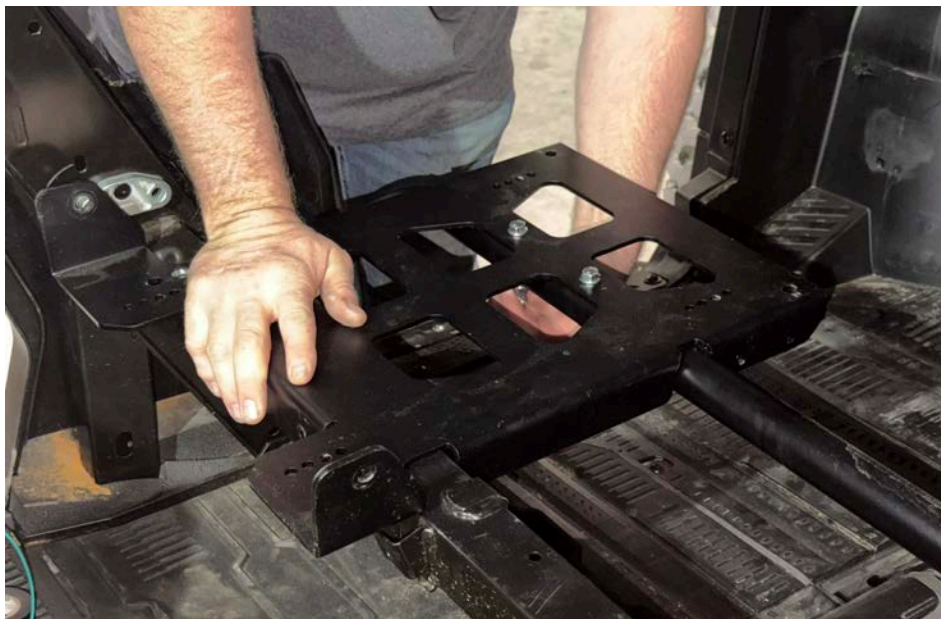


INSTALLATION INSTRUCTIONS

Next, install the new seat base cross member and use the (4) m8 bolts that you retained from earlier in disassembly.

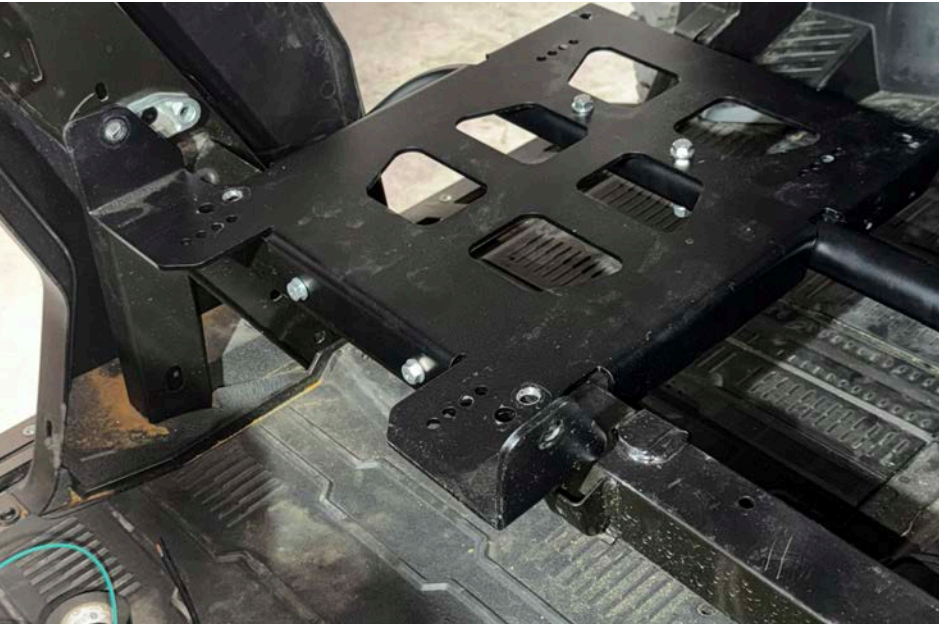


Next, place the base plates in place and loosely fasten them to the cross member using the M8x55mm Carriage bolts provided in the hardware kit.



INSTALLATION INSTRUCTIONS

Now that the base plates are in place, using your drill and the 11/32" drill bit, transfer the holes at the rear base plate and drill through the square tubing. After the holes are drilled, continue fastening the base plates using the M8 x 70mm flanged bolts and nuts.



INSTALLATION INSTRUCTIONS

Now that the base plates are in place, using your drill and the 11/32" drill bit, transfer the holes at the rear base plate and drill through the square tubing. After the holes are drilled, continue fastening the base plates using the M8 x 70mm flanged bolts and nuts. Then, using a 1/2" drill bit, transfer and drill the 1/2in holes in the top of the base plate and through the top side of the square tubing. **DO NOT** drill through the bottom of the square tubing.



INSTALLATION INSTRUCTIONS

Electric Seat Slider Install (OPTIONAL PURCHASE)

Now, you can pre-assemble and install the electric seat slider mounts, if you have purchased those as well. First start the pre-assembly as shown below. First, adjust the sliders so that both mount holes are exposed. Use the cable in the slider kit and a drill to adjust them.



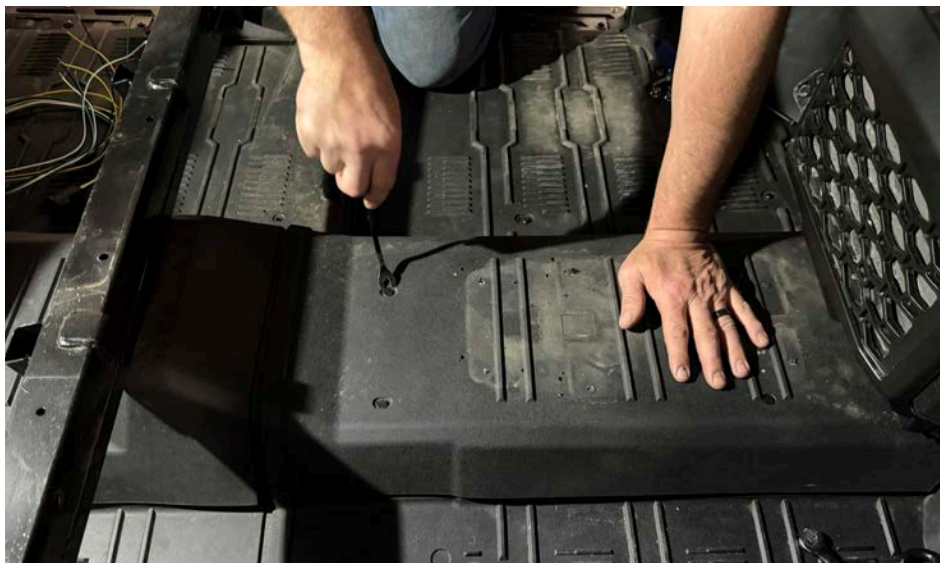
INSTALLATION INSTRUCTIONS

Next, assemble both sliders and the motor with cables as shown below.



INSTALLATION INSTRUCTIONS

Next, prepare to run the wiring harness down through the tunnel in the floor, up through the dash and underneath the front hood.



INSTALLATION INSTRUCTIONS



INSTALLATION INSTRUCTIONS

Next, place the slider into place on top of the base plates. Fasten with the M10 flanged button head screws and nuts



Next, fasten the switch mount brackets onto the outer sides of each base plate using the M6 flanged button head screws and nuts.



INSTALLATION INSTRUCTIONS

Next, place the slider into place on top of the base plates. Fasten with the M6



Seat Slider Wiring

INSTALLATION INSTRUCTIONS



INSTALLATION INSTRUCTIONS



Seat Heater Wiring



INSTALLATION INSTRUCTIONS

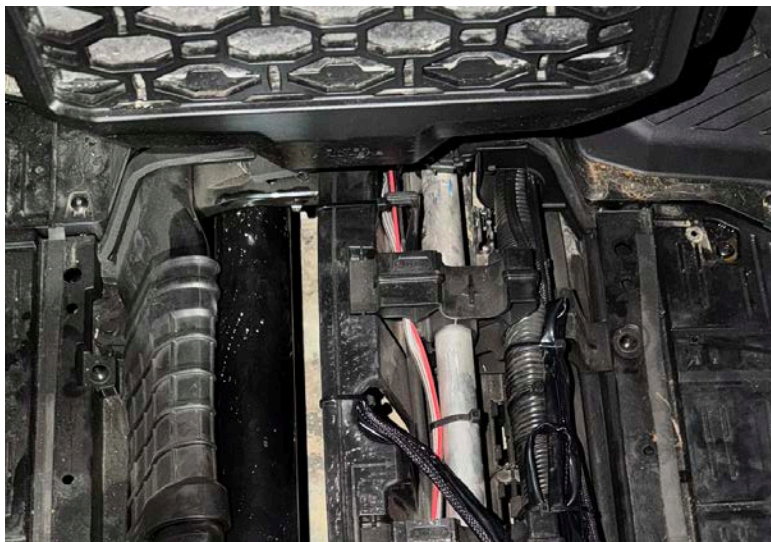


Seat Heater Wiring



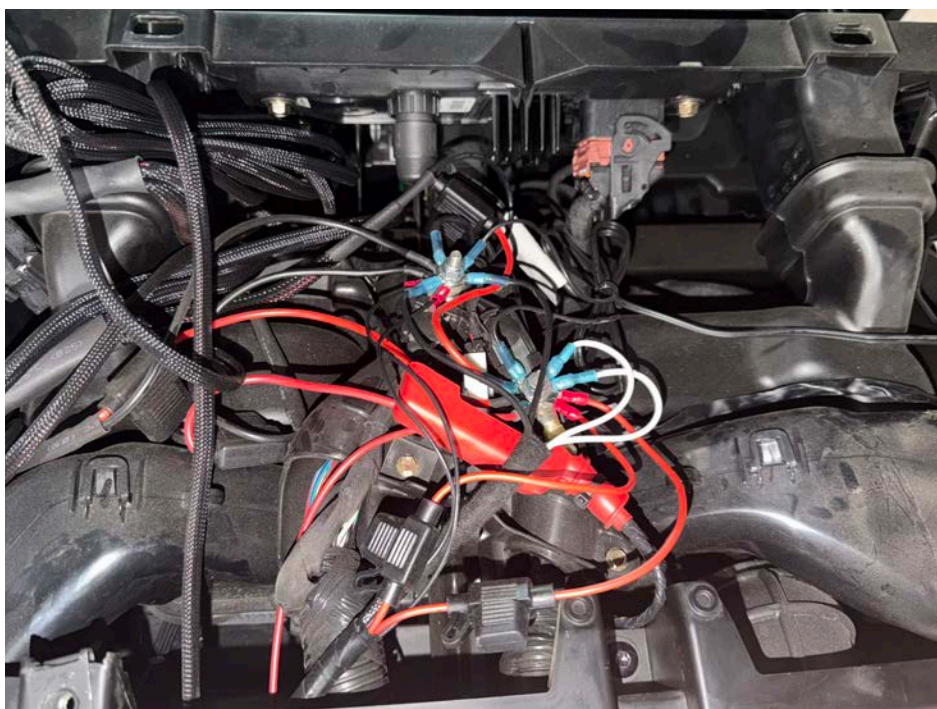
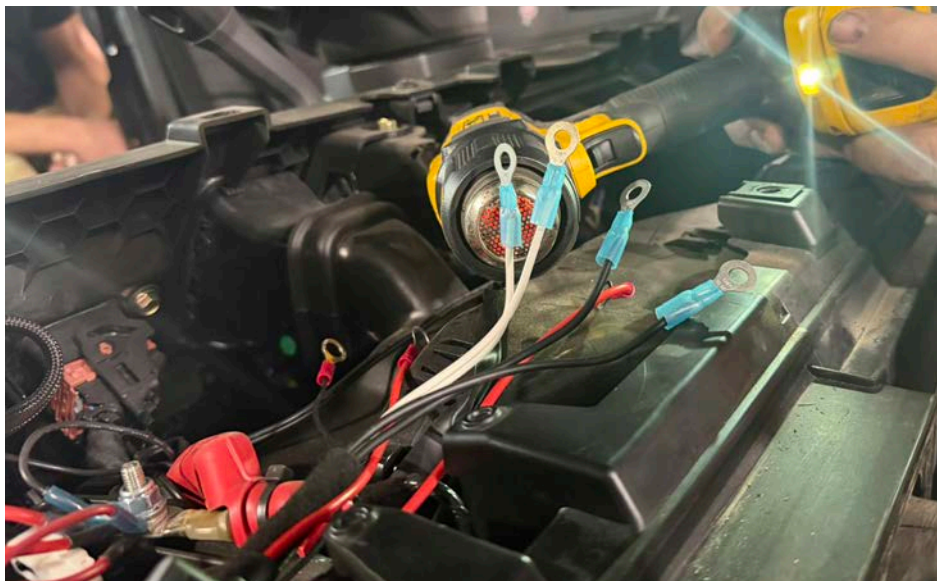
INSTALLATION INSTRUCTIONS

Neatly route the wires along the cross member and down into the tunnel. Ziptie and/or tape everything up neatly and away from any mechanical parts. NOTE: When replacing the floor board, you will need to cut a slit in it so that the wire can come up through it.



INSTALLATION INSTRUCTIONS

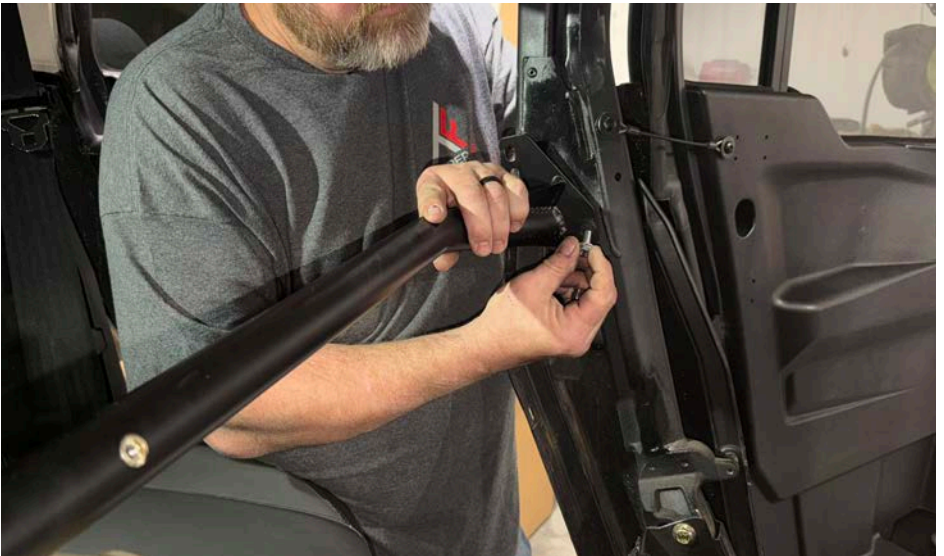
Once all wires are routed underneath the hood, crimp the provided ring terminals onto the end of the wires and connect them as shown.



INSTALLATION INSTRUCTIONS

Next, move onto installing the Harness Bar. Due to the oem cross member being previously cut out, the b-pillars may have sprung outwards. It helps to use a ratchet strap and pull the b-pillars back inward as you are installing the hardware to fasten the new harness bar. Also, be sure to install the rear door striker brackets on top of the harness bar mount brackets as you are installing the hardware.

*** NOTE: IF you do not have a cab model, you may be required to drill (2) (one on each b-pillar) of the m6 rivet nuts out in order to install (2) of the M8 bolts, shown below.



INSTALLATION INSTRUCTIONS



INSTALLATION INSTRUCTIONS

Once the harness bar is in place, the door striker have been adjusted correctly, and all hardware for the harness bar is tight, move onto to installing the Center Console Main Mount. This will require you to drill out (2) pre-existing hole in the top of the square tube that the base plates are sitting on using a 25/64" drill bit. The holes will be about a foot apart in the center of the tube, close to the front side of the tube. Next, after the holes have been enlarged, use the M6 Rivet Nut install tools included in the kit to install (2) round M6 rivet nuts into the tube. Thread the rivet nut onto the screw/install tool. Insert it into the hole and tighten with a 10mm socket. **DO NOT** over tighten or the bolt with stretch and or break.



INSTALLATION INSTRUCTIONS



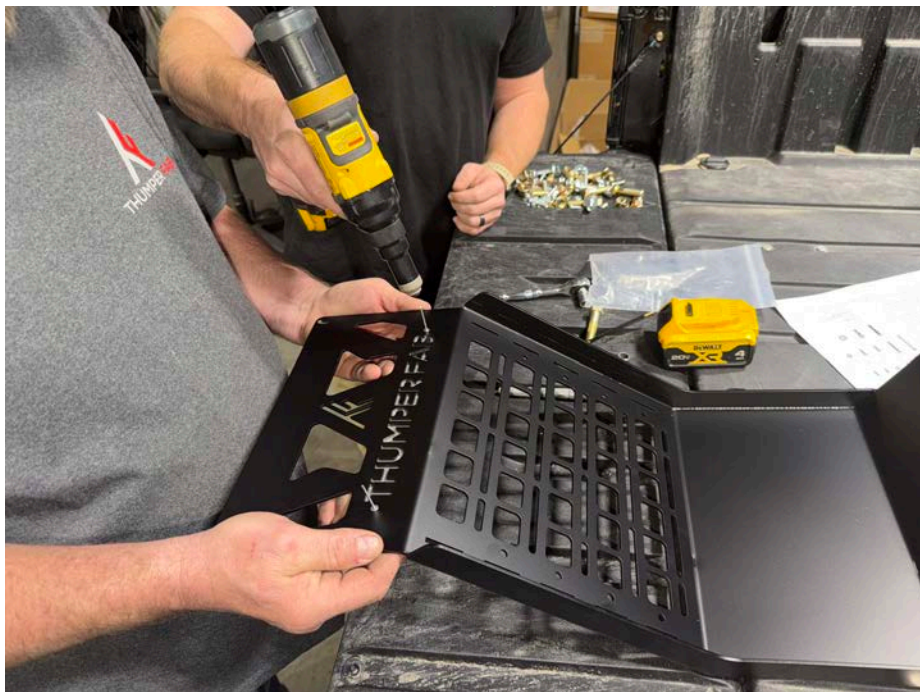
INSTALLATION INSTRUCTIONS

Next, place the Center Console Main Mount in place and fasten with the M6 flanged button head screws provided.



INSTALLATION INSTRUCTIONS

Next, using the provided rivets, rivet the stainless backing plate on the back side of the THUMPER FAB logo.



INSTALLATION INSTRUCTIONS

Next, install the remaining round M6 rivet nuts into the center console and then fasten the Center Console Mount Brackets onto the center console. Using the M6x50mm bolts and nuts, fasten each mount bracket to the center console. The bolts will run through the original "hinge" on the console. Then, mark the remaining holes along each side of the center console. Using the 25/64" drill bit, drill the holes out and install the rivet nuts into the center console. Then, fasten the brackets and tighten hardware. The console can then be attached to the center console main mount and fastened with (2) M6 flanged button head screws and nuts.



INSTALLATION INSTRUCTIONS



Next, install the Simpson seats. If you purchased the electric sliders, place the adapter plate from that kit on the front end of the slider and fasten with (2) M8 locknuts. Then place the seat on top, run (2) M8 carriage bolts through the slots on the seat frame, through the adapter plate and tighten. At the rear of the seat, the rear stud on the slider should pass through the slot on the seat frame. Fasten with (2) more M8 locknuts and tighten. Be sure to connect the seat heater plugs before fastening the seat down.

IF, you DID NOT purchase the electric sliders, then just use (4) carriage bolts per seat. There will be a set of holes on the base plate to use. Find the position that suits you and run the carriage bolts down through the slots in the seat frame and through the base plate. Fasten with M8 locknuts and tighten.



INSTALLATION INSTRUCTIONS



If the electric slider mounts were purchased, place the adapter plate onto the front end of the seat sliders after they have been installed into place. Secure the adapter plate as shown with M8 locknuts provided in the kit. The seat will attach to this bracket at the front of the seat.



INSTALLATION INSTRUCTIONS



Replace all floor board panels and check back over all hardware to ensure that everything is tight.

INSTALLATION INSTRUCTIONS

PRODUCT DISCLAIMER

The installation of products sold or manufactured by Thumper Fabrication, LLC (Thumper Fab) including, but not limited to suspension components such as lift kits, audio roofs, roll cages, frame stiffener kits, and tires that exceed the original specifications for the vehicle, may change the vehicle's center of gravity and handling characteristics both on- and off-road. You are aware that the installation of tires that are larger than original vehicle specifications may reduce the effectiveness of the braking system. Use of these products may place added stress to the original factory vehicle components which could cause them to weaken or possibly fail.

Products sold or manufactured by Thumper Fab are intended for off-road use only. Operation of a vehicle modified with these products on a road could result in serious bodily injury or death, and such operation may violate the laws of your state or municipality. You agree to operate your vehicle exclusively in the manner intended by the vehicle manufacturer. You agree that failure to safely and reasonably operate your vehicle could result in serious bodily injury or death, and that, as a result of installation of this product(s) to your vehicle, extreme care must be taken to prevent vehicle rollover or loss of control, which may be more likely to occur as a result of said modifications. You will avoid unsafe maneuvers, including sudden sharp turns or other abrupt maneuvers, which could make a vehicular accident more likely. You understand that Thumper Fab is not responsible or liable for any damages or any injuries to yourself or your passengers that could occur upon possible accidents due to driver error, incorrect installations, bad judgment, incompatibility with other aftermarket accessories or natural disasters to the fullest extent allowable by law. You will have all vehicle occupants fasten seatbelts, if equipped, and wear proper safety equipment, such as DOT approved helmet and eye protection prior to operating the vehicle. You understand and acknowledge that failure to wear proper safety equipment may increase the risk of serious bodily injury or death to yourself and any passengers.

Proper installation of products sold or manufactured by Thumper Fab requires knowledge of the factory recommended procedures for removal and installation of original equipment components. Installation of these products without proper knowledge and experience may affect the performance of these components and the safety of the vehicle and cause serious bodily injury or death. It is strongly recommended that a certified mechanic familiar with the installation of similar components perform the product(s) installation.

Prior to installing any products sold or manufactured by Thumper Fab, you will perform or cause to be performed an inspection of their vehicle to confirm its condition is suitable for the installation of these products. A proper inspection of the vehicle includes confirmation that the vehicle has not been in a collision and is free of corrosion. If the vehicle is suspected to have been in a collision or misused, or is otherwise unsuitable for modification, you will not install the product(s). You will continue to inspect the vehicle prior to each use to confirm its condition is suitable for its intended use, and you acknowledge that the failure to do so may result in serious bodily injury or death, as well as damage to the vehicle itself.

You will install any warning labels provided with the product so it may be prominently seen by yourself and all passengers. You will notify all passengers of the modifications performed to your vehicle prior to operation.

Insurance companies may handle coverage of a modified vehicle differently. Please check with your insurance carrier prior to modifying the vehicle to ensure your coverage remains sufficient. Installation of this product(s) may void your vehicle warranty. If this is a concern, please check with the manufacturer or dealer before purchase or installation of this product(s).



THUMPER FAB

Thumper Fab
5103 Elysian Fields Rd, Marshall, TX 75672
Customer Service: 903-472-0928

www.thumperfab.com