

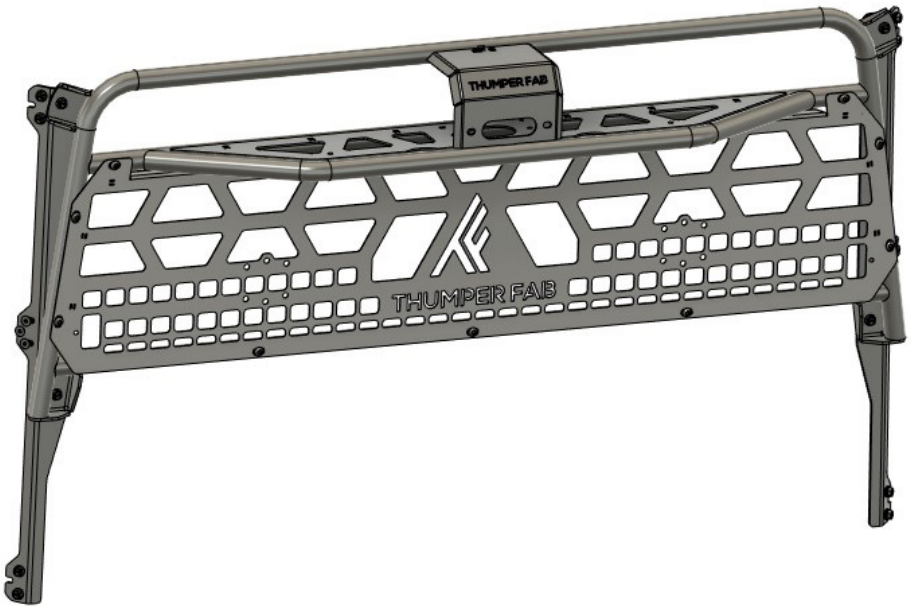


THUMPER FAB

Aluminum Audio Roofs • Roll Cages • UTV Accessories

CF MOTO 600 HEADACHE RACK

SKU: TF261601



Thumper Fab

5103 Elysian Fields Rd, Marshall, Tx 75672

Customer Service: 903-472-0928

www.thumperfab.com

Ver. 0626

CF MOTO 600 HEADACHE RACK



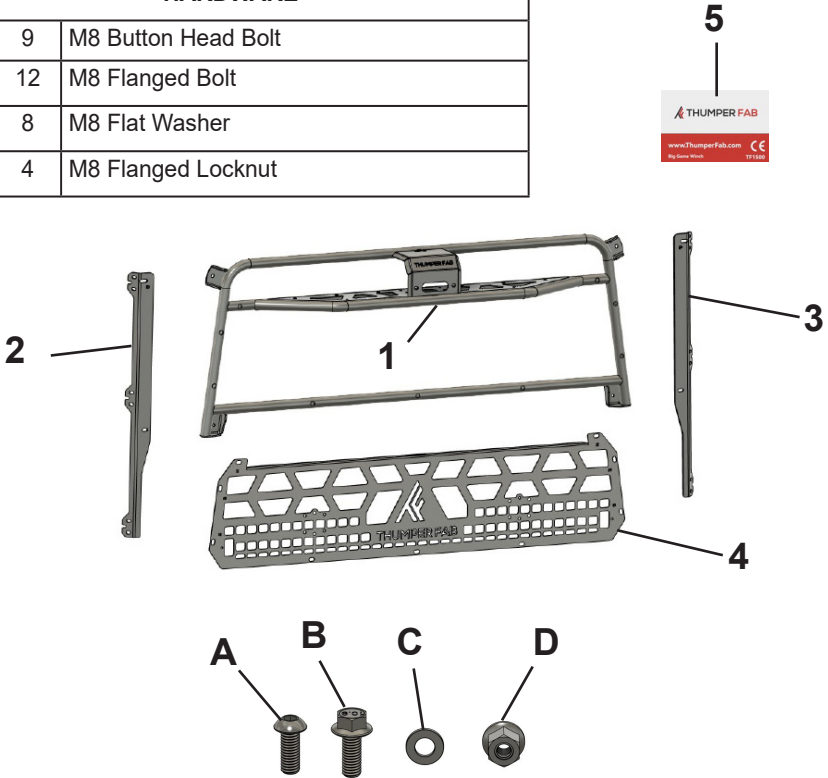
SKU: TF261601

PARTS

REF	QTY	DESCRIPTION
1	1	CF MOTO Headache Rack - WELDED SUB-ASSEMBLY
2	1	Mount Bracket - DRIVER (D)
3	1	Mount Bracket - PASSENGER (P)
4	1	Insert Panel
5	1	Winch
HARDWARE		
A	9	M8 Button Head Bolt
B	12	M8 Flanged Bolt
C	8	M8 Flat Washer
D	4	M8 Flanged Locknut

TOOLS

- 5mm Allen
- 13mm Socket
- 13mm Wrench



BEFORE YOU BEGIN

If you do not feel comfortable installing your **Thumper Fab INSERT PRODUCT**, please see your nearest **INSERT BRAND® Dealer** for

INSTALLATION INSTRUCTIONS

Pre-Assemble Mount Brackets and Headache Rack

First, start by loosely installing the DRIVER & PASSENGER side mount brackets to the headached rack using the M8 Flanged Bolts and M8 locknuts. (FIG. 1, 2, & 3)



FIG. 1



FIG. 2



FIG. 3

INSTALLATION INSTRUCTIONS

Wiring for Winch and Winch Switch

Next, before fastening the insert panel onto the headache rack, you should pre-install the switch onto the insert panel of the headache rack. Use the hardware provided in the winch kit. (FIG. 4 & 5)



FIG. 4



FIG. 5

Next, install the insert panel. Place the insert panel so that the slots align with the rivet nuts in the tubes and then fasten with the M8 button head screws. (FIG. 7 & 8)

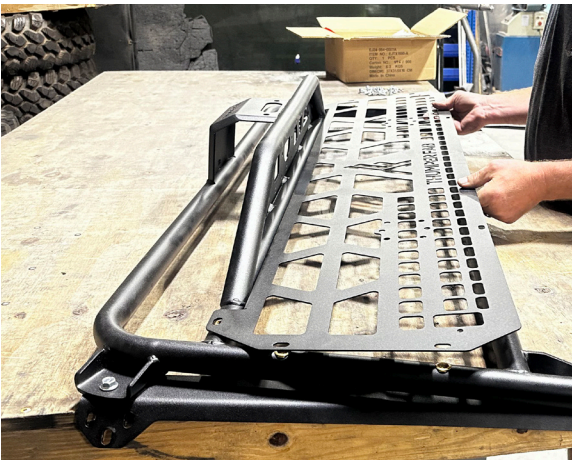


FIG. 7



FIG. 8

Pre-install Winch and Fairlead

Next, install the winch and winch fairlead onto the headache rack as shown. Use the hardware provided in the winch kit. (FIG. 9-14)



FIG. 9

INSTALLATION INSTRUCTIONS



FIG. 10



FIG. 11

INSTALLATION INSTRUCTIONS



FIG. 12



FIG. 13

INSTALLATION INSTRUCTIONS



FIG. 14

Install Headache Rack onto the Unit

Next, with the help of someone else, lift the headache rack into place. Using the M8 Flanged Bolts, fasten the headache rack onto the rear of the roll cage. There are threaded inserts on the cage already. Install all hardware loosely at first. Once all hardware has been installed, then tighten. (FIG. 15-17)



FIG. 15

INSTALLATION INSTRUCTIONS



FIG. 16



FIG. 17

Figures 16 & 17 show a unit without the OEM Door option. Option shown is with OEM Door nets. See next page for OEM Door option installation.

INSTALLATION INSTRUCTIONS

Installation for Unit With OEM Door option.

If your unit has the OEM Door option, you will need to remove the door hinges and the components that attach the upper door hinge to the roll cage. See below. (Fig. 18-22)



FIG. 18

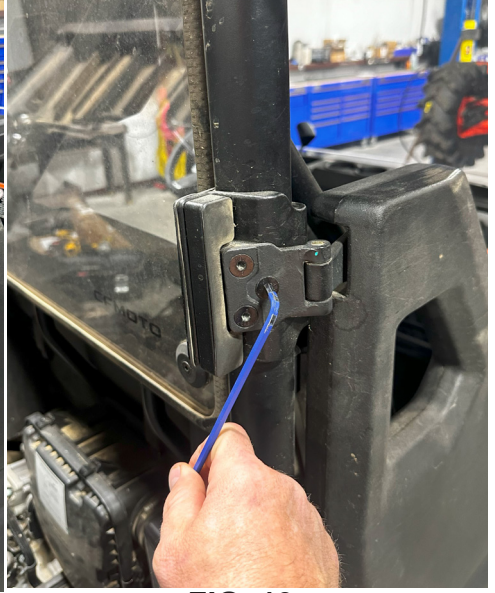


FIG. 19



FIG. 20



FIG. 21

INSTALLATION INSTRUCTIONS



FIG. 22

Installation for Unit With OEM Door option.

Next, it is best to remove the upper hinge from the door and attach it to the headache rack mount bracket. See below. (Fig. 23 & 24)



FIG. 23



FIG. 24

INSTALLATION INSTRUCTIONS

Installation for Unit With OEM Door option.

Next, after the upper door hinges have been attached to the mount brackets, fasten the mount brackets to the head ache rack and install the headache rack as shown on page 8, fig. 15. The difference will be that you will place the OEM door hinges over the mount brackets to the headache rack and use more of the M8 Flathead bolts at the lower most mount point to fasten to the roll cage. See below. (Fig.



FIG. 25



FIG. 26



FIG. 27

INSTALLATION INSTRUCTIONS

Installation

If you have received a “new” style winch contactor box, there is no small red wire to connect to an ignition source. Simply wire the winch contactor box to the battery with the short red and black wires and connect the manual switch to the winch contactor box.



Winch Wiring

Once the winch harness is plugged into the winch contactor box, tighten the cable to the winch contactor box using your hands only. Pliers may strip the threads and should be avoided.



INSTALLATION INSTRUCTIONS

Winch Wiring

Do not refer to wiring instructions contained in the winch box as it is not suitable for this application. Reference the following wiring diagram for wiring instructions for the winch (**FIG 18**).

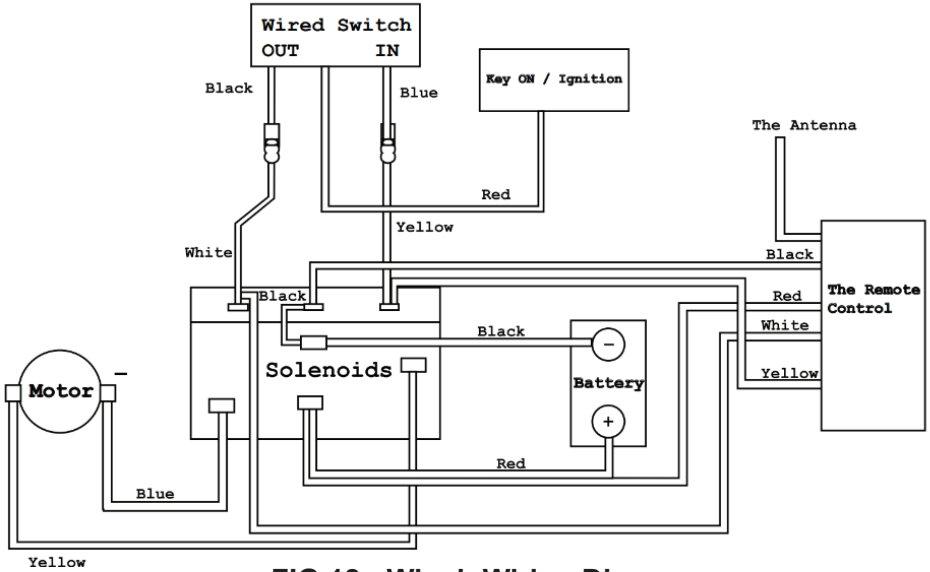
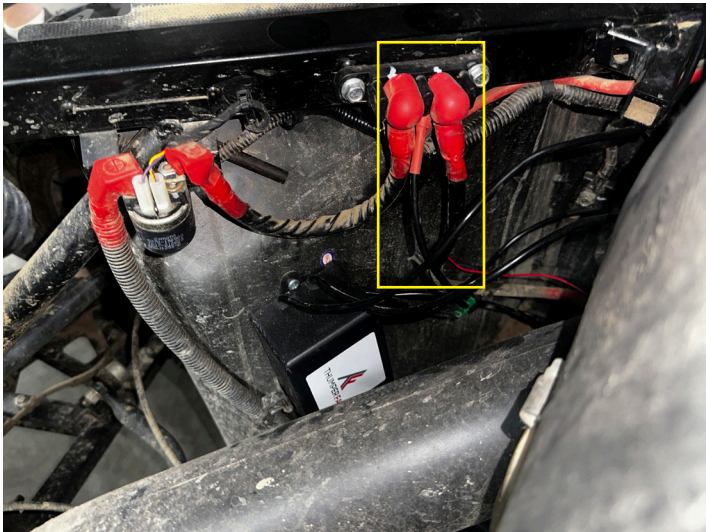


FIG 18 - Winch Wiring Diagram



Positive wire to bus bar

INSTALLATION INSTRUCTIONS

Connect the red wire to the key on hot wire in the oem taillight wiring harness. Use a test light or multimeter to determine which wire is the key on hot wire.



OPTIONAL - Cube Lights

Using the hardware provided in the cube light box, fasten the cube light to the headache rack. Use the provided slots found in the winch mount plate to zip tie the cube light wires to the headache rack (FIG 18 & FIG 19)



FIG 18 - Fasten Cube Light to Headache Rack



FIG 19 - Ziptie Cube Light Pigtail to Headache Rack

Wiring Harness

Wiring harness provided to power your cube lights includes a switch and terminals for connection to power and ground terminals (FIG 20).

INSTALLATION INSTRUCTIONS

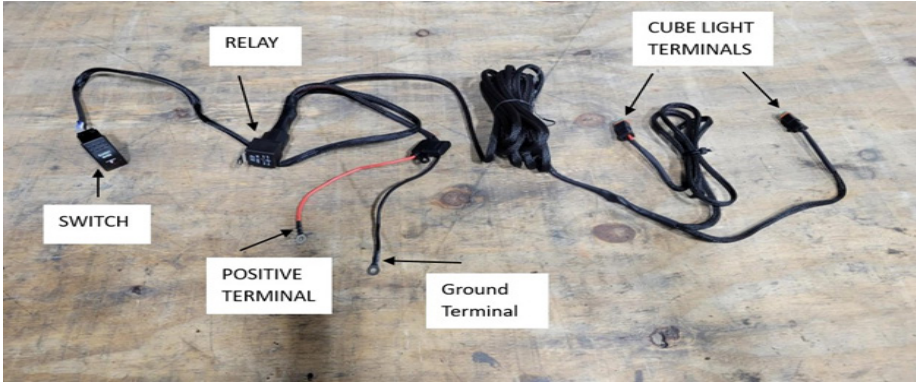


FIG 20 - Wiring Harness Break Down of Plugs and Terminals

Connect the red wire to the key hot terminal on the bus bar or positive post on battery. Connect the black wire to the a ground on the frame or negative post of battery.

For the position of the switch, select a slot in the dash for your switch. Wires should be as shown below, black on top, white in the middle, and blue on bottom. Snap switch into dash. Be sure all wires have been routed neatly and zip tied up and out of the way. **(FIG 19).**



FIG 19 - Select slot for switch, check wiring before installation. Snap switch into slot in dash.



THUMPER FAB

Thumper Fab

5103 Elysian Fields Rd, Marshall, Tx 75672
Customer Service: 903-472-0928

www.thumperfab.com