

John Deer Gator
Headache Rack

SKU: TF251601



Thumper Fab

5103 Elysian Fields Rd, Marshall, TX 75672

Customer Service: 903-472-0928

John Deere Gator Headache Rack

SKU: TF251601



PARTS

REF	QTY	DESCRIPTION
1	1	Headache Rack Frame
2	1	Headache Rack - Insert Panel
3	1	Lower Driver - Inner Bracket
4	1	Lower Passenger - Inner Bracket
5	1	TF Big Game Winch
HARDWARE KIT		
A	4	M6x20mm Flange Head Bolts
B	4	M6 Split Lock Washer
C	4	M8 Flange Nylon lock Nut
D	4	M8x60mm Flange Head Bolt
E	9	M8x20mm Button Head Screw
F	4	3/8" Standoffs
G	2	1/2" Standoffs
H	2	Lower Spacers

TOOLS

- Drill
- 3/8" Drill Bit
- 3/4" Drill Bit or Step Up Bit
- 10mm Socket
- 13mm Socket and Wrench
- 5mm Allen Wrench

Torque Specs:

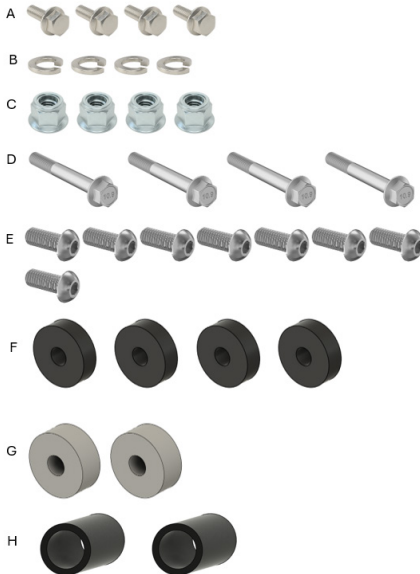
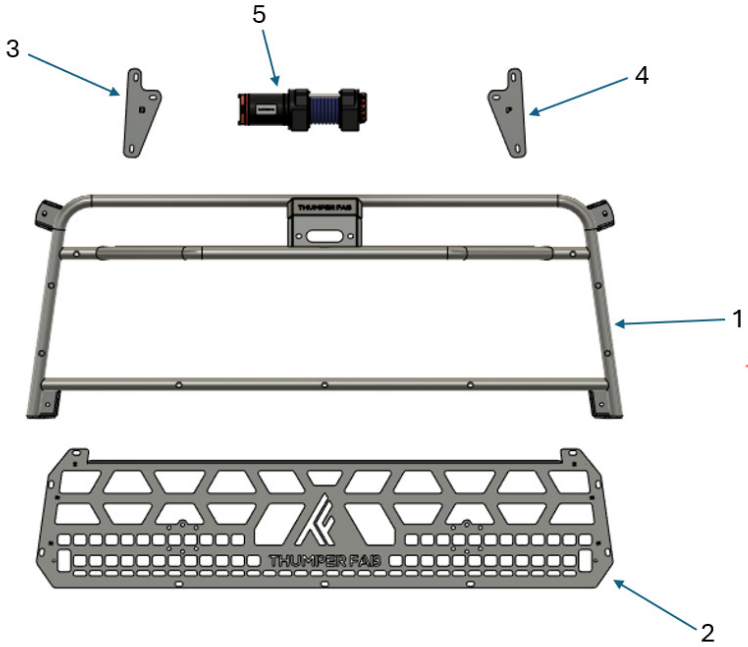
SIZE (STANDARD)	GRADE 5	GRADE 8	SIZE (METRIC)	CLASS 8.8	CLASS 10.9
5/16"	15 ft/lbs	20 ft/lbs	6MM	5 ft/lbs	9 ft/lbs
3/8"	30 ft/lbs	35 ft/lbs	8MM	18 ft/lbs	23 ft/lbs
7/16"	45 ft/lbs	60 ft/lbs	10MM	32 ft/lbs	45 ft/lbs
1/2"	65 ft/lbs	90 ft/lbs	12MM	55 ft/lbs	75 ft/lbs
9/16"	95 ft/lbs	130 ft/lbs	14MM	85 ft/lbs	120 ft/lbs
5/8"	135 ft/lbs	175 ft/lbs	16MM	130 ft/lbs	165 ft/lbs
3/4"	185 ft/lbs	280 ft/lbs	18MM	170 ft/lbs	240 ft/lbs

BEFORE YOU BEGIN

If you do not feel comfortable installing your Thumper Fab Headache Rack, please see your nearest John Deere® Dealer for installa-

John Deere Gator Headache Rack

SKU: TF251601



INSTALLATION INSTRUCTIONS

Installation Preparation

Locate the OEM holes in the bottom left and right corners of the rear cab plastic panel. Drill the hole using a 3/8" drill bit (**FIG 1**).



FIG 1 - Drill lower holes through rear panel using a 3/8" Drill Bit

Insert 2 x M8x60mm flange head bolts through the lower 2 mounting holes in the headache rack frame and through the rear panel. Use the headache rack frame as a template to locate where to drill the upper holes through the rear panel. Once headache rack frame is in position resting fully against rear panel, drill holes using a 3/8" drill bit (**FIG 2**).



FIG 2 - Drill upper holes through rear panel using a 3/8" Drill Bit

INSTALLATION INSTRUCTIONS

Installation Preparation

Drill out the lower holes using a 3/4" drill bit or a step up bit. It may be necessary to drill from both the inside and the outside to achieve a clean finish (FIG 3 & FIG 4).



FIG 3 & FIG 4 - Drill lower holes through rear panel using a 3/4" Drill Bit or a Step Up Bit

Remove 4 x OEM flange head bolts that fasten the rear panel to the frame mount bracket using a 13mm socket (both driver and passenger side). Set bolts aside as they will be reused (FIG 5 & FIG 6).

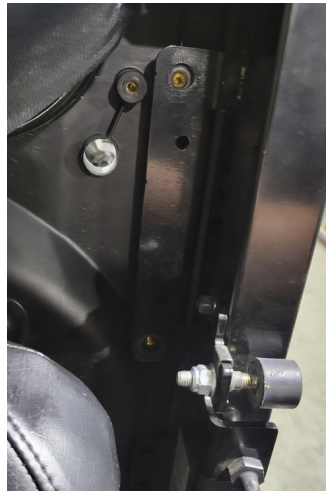


FIG 5 & FIG 6 - Remove OEM Flange Head Bolts and set aside

INSTALLATION INSTRUCTIONS

Installation Preparation

Mount the lower driver and passenger - inner brackets using the 4 x OEM bolts removed in the previous step. Tighten using a 13mm socket (FIG 7 & FIG 8).



FIG 7 & FIG 8 - Mount Lower Driver and Passenger Inner Brackets

Install 2 x lower spacer into lower holes drilled in rear panels until they contact the backside of the inner brackets installed in previous step (FIG 9).



FIG 9 - Insert Lower Spacers through Rear Panel

INSTALLATION INSTRUCTIONS

Installation Preparation

Fasten the insert panel to the headache rack frame using 9 x M8x20mm button head screws. Tighten using a 5mm allen wrench (**FIG 10**).

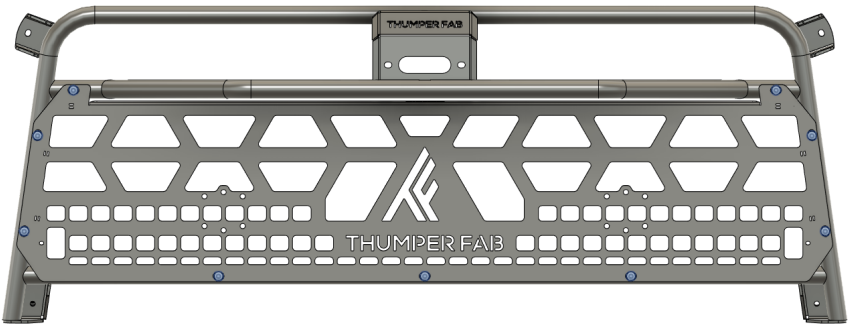


FIG 10 - Fasten the Insert Panel to the Headache Rack Frame

Fasten the fairlead to the headache rack frame using hardware provided in the winch box (**FIG 11**).

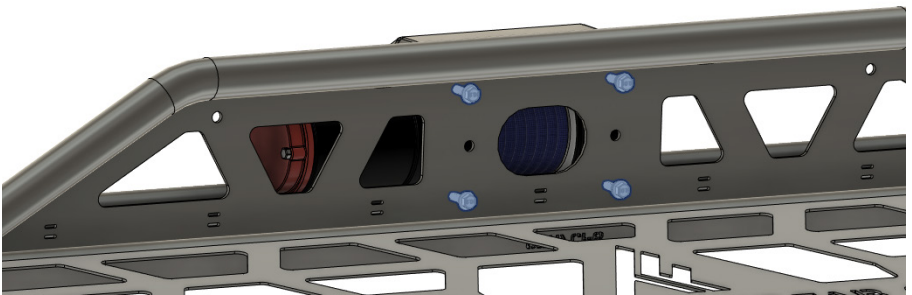


FIG 11 - Fasten Fairlead to Headache Rack Frame

INSTALLATION INSTRUCTIONS

Installation Preparation

Fasten the winch to the heache rack using 4 x M6x20mm flange head bolts and 4 x M6 lock washers. Tighten using a 10mm socket (**FIG 12**).



FIG 12 - Fasten the Winch to the Headache Rack Frame

Fasten the winch stop and winch hook to the winch cable using hardware provided in the winch box (**FIG 13**).



FIG 13 - Fasten Winch Stop and Winch Hook to the Winch Cable

INSTALLATION INSTRUCTIONS

Installation Preparation

Mount the optional cube lights to the winch mount plate if light option was selected. Use the hardware and tools provided in the cube light box (FIG 14).



FIG 14 - Mount the Cube Lights to the Headache Rack Frame (OPTIONAL)

Fasten the headache rack to the vehicle lower mounts using 2 x M8x60mm flange head bolts and 2 x M8 flange nylon lock nuts. (FIG 15).



FIG 15 - Fasten Headache Rack Lower Mounts to Vehicle

INSTALLATION INSTRUCTIONS

Installation

Mount the upper headache rack mount to the vehicle with the 1/2" standoff between the headache rack frame and the rear panel of the vehicle (**FIG 16**).



FIG 16 - Mount the Headache Rack Upper Mounts to the vehicle

On the inside of the vehicle, stack 2 x 3/8" standoffs on each side between the inside of the plastic rear panel and the metal frame mount the M8x65mm flange head bolt will pass through before tightening with a 13mm socket and wrench (**FIG 17**).

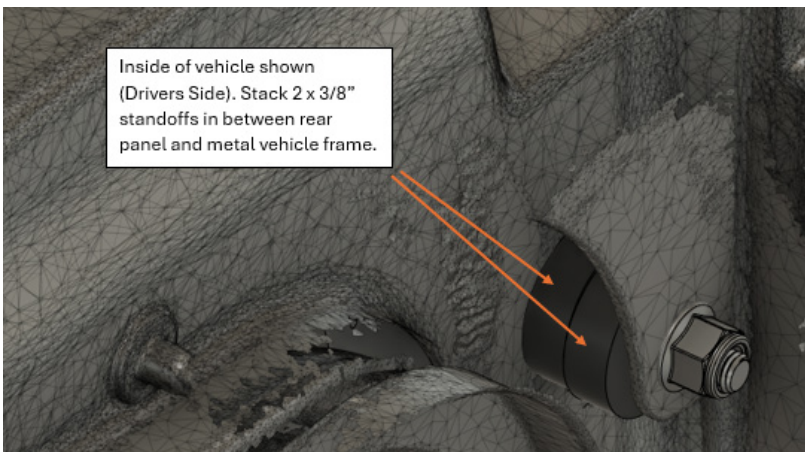


FIG 17 - Fasten Headache Rack Upper Mounts to Vehicle

INSTALLATION INSTRUCTIONS

Installation

If you have received a “new” style winch contactor box, there is no small red wire to connect to an ignition source. Simply wire the winch contactor box to the battery with the short red and black wires and connect the manual switch to the winch contactor box (**FIG 18**).



FIG 18 - Plug manual switch harness into winch contactor box

Winch Wiring

Once the winch harness is plugged into the winch contactor box, tighten the cable to the winch contactor box using your hands only. Pliers may strip the threads and should be avoided (**FIG 19**).



FIG 19 - Tighten switch harness to contactor box

INSTALLATION INSTRUCTIONS

Winch Wiring

Do not refer to wiring instructions contained in the winch box as it is not suitable for this application. Reference the following wiring diagram for wiring instructions for the winch (**FIG 20**).

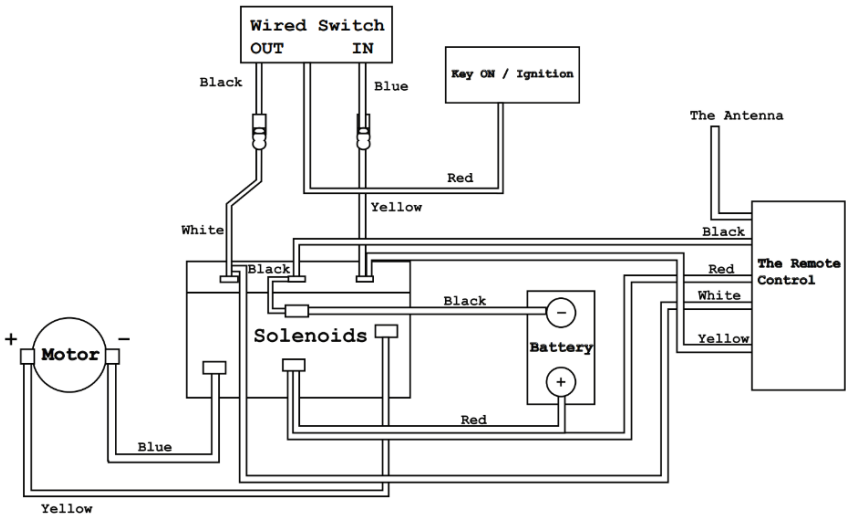


FIG 20 - Winch Wiring Diagram

INSTALLATION INSTRUCTIONS

PRODUCT DISCLAIMER

The installation of products sold or manufactured by Thumper Fabrication, LLC (Thumper Fab) including, but not limited to suspension components such as lift kits, audio roofs, roll cages, frame stiffener kits, and tires that exceed the original specifications for the vehicle, may change the vehicle's center of gravity and handling characteristics both on- and off-road. You are aware that the installation of tires that are larger than original vehicle specifications may reduce the effectiveness of the braking system. Use of these products may place added stress to the original factory vehicle components which could cause them to weaken or possibly fail.

Products sold or manufactured by Thumper Fab are intended for off-road use only. Operation of a vehicle modified with these products on a road could result in serious bodily injury or death, and such operation may violate the laws of your state or municipality. You agree to operate your vehicle exclusively in the manner intended by the vehicle manufacturer. You agree that failure to safely and reasonably operate your vehicle could result in serious bodily injury or death, and that, as a result of installation of this product(s) to your vehicle, extreme care must be taken to prevent vehicle rollover or loss of control, which may be more likely to occur as a result of said modifications. You will avoid unsafe maneuvers, including sudden sharp turns or other abrupt maneuvers, which could make a vehicular accident more likely. You understand that Thumper Fab is not responsible or liable for any damages or any injuries to yourself or your passengers that could occur upon possible accidents due to driver error, incorrect installations, bad judgment, incompatibility with other aftermarket accessories or natural disasters to the fullest extent allowable by law. You will have all vehicle occupants fasten seatbelts, if equipped, and wear proper safety equipment, such as DOT approved helmet and eye protection prior to operating the vehicle. You understand and acknowledge that failure to wear proper safety equipment may increase the risk of serious bodily injury or death to yourself and any passengers.

Proper installation of products sold or manufactured by Thumper Fab requires knowledge of the factory recommended procedures for removal and installation of original equipment components. Installation of these products without proper knowledge and experience may affect the performance of these components and the safety of the vehicle and cause serious bodily injury or death. It is strongly recommended that a certified mechanic familiar with the installation of similar components perform the product(s) installation.

Prior to installing any products sold or manufactured by Thumper Fab, you will perform or cause to be performed an inspection of their vehicle to confirm its condition is suitable for the installation of these products. A proper inspection of the vehicle includes confirmation that the vehicle has not been in a collision and is free of corrosion. If the vehicle is suspected to have been in a collision or misused, or is otherwise unsuitable for modification, you will not install the product(s). You will continue to inspect the vehicle prior to each use to confirm its condition is suitable for its intended use, and you acknowledge that the failure to do so may result in serious bodily injury or death, as well as damage to the vehicle itself.

You will install any warning labels provided with the product so it may be prominently seen by yourself and all passengers. You will notify all passengers of the modifications performed to your vehicle prior to operation.

Insurance companies may handle coverage of a modified vehicle differently. Please check with your insurance carrier prior to modifying the vehicle to ensure your coverage remains sufficient. Installation of this product(s) may void your vehicle warranty. If this is a concern, please check with the manufacturer or dealer before purchase or installation of this product(s).



THUMPER FAB

Thumper Fab

5103 Elysian Fields Rd, Marshall, TX 75672

Customer Service: 903-472-0928

www.thumperfab.com