

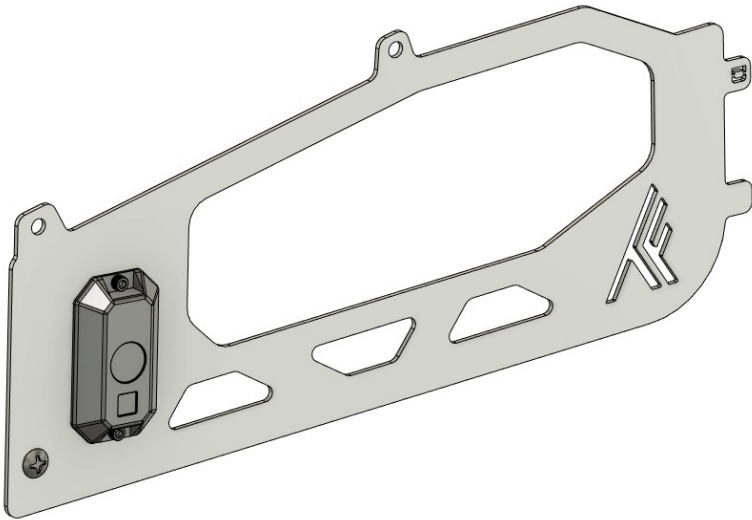


# THUMPER FAB

Aluminum Audio Roofs • Roll Cages • UTV Accessories

## CanAm Maverick R Rear Cargo Light Panel Kit

SKU: TF240902



### Thumper Fab

5103 Elysian Fields Rd, Marshall, Tx 75672

Customer Service: 903-472-0928

[www.thumperfab.com](http://www.thumperfab.com)

# CanAm Maverick R Rear Cargo Light Panel Kit



SKU: TF240902

## PARTS

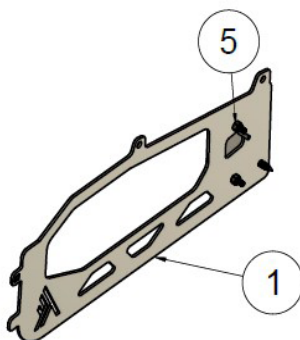
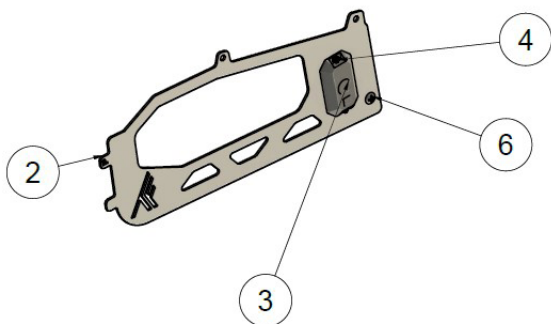
REF	QTY	DESCRIPTION
1	1	Panel - DRIVER (D)
2	1	Panel - PASSENGER (P)
3	2	Push Button Dome Light
4	1	Wiring Harness
HARDWARE		
5	4	#8-32 x 3/4 Socket Cap Screw
6	4	#8-32 Nylon Insert Lock Nut
7	2	#14 x 3/4" Truss Head Phillips Screw

## TOOLS

- 9/64" Allen Wrench
- 11/32" Wrench or Socket
- Phillips Head Screwdriver
- T30 Torx
- Dremel/Die Grinder

## BEFORE YOU BEGIN

If you do not feel comfortable installing your Thumper Fab Rear Cargo Light Panel Kit, please see your nearest Polaris Dealer for installation.



# INSTALLATION INSTRUCTIONS

## Enlarge drain holes for light plugs

Begin the installation by locating the small rectangular drain holes in the rear corner of each cargo hold. Next, take one of the lights from the kit and trace an outline of the end of the plug to use as a guide to enlarge each drain hole enough so that the plug fits through the holes.



FIG 1



FIG 2



FIG 3



FIG 4

# INSTALLATION INSTRUCTIONS

## Install lights into panels

First, run the light wire through the square hole in panel, then fasten with the #8-32 hardware. Be careful not to over tighten hardware. Tightening too much can crack the light housing. Using the rubber bases included in light boxes is optional.



FIG 5



FIG 6

## Install panels into bed sides

First start by taking the (4) M6 torx screws using the T30 Torx and set them aside. Next, insert the two tabs at the end of the panel into the two rectangular slots at the front of the cargo hold. Then re-fasten the M6 torx screws. Next, using the phillips head screwdriver and the phillips head screw, screw the screw into the plastic through the corner hole in the panel until tight. Apply some pressure while turning the screw and it will thread into plastic.



FIG 7



FIG 8

# INSTALLATION INSTRUCTIONS



## Install wiring harness

**\*\*\*Quick Tip\*\*\*** Removing the driver seat will make installation of wiring harness and gaining access to the battery a lot easier.

To begin installing the wiring harness, take the end of the wiring harness with the ring terminals and fuse block and run it through the rectangular slot above the battery. Insert the wires through slot from the rear of the rear firewall into the the cab area. Next, run the wiring harness up behind the airbox and mimic the path of the existing tail light harness. Using zip ties, fasten the harness neatly along the existing harness all the way to the driver tail light, then across the rear of the bed, behind the plastics, to the passenger side of the vehicle. Plug in the dome deutsch plugs for both dome lights and make sure the wiring harness is fastened neatly so that nothing is hanging.

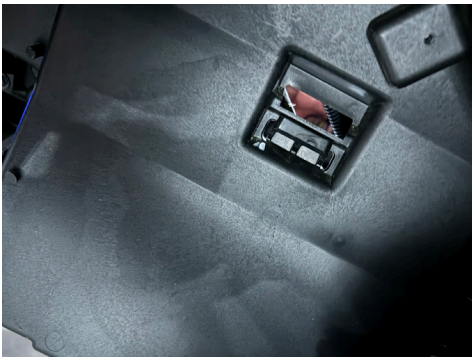


FIG 10

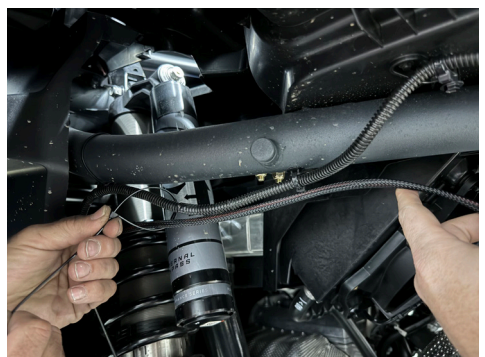


FIG 11

# INSTALLATION INSTRUCTIONS



FIG 11 (Passenger side)

## Connecting wire to battery

Before connecting ring terminals to the battery, first remove the fuse from the fuse block on wiring harness. Next, attach the positive ring terminal (**red**) to the positive post, and the negative ring terminal (**black**) to the negative post on battery. Then replace battery access panel and the driver seat (if removed before installation).

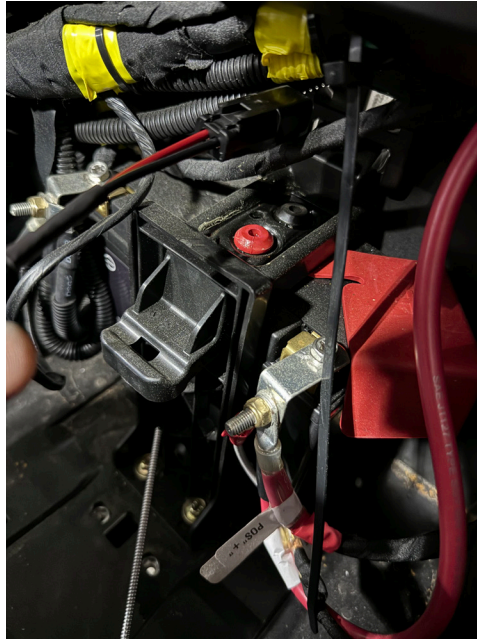


FIG 12



**THUMPER FAB**

**Thumper Fab**

5103 Elysian Fields Rd, Marshall, Tx 75672

Customer Service: 903-472-0928

[www.thumperfab.com](http://www.thumperfab.com)