



THUMPER FAB

Aluminum Audio Roofs • Roll Cages • UTV Accessories

CanAm Maverick R Rear Bumper

SKU: TF240601



Thumper Fab

5103 Elysian Fields Rd, Marshall, Tx 75672

Customer Service: 903-472-0928

www.thumperfab.com

CanAm Maverick R Rear Bumper



SKU: TF240601

PARTS

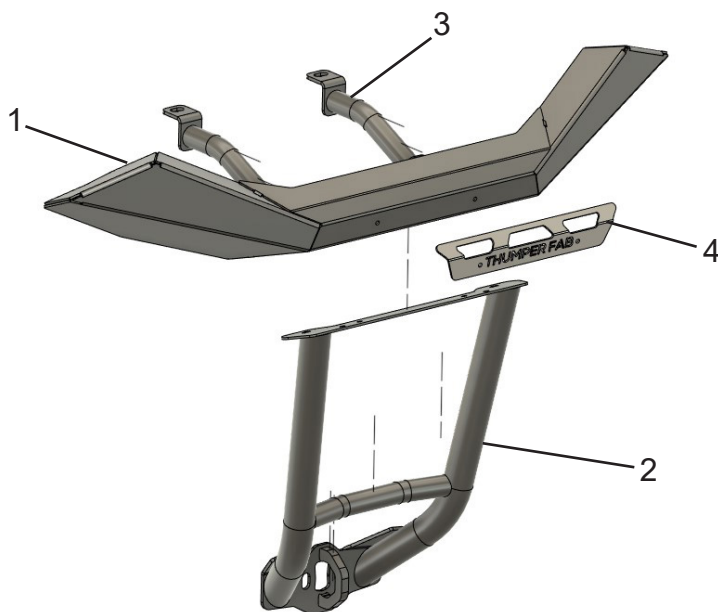
REF	QTY	DESCRIPTION
1	1	MAIN BUMPER BODY
2	1	LOWER BUMPER ASSEMBLY
3	2	UPPER MOUNT TUBE ASSEMBLY
4	1	ACCENT PANEL

TOOLS

- 5mm Allen Wrench
- 13mm Wrench or Socket
- 15mm Wrench or Socket
- 21mm Socket
- Impact

BEFORE YOU BEGIN

If you do not feel comfortable installing your **Thumper Fab** REAR BUMPER, please see your nearest Polaris Dealer for installation.



CanAm Maverick R Rear Bumper



SKU: TF240601

HARDWARE

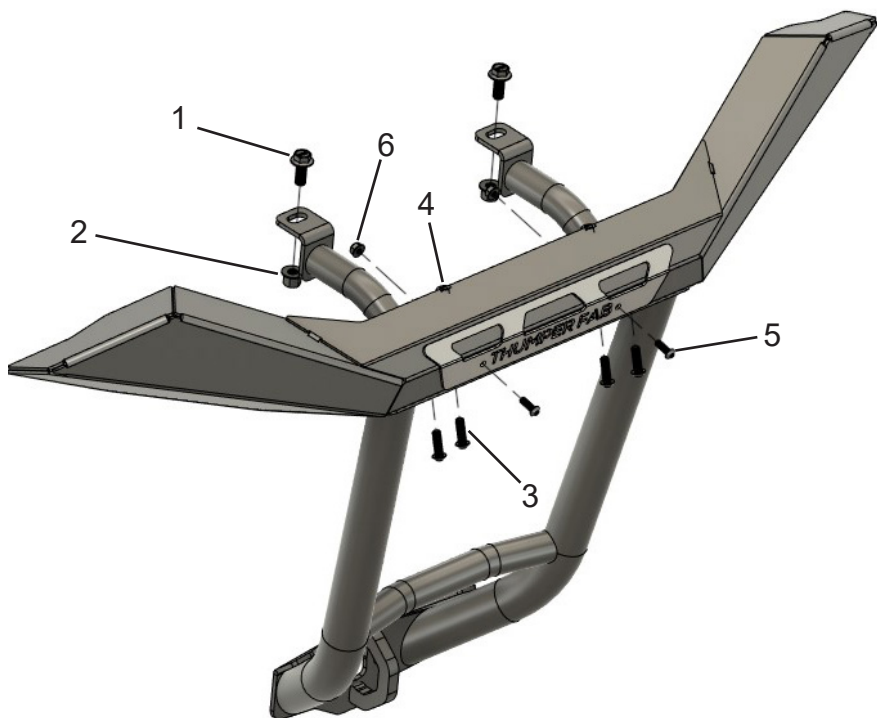
REF	QTY	DESCRIPTION
1	2	M10 x 25mm Bolt
2	2	M10 Locknut
3	4	M8 x 25mm Button Head Bolt
4	2	M8 Locknut
5	2	1/4" - 20 x 3/4" Button Head Screw
6	2	1/4" - 20 Locknut

TOOLS

- 5mm Allen Wrench
- 13mm Wrench or Socket
- 15mm Wrench or Socket
- 21mm Socket
- Impact

BEFORE YOU BEGIN

If you do not feel comfortable installing your **Thumper Fab** REAR BUMPER, please see your nearest Polaris Dealer for installation.



INSTALLATION INSTRUCTIONS

Pre-Assemble Bumper

Begin the installation by pre-assembling the bumper before installing onto the unit. Start by attaching the main bumper assembly and the lower bumper assembly together. Hardware used for this will be (2) M8 button head bolts, and (2) M8 Locknuts. Place the main bumper body on top of the lower bumper assembly as shown. Insert the M8 bolts up through the lower bumper and into the main bumper using the inner most holes. Thread the M8 Locknut onto the bolts, but leave slightly loose for now. Next, install the upper mount tubes onto the bumper. These will attach on the inside or backside of the main bumper body. Using the other (2) M8 button head bolts, insert them through the remaining, outer most holes and thread into the ends of the Upper Mount Tubes. Leave these loose as well. Last, attach the accent panel with the 1/4"-20 hardware.

Install Pre-assembled Bumper

First start by using a jack to lift the rear end of the unit off the ground. Next, using a 21mm socket and an impact, remove the top radius rod bolts and set them aside. It would make the installation easier if you have someone assist you when placing and holding the bumper in place. Next, insert the upper mount tubes through the two access holes in the rear plastics. Attach the upper mount tubes to the chassis using the M10 hardware in the kit. See below, red box. (FIG 1&2)



FIG 1



FIG 2

Next, re-install the radius rod bolts and tighten all hardware. As you are tightening the hardware, be sure to make any adjustments needed to align the bumper with plastics, etc.



THUMPER FAB

Thumper Fab

5103 Elysian Fields Rd, Marshall, Tx 75672

Customer Service: 903-472-0928

www.thumperfab.com