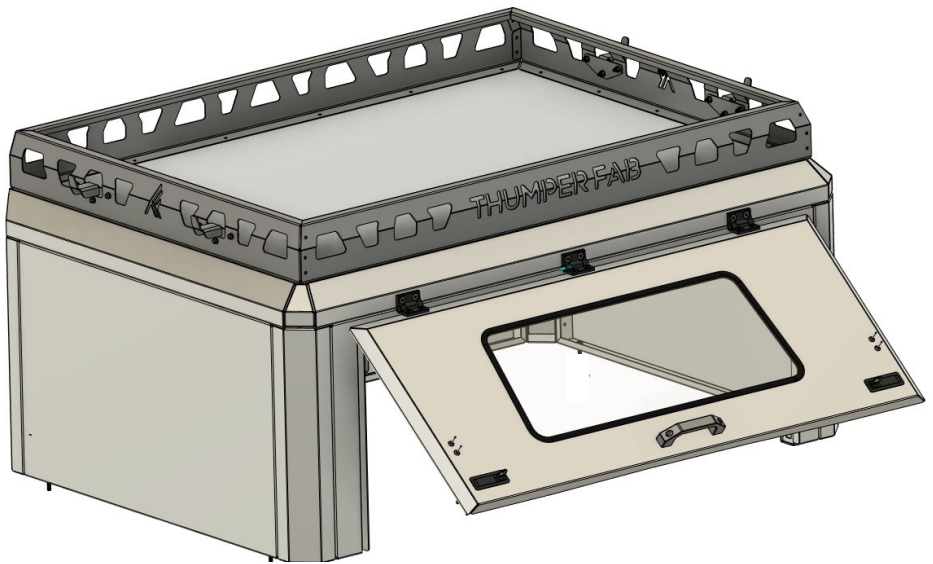


**Polaris Ranger 1500XD**  
**Bed Box**

SKU: TF233001



**Thumper Fab**  
5103 Elysian Fields Rd, Marshall, Tx 75672  
Customer Service: 903-472-0928

# Polaris Ranger 1500XD Bed Box



SKU: TF233001

## PARTS

REF	QTY	DESCRIPTION
1	1	TOP
2	1	REAR PANEL
3	1	FRONT PANEL
4	2	SIDE PANEL
5	4	CORNER
6	1	REAR DOOR
7	1	BACK FLANGE
<b>ASSEMBLY COMPONENTS</b>		
8	6	Lock & Ride MAX
9	3	HINGES
10	1	HANDLE
11	2	GAS STRUTS
12	2	LATCHES
13	2	CUP HOLDER PLUG
<b>HARDWARE</b>		
B	7	M8x25mm Flanged Hex Head Bolt
A	6	M8x14mm Flanged Hex Head Bolt
D	3	M8 Washer
C	7	M8 Locknut
E	12	M8x1.25mmx20mm Flat Head Screw
F	12	M8x1.25mm Low Profile Locknut
G	2	1/4"-20 x 1-1/4" Button Head Screw
H	68	1/4"-20 x 3/4" Flanged Screw
I	70	1/4"-20 Locknut
J	2	#8-32 x 3/4" Hex Drive Screw
K	2	#8-32 Locknut

## TOOLS

- 8mm Wrench
- 12mm Wrench
- 13mm Socket
- 13mm Wrench
- 14mm Wrench
- 3/8" Socket
- 3/8" Wrench
- 7/16" Socket
- 7/16" Wrench
- 7/16" Allen
- T30 Torx
- Drill
- 21/64" Drill Bit

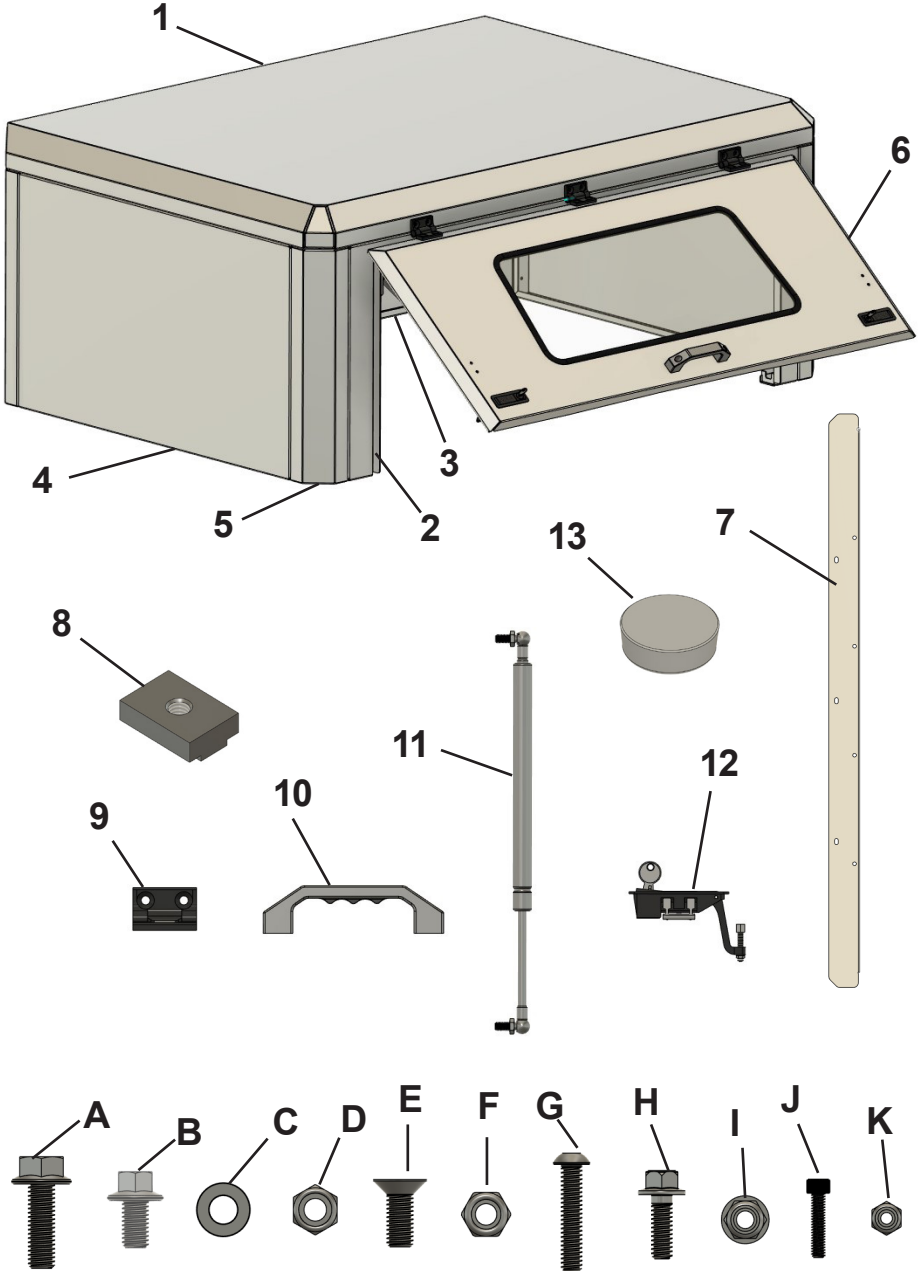
## BEFORE YOU BEGIN

If you do not feel comfortable installing your **Thumper Fab** RANGER 1500 XD BED BOX, please see your nearest Thumper Fab® Dealer for installation.

# Polaris Ranger 1500XD Bed Box



SKU: TF233001



# Polaris Ranger 1500XD

## OPTIONAL - BED BOX ROOF RACK



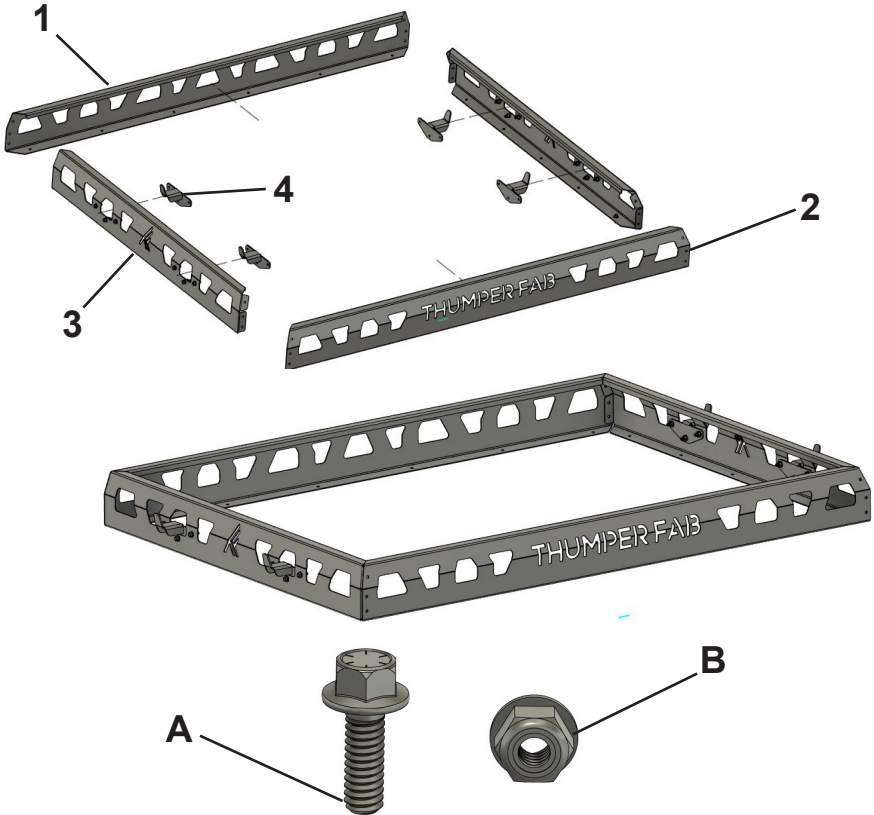
SKU: TF043001.RR

### PARTS

REF	QTY	DESCRIPTION
1	1	RACK - FRONT
2	1	RACK - REAR
3	1	RACK - SIDE
4	2	HOOK
<b>HARDWARE</b>		
A	34	1/4"-20 x 3/4" Flanged Bolt
B	34	1/4"-20 Locknut

### TOOLS

- Drill
- 1/4" Drill Bit
- 7/16" Wrench/Socket
- 5/32" Wrench/Socket

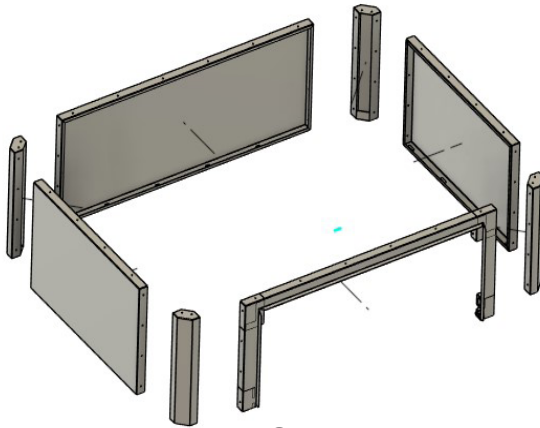


# INSTALLATION INSTRUCTIONS

## Pre-Assemble the Bed Box

SEE PAGE 12 for OPTIONAL Bed Box Rack Installation.

First, start by removing all components from the packaging and laying them out in an organized fashion. Locate the FRONT PANEL, REAR PANEL, SIDE PANEL(s), and CORNER(s). Begin assembling these pieces as shown below. BE SURE that the orientation of the FRONT and SIDE PANELS are correct, as well as the orientation of the corners. The bottom edges of the FRONT and SIDE PANELS will have the long slots cut into them. The bottom ends of the corners WILL NOT have holes in them. (FIG. 1)



**FIG. 1**

Fasten all 8 pieces together, loosely, using the 1/4"-20 x 3/4" Flanged Bolts and 1/4"-20 Locknuts. Ideally, the bolts should be inserted from the "outside" of the corners and the locknuts be installed on the "inside" of the corners. (FIG. 1)

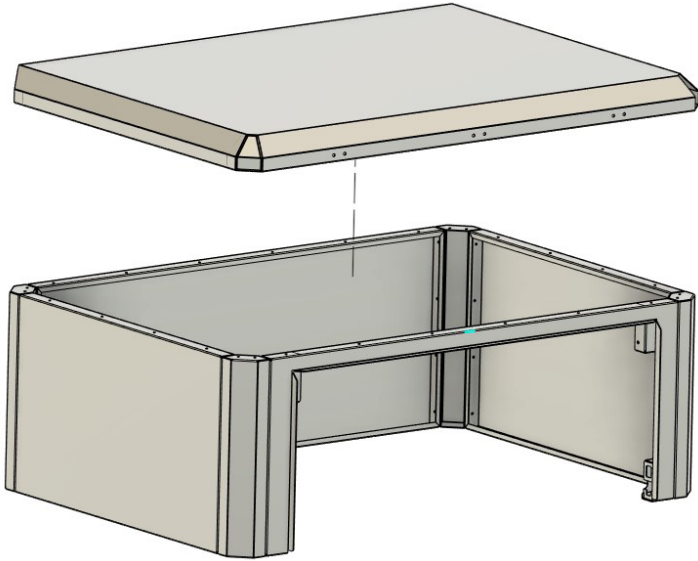


**FIG. 2**

# INSTALLATION INSTRUCTIONS

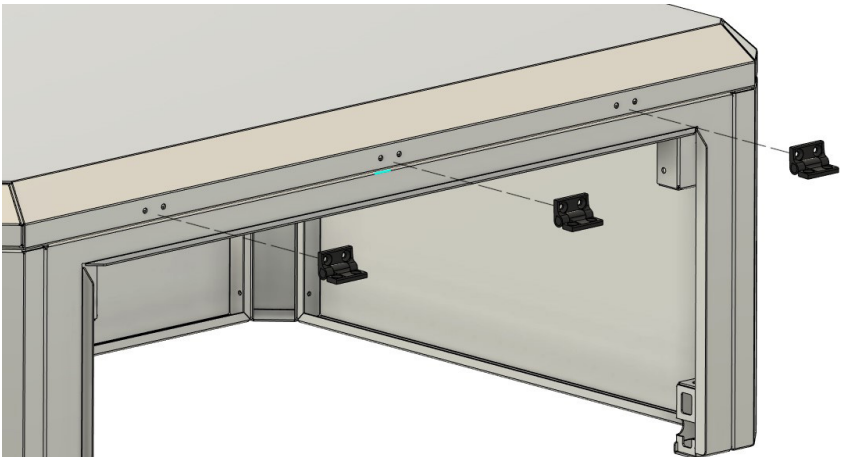
## Pre-Assemble the Bed Box

Next, place the TOP onto the pre-assembled front, rear, side and corners. Fasten with more of the 1/4"-20 hardware. (FIG. 3)



**FIG. 3**

Next, locate and install the hinges using the M8 Flat head screws and M8 low profile locknuts provided in the kit. See below. (FIG. 4 & 5)



**FIG. 4**

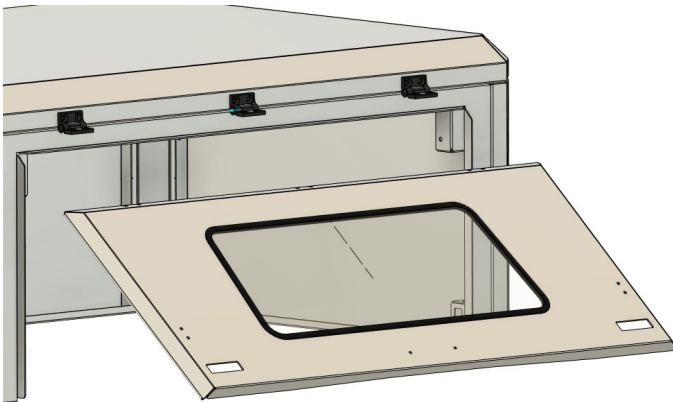
# INSTALLATION INSTRUCTIONS



**FIG. 5**

## **Pre-Assemble the Bed Box**

After the hinges have been put into place and loosely fastened, lift the door into place, and fasten to the hinges using more M8 flat head screws and M8 low profile locknuts. (FIG. 6 & 7)



**FIG. 6**

# INSTALLATION INSTRUCTIONS



**FIG. 7**

Once the rear door has been installed, locate the gas struts from the kit and install as shown. You will need to thread the a ball ends onto the struts before installing onto the door. Then, using the 12mm and 14mm wrenches, install the strut as shown and tighten both ends. (FIG. 8 & 9)



**FIG. 8**



**FIG. 9**

# INSTALLATION INSTRUCTIONS

## Pre-Assemble the Bed Box

Next, the latches and Handle can be installed. Use the (2) 1/4"-20 x 1-1/4" button head bolts and 1/4"-20 locknuts for the handle. Install as shown below. (FIG. 9-12)

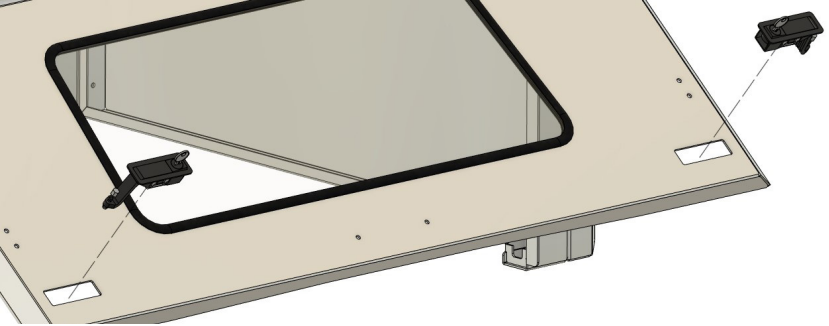
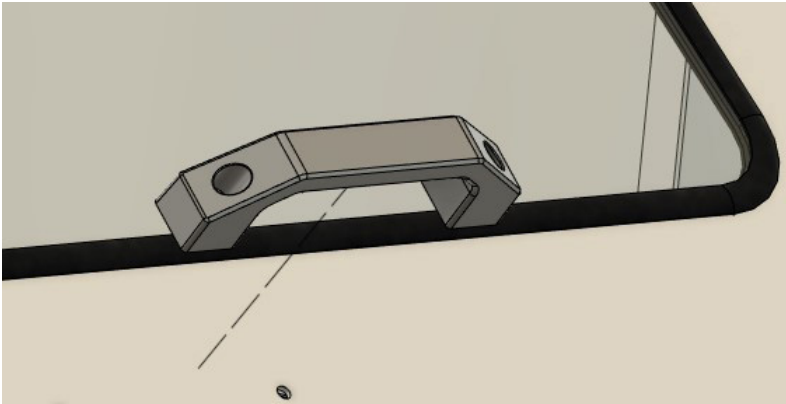


FIG. 9



FIG. 10

## INSTALLATION INSTRUCTIONS



**FIG. 11**



**FIG. 12**

Next, using the #8-32 hardware provided in the kit, install the logo tag onto the rear door as shown below. (FIG. 13)



**FIG. 13**

## INSTALLATION INSTRUCTIONS

Before the box can be set into place, you will need to pre-install the Back Flange onto the front bottom edge of the bed box. Use the M8x20mm bolts and M8 locknuts in the kit as shown below. The lip on the Back Flange need to be pointed DOWN and toward the interior of the bed box. (FIG. 14 & 15)



**FIG. 14**



**FIG. 15**

Next, insert the lock and ride blocks into the rails on either side of the bed and space them as shown below. (FIG 16 & 17)



**FIG. 16**



**FIG. 17**

## INSTALLATION INSTRUCTIONS

Next, set the plastic Cup Holder Plugs into the round recesses at both front corners of the bed. This will help fill a would be gap between the box and the bed. (FIG. 18 & 19)

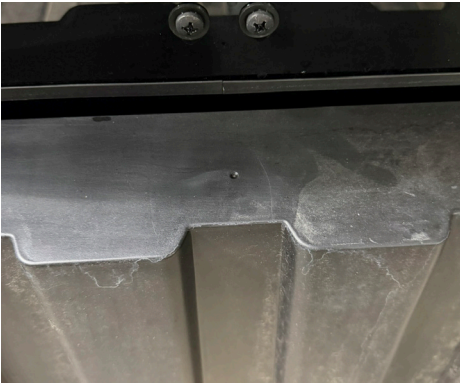


**FIG. 18**



**FIG. 19**

Next, drill out the 3 dimples on the front rail of the bed, by the cab, as shown below. Use a 21/64" drill bit. (FIG. 20 & 21)



**FIG. 20**



**FIG. 21**

### Install Bed Box Onto the Vehicle

After the Bed Box has been fully pre-assembled and all hardware has been tightened, now it can be lifted and placed onto the bed. Use the provided M8 x 14mm Bolts and thread them into the lock and ride blocks. Then, align the pre-drilled holes on the front bed rail with the holes in the Back Flange at the front of the box and insert the M8x20mm bolts down through the bed. Fasten with the M8 washer and locknut on the underside of the bed rail. Tighten once all bolts are in place. (FIG. 22 & 23)

## INSTALLATION INSTRUCTIONS



**FIG. 22**



**FIG. 23**

The bolts will be inserted down through the slots in the bed box, the through the LINQ spacers that will be inserted into the cutouts in the top sides of the bed. The oversized spacer should go underneath the edge of the bed side and then be fastened with the M8 locknut.

# INSTALLATION INSTRUCTIONS

## OPTIONAL Bed Box Rack

If you have also purchased the optional Bed Box Rack, it is best to install onto the TOP, before assembling the Bed Box. First, assembly the Rack as shown using more of the 1/4"-20 hardware. (FIG. 1 & 2)

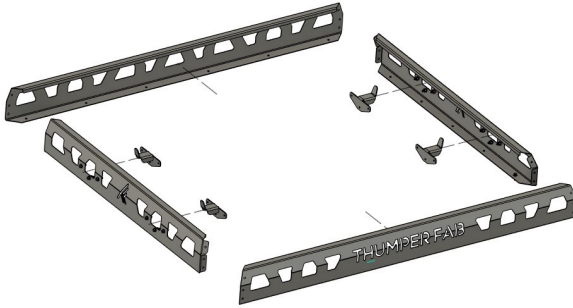


FIG. 1



FIG. 2

After the rack has been assembled, place it onto the top and align it properly. It is best to mark the two outer most holes on the front panel of the rack. **(RED LINES BELOW)** Once those two are marked, remove the rack, drill those two hole, then fasten the rack at these two points. Next, ensure that the rack is straight and placed correctly, then mark the remaining holes. After all holes have been marked, remove the hardware and remove the rack again. Drill out the remaining holes, set the rack back into place, and fasten the rack completely. (FIG. 3)

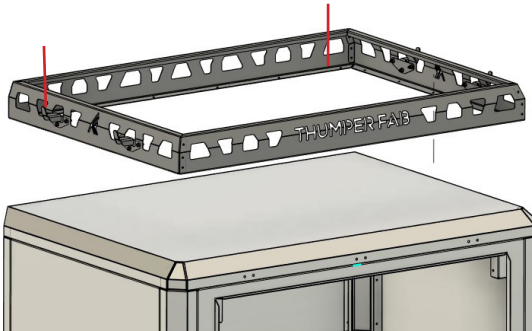


FIG. 3



**THUMPER FAB**

**Thumper Fab**

5103 Elysian Fields Rd, Marshall, Tx 75672  
Customer Service: 903-472-0928

[www.thumperfab.com](http://www.thumperfab.com)