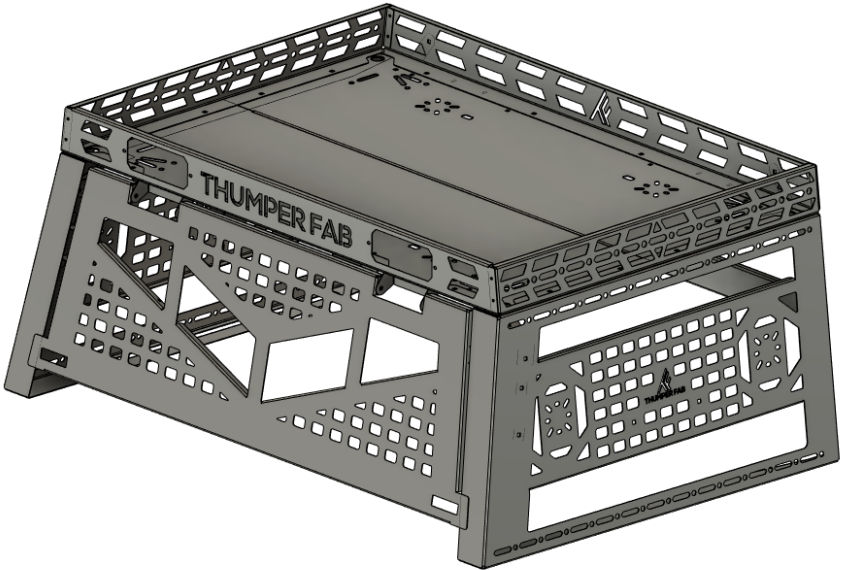


**Polaris Ranger XD 1500**  
**Elite Bed Rack**

SKU: TF231906



**Thumper Fab**  
5103 Elysian Fields Rd, Marshall, TX 75672  
Customer Service: 903-472-0928

# Polaris Ranger XD 1500

## Elite Bed Rack

SKU: TF231906



### PARTS

REF	QTY	DESCRIPTION
1	1	Upper Basket - Front Flange
2	1	Upper Basket - Rear Flange
3	2	Upper Basket - Bottom
4	2	Upper Basket - Side Panel
5	1	Lower Side Panel - DR
6	1	Lower Side Panel - PA
7	1	Front Brace
8	1	Rear Gusset - DR
9	1	Rear Gusset - PA
10	2	Front Gusset
HARDWARE KIT - BED RACK		
A	6	M8x14mm Flange Head Bolt
B	11	1/4"x1/2" Button Head Screw
C	11	1/4" Nylon Lock Nut
D	28	M8x20mm Carriage Bolt
E	28	M8 Flange Nylon Lock Nut
F	28	M8 Flat Washer
G	4	Lock and Ride Max Fasteners

### TOOLS

- 12mm Socket
- 13mm Socket and Wrench
- 5/32" Allen Wrench
- 15/64" Wrench
- 7/16" Socket and Wrench
- Phillips Head Screwdriver
- Scissors

### BEFORE YOU BEGIN

If you do not feel comfortable installing your Thumper Fab Bed Rack, please see your nearest Polaris® Dealer for installation.

#### Torque Specs:

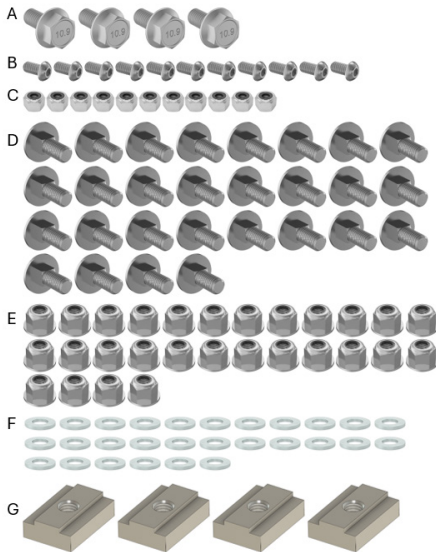
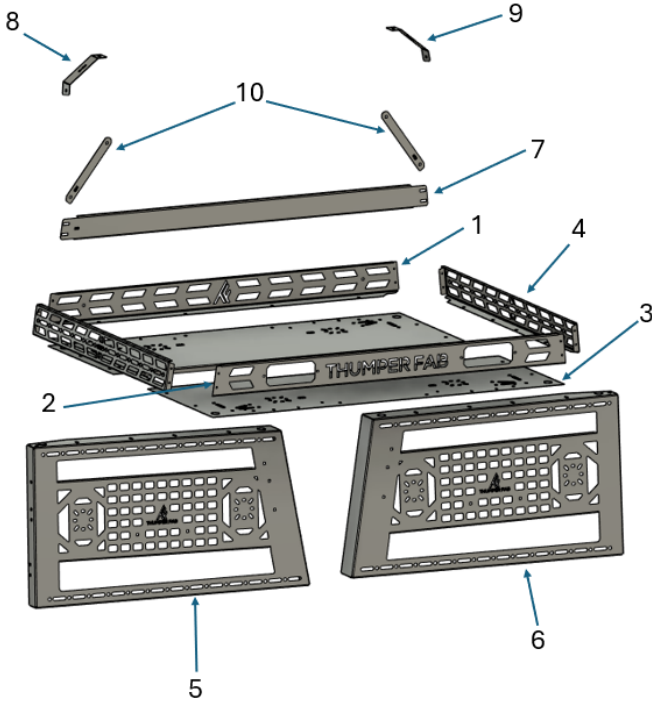
SIZE (STANDARD)	GRADE 5	GRADE 8
5/16"	15 ft/lbs	20 ft/lbs
3/8"	30 ft/lbs	35 ft/lbs
7/16"	45 ft/lbs	60 ft/lbs
1/2"	65 ft/lbs	90 ft/lbs
9/16"	95 ft/lbs	130 ft/lbs
5/8"	135 ft/lbs	175 ft/lbs
3/4"	185 ft/lbs	280 ft/lbs

SIZE (METRIC)	CLASS 8.8	CLASS 10.9
6MM	5 ft/lbs	9 ft/lbs
8MM	18 ft/lbs	23 ft/lbs
10MM	32 ft/lbs	45 ft/lbs
12MM	55 ft/lbs	75 ft/lbs
14MM	85 ft/lbs	120 ft/lbs
16MM	130 ft/lbs	165 ft/lbs
18MM	170 ft/lbs	240 ft/lbs

# Polaris Ranger XD 1500

## Elite Bed Rack

SKU: TF231906



# Polaris Ranger XD 1500

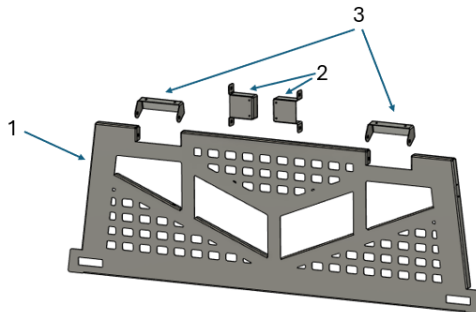
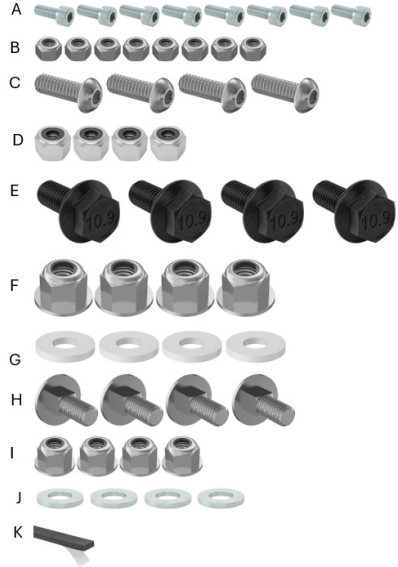
## Elite Bed Rack

SKU: TF231906



### OPTIONAL REAR DOOR - PARTS

REF	QTY	DESCRIPTION
1	1	Rear Hatch
2	2	Rack Side - Strut Mounts
3	2	Hinges
4	2	Gas Struts
5	2	Compression Latches
6	2	Angled Strut Mounts
7	2	Straight Strut Mounts
HARDWARE KIT - REAR DOOR		
A	8	#10x1/2" Socket Cap Screw
B	8	#10 Nylon Lock Nut
C	4	1/4"x3/4" Button Head Screw
D	4	1/4" Nylon Lock Nut
E	4	M10x25mm Flange Head Bolt
F	4	M10 Flange Nylon Lock Nut
G	4	M10 Plastic Fender Washer
H	4	M8x20mm Carriage Bolt
I	4	M8 Flange Nylon Lock Nut
J	4	M8 Flat Washer
K	6 in	Adhesive Trim



# Polaris Ranger XD 1500

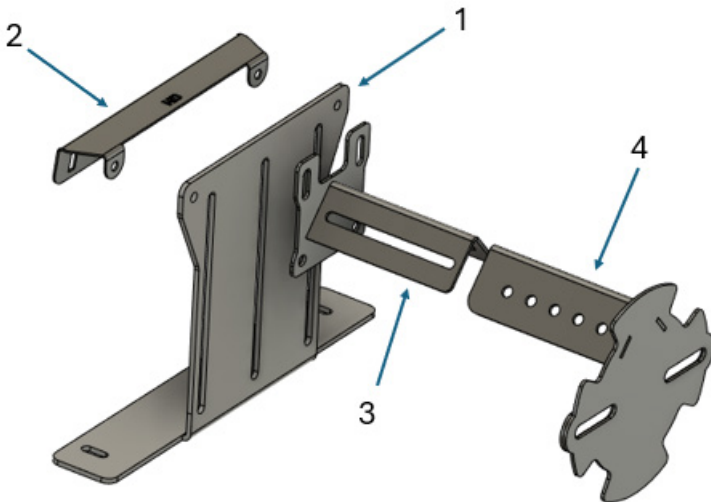
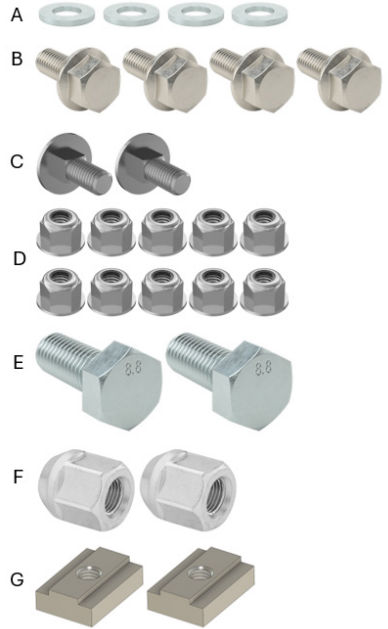
## Elite Bed Rack

SKU: TF231906



### OPTIONAL SPARE TIRE - PARTS

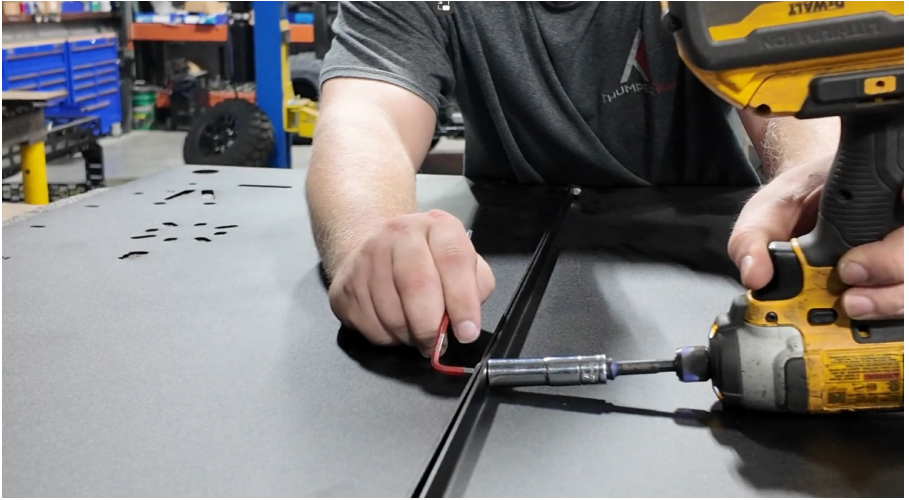
REF	QTY	DESCRIPTION
1	1	Tire Diameter Adjuster Mount
2	1	Tire Diameter Adjuster Mount Brace
3	1	Mount Base
4	1	Hub Mount
HARDWARE KIT - SPARE TIRE		
A	4	M8 Flat Washer
B	10	M8x20mm Flange Head Bolts
C	2	M8x20mm Carriage Bolts
D	10	M8 Flange Nylon Lock Nut
E	2	M12x30mm Hex Head Bolt
F	2	M12 Lug Nuts
G	2	Lock and Ride Max Fasteners



# INSTALLATION INSTRUCTIONS

## Installation Preparation

Fasten the 2 x upper basket bottoms together using 3 x 1/4"x1/2" button head screws and 3 x 1/4" nylon lock nuts using a 5/32" allen wrench and a 7/16" socket (**FIG 1**).



**FIG 1 - Fasten Upper Basket - Bottoms together**

Flip the basket bottom over so that mating flange is pointing towards the ground. Mount the upper basket - rear flange to the basket bottom using 4 x M8x20mm carriage bolts, 4 x M8 flat washers, and 4 x M8 flange nylon lock nuts. The M8 flat washers go on the underside of the basket bottom. Tighten using a 13mm socket (**FIG 2**).



**FIG 2 - Fasten Rear Flange to Basket Bottom**

# INSTALLATION INSTRUCTIONS

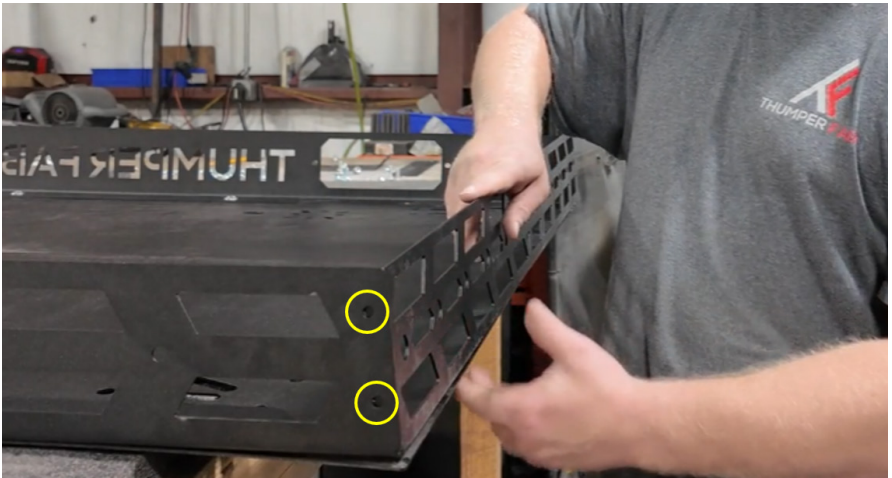
## Installation Preparation

Mount the upper basket - front flange to the basket bottom using 4 x M8x20mm carriage bolts, 4 x M8 flat washers, and 4 x M8 flange nylon lock nuts. The M8 flat washers go on the underside of the basket bottom. Tighten using a 13mm socket (**FIG 3**).



**FIG 3 - Fasten Upper Basket Front Flange to Baskets Bottoms**

Mount the 2 x upper basket - side panels to the front and rear flanges of the upper basket using 8 x 1/4"x1/2" button head screws and 8 x 1/4" nylon lock nuts. Tighten using a 5/32" allen wrench and a 7/16" socket (**FIG 4**).

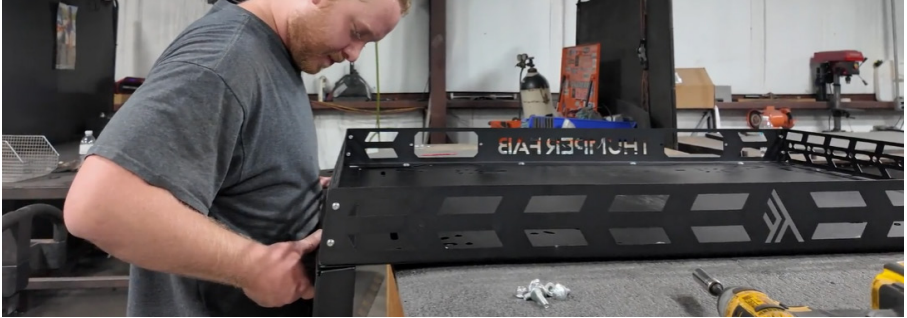


**FIG 4 - Fasten Side Panels to Upper Basket Front and Rear Flanges**

# INSTALLATION INSTRUCTIONS

## Installation Preparation

Mount the lower side panels to the upper basket using 8 x M8x20mm carriage bolts, 8 x M8 flat washers, and 8 x M8 flange nylon lock nuts. The washers go on the underside, loosely tighten using a 13mm socket. Do not fully tighten at this time (**FIG 5**).



**FIG 5 - Fasten Lower Side Panels to Upper Basket**

Mount the front brace to the lower side panels using 4 x M8x20mm carriage bolts, 4 x M8 flat washers, and 4 x M8 flange nylon lock nuts. Loosely tighten using a 13mm socket, do not fully tighten at this time (**FIG 6**).



**FIG 6 - Mount the Front Brace to the Lower Side Panels**



# INSTALLATION INSTRUCTIONS

## Installation Preparation

Mount the 2 x front gussets to the upper basket and lower side panels using 4 x M8 carriage bolts, 4 x M8 flat washers, and 4 x M8 flange nylon lock nuts. Do not fully tighten at this time (**FIG 7**).



**FIG 7 - Fasten the Front gussets from the Lower Side Panels to Upper Basket**

Mount the rear gussets to the lower side panels and upper basket using 4 x M8x20mm carriage bolts, 4 x M8 flat washers, and 4 x M8 flange nylon lock nuts. Loosely tighten using a 13mm socket, do not fully tighten at this time (**FIG 8**).

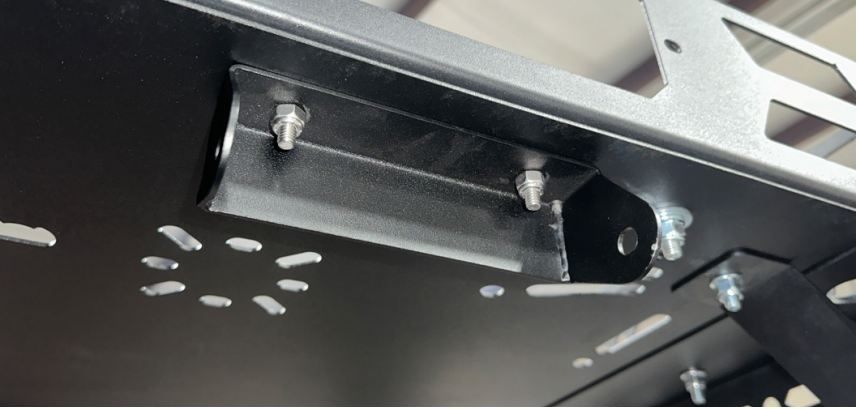


**FIG 8 - Mount the Rear Gussets to the Lower Side Panels and Upper Basket**

## INSTALLATION INSTRUCTIONS

### Installation Preparation (OPTIONAL REAR DOOR)

If the rear door option has been selected, start the installation by mounting the hinges to the underside of the upper basket using 4 x 1/4"x3/4" button head screws and 4 x 1/4" nylon lock nuts. Tighten using a 5/32" allen wrench and a 7/16" socket (**FIG 9**).



**FIG 9 - Fasten the Hinges to the Underside of the Upper Basket**

Mount the straight strut mounts to the inside face of the rear door using 4 x #10 x 1/2" socket cap screws and 4 x #10 nylon lock nuts. Tighten using a 5/32" allen wrench and a 15/64" wrench (**FIG 10**).



**FIG 10 - Mount the Straight Strut Mount to the Rear Hatch**

## INSTALLATION INSTRUCTIONS

### Installation Preparation (OPTIONAL REAR DOOR)

Fasten the angled strut mount brackets to the rack side - strut mounts using 4 x #10 x 1/2" socket cap screws and 4 x #10 nylon lock nuts. Tighten using a 5/32" allen wrench and a 15/64" wrench (**FIG 11**).



**FIG 11 - Fasten the Angled Strut Mount to the Rack Side - Strut Mount**

Mount the rack side - strut mounts to the inside of the lower side panels, both driver and passenger side using 4 x M8x20mm carriage bolts, 4 x M8 flat washers, and 4 x M8 flange nylon lock nuts (**FIG 12**).



**FIG 12 - Mount Rack Side - Strut Mounts to Lower Side Panels**

# INSTALLATION INSTRUCTIONS

## Installation Preparation (OPTIONAL REAR DOOR)

Fasten the rear hatch to the hinges using 4 x M10x25mm flange head bolts, 4 x M10 plastic fender washers, and 4 x M10 flange nylon lock nuts. Place the M10 plastic washers in between the rear hatch and the hinges during assembly to provide smooth operation. Loosely tighten using a 15mm socket and wrench, do not over tighten (**FIG 13**).



**FIG 13 - Fasten the Rear Hatch to the Hinges**

Mount the gas strut to the strut mounts to the straight and angled strut mounts by pressing the end of the strut onto the ball mounts (**FIG 14**).



**FIG 14 - Mount Gas Struts**

## INSTALLATION INSTRUCTIONS

### Installation Preparation (OPTIONAL REAR DOOR)

Fasten the 2 x compression latches to the rear hatch using a phillips head screwdriver. Do not over tighten or latches may not open smoothly (**FIG 15**).



**FIG 15 - Mount Latches to Rear Hatch**

Trim a piece of the adhesive trim and stick it to the inside face of the rear hatch where it contacts the lower side panel. Adjust the compression latches as needed for a secure fit when the latches are closed (**FIG 16**).



**FIG 16 - Apply Adhesive Trim to inside of Rear Hatch**

# INSTALLATION INSTRUCTIONS

## Installation Preparation (OPTIONAL REAR LIGHTS)

Fasten brackets provided in light bar box to the light bar using hardware found in the light bar box (**FIG 17**).



**FIG 17 - Mount Brackets to Light Bar**

Mount the light bars to the upper basket using hardware provided in the light bar box. Refer to wiring instructions at the end of this manual (**FIG 18**).

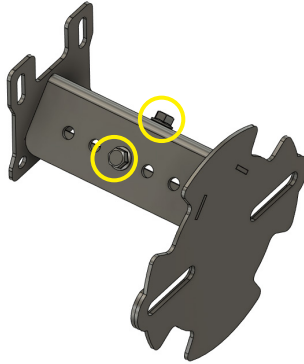


**FIG 18 - Mount Light Bars to Upper Basket**

# INSTALLATION INSTRUCTIONS

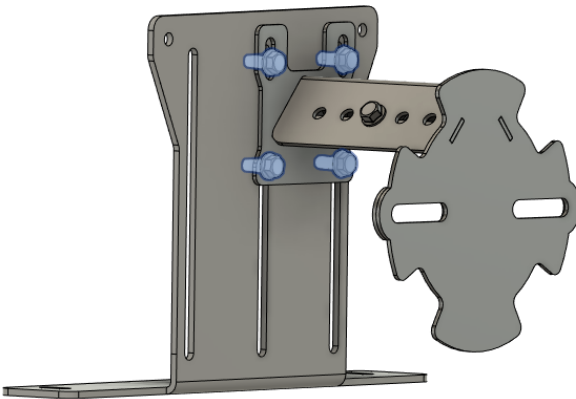
## Installation Preparation (OPTIONAL SPARE TIRE MOUNT)

Fasten mount base to the hub mount using 2 x M8x20mm flange head bolts, and 2 x M8 flange nylon lock nuts. Tighten using a 13mm socket and wrench (**FIG 19**).



**FIG 19 - Mount Hub Mount to Mount Base**

Mount the mount base to the tire diameter adjuster mount using 4 x M8x20mm carriage bolts, and 4 x M8 flange nylon lock nuts. Loosely tighten using a 13mm socket and wrench (**FIG 20**).

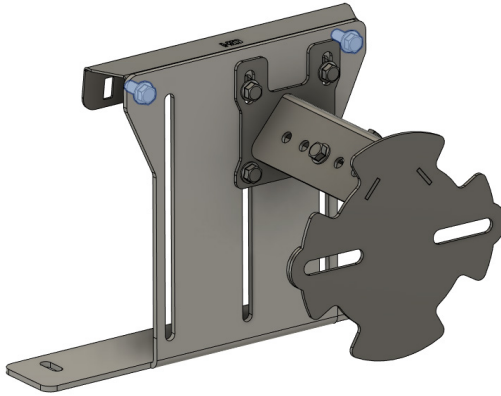


**FIG 20 - Mount Base to the Tire Diameter Adjuster Mount**

# INSTALLATION INSTRUCTIONS

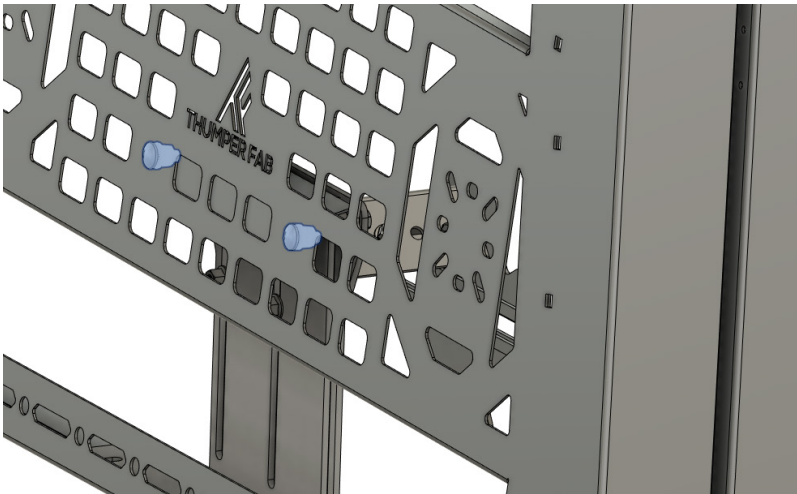
## Installation Preparation (OPTIONAL SPARE TIRE MOUNT)

Fasten tire diameter adjuster brace to tire diameter adjuster using 2 x M8x20mm flange head bolts, and 2 x M8 flange nylon lock nuts. Tighten using a 13mm socket and wrench (**FIG 21**).



**FIG 21 - Mount Brace to Tire Diameter Adjuster**

Mount the tire diameter adjuster mount brace to the lower side panel (either driver or passenger side) using 2 x M8x20mm carriage bolts, 2 x M8 flat washers, and 2 x M8 flange nylon lock nuts. Tighten using a 13mm wrench. Finally assembly will be shown when rack is secured to vehicle in figures 26-28 (**FIG 22**).



**FIG 22 - Mount Tire Diameter Adjuster Mount Brace to Lower Side Panel**



# INSTALLATION INSTRUCTIONS

## Installation

Raise the bed slightly to gain access to the port used to insert lock and ride max fasteners into the bed rails. 2 x fasteners are required for each side to mount the rack and additional 2 fasteners are used to mount the spare tire mount option (if selected) on one side of the bed, either driver or passenger (**FIG 23 & FIG 24**).



**FIG 23 & FIG 24 - Insert Lock and Ride Max Fasteners into Bed Rails**

Set the bed rack on the vehicle once fasteners are in place in bed rails. Fasten the bed rack to the bed rails by threading 4 x M8x14mm flange head bolts into the 4 x lock and ride max fasteners located inside the bed rail. Do not fully tighten until the bed rack is square with the bed. Once rack is square, all rack hardware can be fully tightened (**FIG 25**).

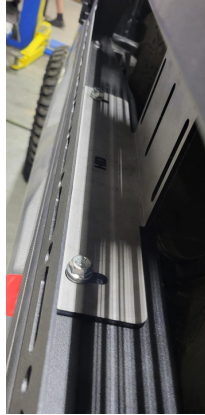


**FIG 25 - Mount Rack to Vehicle using a 12mm Socket**

# INSTALLATION INSTRUCTIONS

## Installation (OPTIONAL SPARE TIRE MOUNT)

Fasten the tire diameter adjuster mount to the bed rail with the previously installed 2 extra lock and ride max fasteners using 2 x M8x20mm flange head bolts and 2 x M8 flat washers (**FIG 26**).



**FIG 26 - Fasten Tire Diameter Adjuster Mount to Bed Rail**

Mount the spare tire to the hub mount using 2 x M12x30mm hex head bolts and 2 x M12 lug nuts. Once tire is mounted, adjust as needed and tighten all remaining spare tire mounting hardware (**FIG 27 & FIG 28**).



**FIG 27 & FIG 28 - Mount Spare Tire to Hub Mount**

# INSTALLATION INSTRUCTIONS

## Installation (OPTIONAL REAR LIGHTS WIRING)

Plug in the provided wiring harness to the lights, and route to the front of the vehicle. Be careful to avoid any parts that rotate or that will get hot. Once harness is into the hood, plug pulse bar connector into an open slot (FIG 29 & FIG 30).



FIG 29 & FIG 30 - Plug harness into Light Bars and Pulse Bar

Select a suitable location for the light switch in the dash and route the wires through opening in dash and plug in 3 wire to switch terminals in order from top to bottom: black, white, blue (FIG 31 & FIG 32).



Connect switch wires as follows:

- BLACK → TOP (10)\*
- WHITE → MIDDLE (2)\*
- BLUE → BOTTOM (4)\*

\*Numbers correspond to terminals on switch

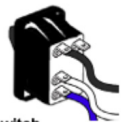


FIG 31 & FIG 32 - Mount Switch in dash and connect Wires

# INSTALLATION INSTRUCTIONS

## PRODUCT DISCLAIMER

The installation of products sold or manufactured by Thumper Fabrication, LLC (Thumper Fab) including, but not limited to suspension components such as lift kits, audio roofs, roll cages, frame stiffener kits, and tires that exceed the original specifications for the vehicle, may change the vehicle's center of gravity and handling characteristics both on- and off-road. You are aware that the installation of tires that are larger than original vehicle specifications may reduce the effectiveness of the braking system. Use of these products may place added stress to the original factory vehicle components which could cause them to weaken or possibly fail.

Products sold or manufactured by Thumper Fab are intended for off-road use only. Operation of a vehicle modified with these products on a road could result in serious bodily injury or death, and such operation may violate the laws of your state or municipality. You agree to operate your vehicle exclusively in the manner intended by the vehicle manufacturer. You agree that failure to safely and reasonably operate your vehicle could result in serious bodily injury or death, and that, as a result of installation of this product(s) to your vehicle, extreme care must be taken to prevent vehicle rollover or loss of control, which may be more likely to occur as a result of said modifications. You will avoid unsafe maneuvers, including sudden sharp turns or other abrupt maneuvers, which could make a vehicular accident more likely. You understand that Thumper Fab is not responsible or liable for any damages or any injuries to yourself or your passengers that could occur upon possible accidents due to driver error, incorrect installations, bad judgment, incompatibility with other aftermarket accessories or natural disasters to the fullest extent allowable by law. You will have all vehicle occupants fasten seatbelts, if equipped, and wear proper safety equipment, such as DOT approved helmet and eye protection prior to operating the vehicle. You understand and acknowledge that failure to wear proper safety equipment may increase the risk of serious bodily injury or death to yourself and any passengers.

Proper installation of products sold or manufactured by Thumper Fab requires knowledge of the factory recommended procedures for removal and installation of original equipment components. Installation of these products without proper knowledge and experience may affect the performance of these components and the safety of the vehicle and cause serious bodily injury or death. It is strongly recommended that a certified mechanic familiar with the installation of similar components perform the product(s) installation.

Prior to installing any products sold or manufactured by Thumper Fab, you will perform or cause to be performed an inspection of their vehicle to confirm its condition is suitable for the installation of these products. A proper inspection of the vehicle includes confirmation that the vehicle has not been in a collision and is free of corrosion. If the vehicle is suspected to have been in a collision or misused, or is otherwise unsuitable for modification, you will not install the product(s). You will continue to inspect the vehicle prior to each use to confirm its condition is suitable for its intended use, and you acknowledge that the failure to do so may result in serious bodily injury or death, as well as damage to the vehicle itself.

You will install any warning labels provided with the product so it may be prominently seen by yourself and all passengers. You will notify all passengers of the modifications performed to your vehicle prior to operation.

Insurance companies may handle coverage of a modified vehicle differently. Please check with your insurance carrier prior to modifying the vehicle to ensure your coverage remains sufficient. Installation of this product(s) may void your vehicle warranty. If this is a concern, please check with the manufacturer or dealer before purchase or installation of this product(s).



**THUMPER FAB**

**Thumper Fab**

5103 Elysian Fields Rd, Marshall, TX 75672

Customer Service: 903-472-0928

[www.thumperfab.com](http://www.thumperfab.com)