

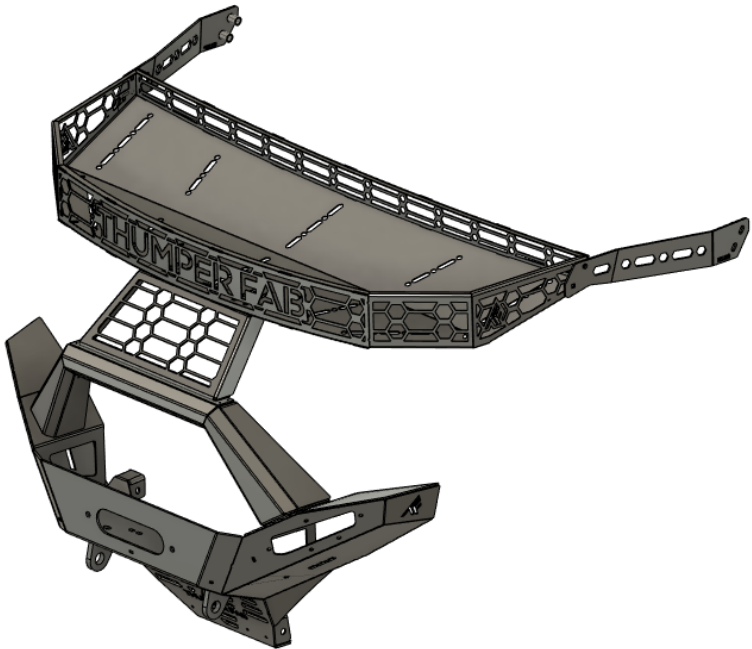


THUMPER FAB

Aluminum Audio Roofs • Roll Cages • UTV Accessories

Ranger 1500XD Hood Basket

SKU: TF231903 & TF231904



Thumper Fab

5103 Elysian Fields Rd, Marshall, TX 75672

Customer Service: 903-472-0928

www.thumperfab.com

Ver. 0824

RGR 1500XD Hood Basket

SKU: TF231903 & TF231904



PARTS

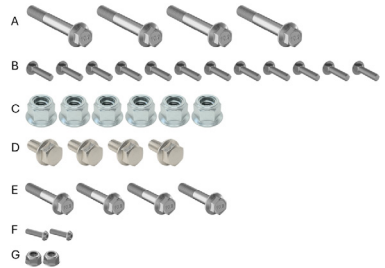
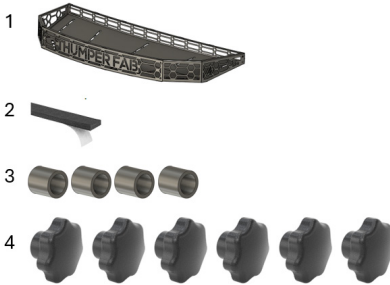
REF	QTY	DESCRIPTION
1	1	Hood Basket
2	10 in	Foam
3	4	Spacers
4	6	Plastic Knobs
HARDWARE KIT		
A	4	M10x70mm Flange Head Bolt
B	12	M8 Carriage Bolt
C	6	M8 Flange Nylon Lock Nut
D	4	M8x20mm Flange Head Bolt
E	4	M8x45mm Flange Head Bolt
F	2	1/4"x1" Button Head Screw
G	2	1/4" Nylon Lock Nut

TOOLS

- Drill
- 3/4" Drill Bit
- 13mm Socket and Wrench

Please Note:

Not all hardware will be used for installation. Hardware kit is universal and will result in unused hardware depending on installation.



Torque Specs:

SIZE (STANDARD)	GRADE 5	GRADE 8	SIZE (METRIC)	CLASS 8.8	CLASS 10.9
5/16"	15 ft/lbs	20 ft/lbs	6MM	5 ft/lbs	9 ft/lbs
3/8"	30 ft/lbs	35 ft/lbs	8MM	18 ft/lbs	23 ft/lbs
7/16"	45 ft/lbs	60 ft/lbs	10MM	32 ft/lbs	45 ft/lbs
1/2"	65 ft/lbs	90 ft/lbs	12MM	55 ft/lbs	75 ft/lbs
9/16"	95 ft/lbs	130 ft/lbs	14MM	85 ft/lbs	120 ft/lbs
5/8"	135 ft/lbs	175 ft/lbs	16MM	130 ft/lbs	165 ft/lbs
3/4"	185 ft/lbs	280 ft/lbs	18MM	170 ft/lbs	240 ft/lbs

BEFORE YOU BEGIN

If you do not feel comfortable installing your Thumper Fab Hood Basket, please see your nearest Dealer for installation.

RGR 1500XD Hood Basket

SKU: TF231903



PARTS SPECIFIC TO (RGR 1500 OEM BUMPER, TF231903.W)

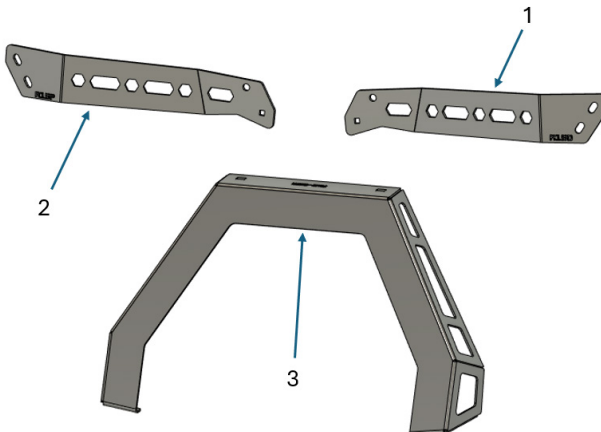
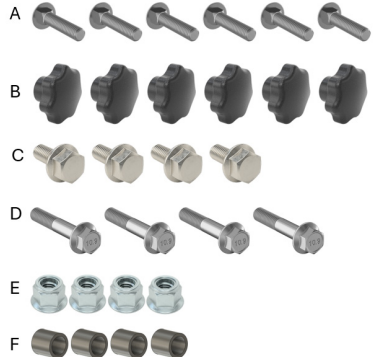
REF	QTY	DESCRIPTION
1	1	RGR 1500 - Rear Mount Bracket - DR
2	1	RGR 1500 - Rear Mount Bracket - PA
3	1	RGR 1500 - OEM Bumper Bracket
HARDWARE KIT FOR TF231903.W		
A	6	M8 Carriage Bolt
B	6	Plastic Knobs
C	4	M8x20mm Flange Head Bolt
D	4	M8x45mm Flange Head Bolt
E	4	M8 Flange Nylon Lock Nut
F	4	Spacers

TOOLS

- 13mm Socket and Wrench
- 3/4" Drill Bit

Please Note:

Hardware and parts listed are specific for installation on a Ranger 1500 (with an OEM Bumper) TF231903.W



INSTALLATION INSTRUCTIONS

Installation Procedure (Ranger 1500, OEM Bumper)

Fasten the Ranger 1500 OEM bumper mount bracket to the OEM bumper using 4 x M8x20mm flange head bolts or reuse OEM bull bar mounting bolts, if applicable. Tighten using a 13mm socket (**FIG 1**).



FIG 1 - Fasten Bumper Mount Bracket to bumper using a 13mm socket

Remove A-Pillar plastic cover and drill out where dimples are shown with a 3/4" drill bit. Once drilled, reinstall cover (**FIG 2 & FIG 3**).



FIG 2 & FIG 3 - Drill holes in A-Pillar Covers

INSTALLATION INSTRUCTIONS

Installation Procedure (Ranger 1500, OEM Bumper)

Fasten the Ranger 1500 rear mount brackets to the frame by sliding spacers into holes drilled in A Pillar cover and attach bracket to frame using 4 x M8x45mm flange head bolts. Loosely tighten using a 13mm socket (**FIG 4**).



FIG 4 - Fasten Rear Mount Brackets to vehicle using a 13mm socket

Lay blanket or towel down over the hood to prevent scratching. Place the main basket into position (**FIG 5**).



FIG 5 - Place Main Basket into position

INSTALLATION INSTRUCTIONS

Installation Procedure (Ranger 1500, OEM Bumper)

Fasten the main basket to the rear mount brackets using 4 x M8 carriage bolts and 4 x plastic knobs (**FIG 6**).



FIG 6 - Fasten Main Basket to Rear Mount Brackets

Fasten the front of the mount basket to the OEM Bumper Mount using 2 x M8 carriage bolts and 2 x plastic knobs (**FIG 7**).



FIG 7 - Fasten front of Main Basket to Bumper Mount

INSTALLATION INSTRUCTIONS

Installation Procedure (Ranger 1500, OEM Bumper)

Once all components are fastened together, all hardware can be fully tightened (**FIG 8**).



FIG 8 - Fully tighten all hardware

Ranger 1500XD Hood Basket

SKU: TF231904



PARTS SPECIFIC TO (RGR 1500 TF BUMPER, TF231904.W)

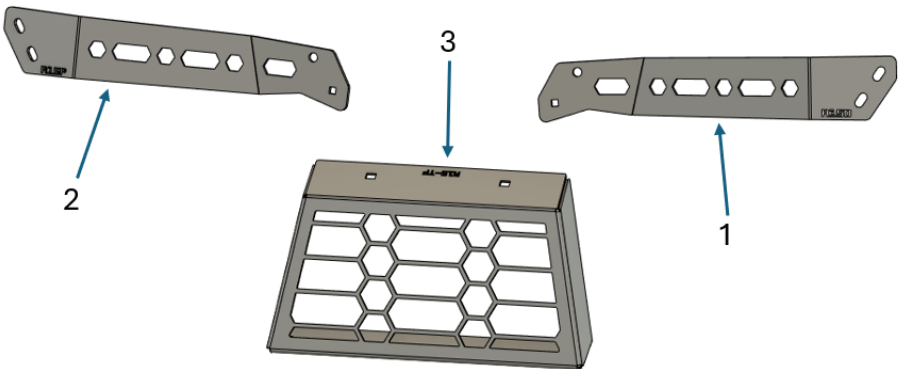
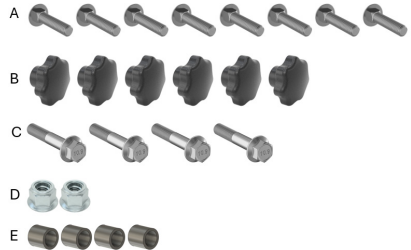
REF	QTY	DESCRIPTION
1	1	RGR 1500 - Rear Mount Bracket - DR
2	1	RGR 1500 - Rear Mount Bracket - PA
3	1	RGR 1500 - TF Bumper Bracket
HARDWARE KIT FOR TF231904.W		
A	8	M8 Carriage Bolt
B	6	Plastic Knobs
D	4	M8x45mm Flange Head Bolt
E	2	M8 Flange Nylon Lock Nut
F	4	Spacers

TOOLS

- 13mm Socket and Wrench
- Drill
- 3/8" Drill Bit
- 3/4" Drill Bit

Please Note:

Hardware and parts listed are specific for installation on a Ranger 1500 (with a TF Bumper - with Bull Bar Option) TF231904.W



INSTALLATION INSTRUCTIONS

Installation Procedure (Ranger 1500, TF Bumper)

Mounting of hood basket on a Ranger 1500 with a Thumper Fab Bumper and Bull Bar is identical to the OEM bumper installation process except for a different bumper mount bracket. Loosley fasten the Thumper Fab bumper mount to the main basket using 2 x M8 carriage bolts, and 2 x plastic knobs (**FIG 9**).

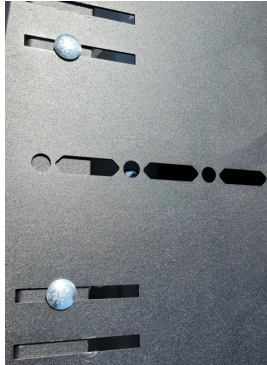


FIG 9 - Loosley mount Thumper Fab Bull Bar Bracket to Main Basket

Rest Thumper Fab bumper mount bracket on bull bar and center bracket over bull bar before using bumper mount bracket as a template to mark the locations on the bull bar that need to be drilled. Measure both sides of the bull bar to center mount bracket (**FIG 10 & FIG 11**).



FIG 10 & FIG 11 - Mark Bull Bar to prepare for Drilling

INSTALLATION INSTRUCTIONS

Installation Procedure (Ranger 1500, TF Bumper)

Drill marked holes with a 3/8" drill bit and clean off metal shavings from bull bar (FIG 12).



FIG 12 - Drill holes in Thumper Fab Bull Bar using a 3/8" Drill Bit

Mount bumper mount bracket to bull bar using 2 x M8 carriage bolts and 2 x M8 flange nylon lock nuts. Tighten any remaining hardware (FIG 13 & FIG 14).



FIG 13 & FIG 14 - Fasten Mount Bracket to Bull Bar using a 13mm socket

INSTALLATION INSTRUCTIONS

PRODUCT DISCLAIMER

The installation of products sold or manufactured by Thumper Fabrication, LLC (Thumper Fab) including, but not limited to suspension components such as lift kits, audio roofs, roll cages, frame stiffener kits, and tires that exceed the original specifications for the vehicle, may change the vehicle's center of gravity and handling characteristics both on- and off-road. You are aware that the installation of tires that are larger than original vehicle specifications may reduce the effectiveness of the braking system. Use of these products may place added stress to the original factory vehicle components which could cause them to weaken or possibly fail.

Products sold or manufactured by Thumper Fab are intended for off-road use only. Operation of a vehicle modified with these products on a road could result in serious bodily injury or death, and such operation may violate the laws of your state or municipality. You agree to operate your vehicle exclusively in the manner intended by the vehicle manufacturer. You agree that failure to safely and reasonably operate your vehicle could result in serious bodily injury or death, and that, as a result of installation of this product(s) to your vehicle, extreme care must be taken to prevent vehicle rollover or loss of control, which may be more likely to occur as a result of said modifications. You will avoid unsafe maneuvers, including sudden sharp turns or other abrupt maneuvers, which could make a vehicular accident more likely. You understand that Thumper Fab is not responsible or liable for any damages or any injuries to yourself or your passengers that could occur upon possible accidents due to driver error, incorrect installations, bad judgment, incompatibility with other aftermarket accessories or natural disasters to the fullest extent allowable by law. You will have all vehicle occupants fasten seatbelts, if equipped, and wear proper safety equipment, such as DOT approved helmet and eye protection prior to operating the vehicle. You understand and acknowledge that failure to wear proper safety equipment may increase the risk of serious bodily injury or death to yourself and any passengers.

Proper installation of products sold or manufactured by Thumper Fab requires knowledge of the factory recommended procedures for removal and installation of original equipment components. Installation of these products without proper knowledge and experience may affect the performance of these components and the safety of the vehicle and cause serious bodily injury or death. It is strongly recommended that a certified mechanic familiar with the installation of similar components perform the product(s) installation.

Prior to installing any products sold or manufactured by Thumper Fab, you will perform or cause to be performed an inspection of their vehicle to confirm its condition is suitable for the installation of these products. A proper inspection of the vehicle includes confirmation that the vehicle has not been in a collision and is free of corrosion. If the vehicle is suspected to have been in a collision or misused, or is otherwise unsuitable for modification, you will not install the product(s). You will continue to inspect the vehicle prior to each use to confirm its condition is suitable for its intended use, and you acknowledge that the failure to do so may result in serious bodily injury or death, as well as damage to the vehicle itself.

You will install any warning labels provided with the product so it may be prominently seen by yourself and all passengers. You will notify all passengers of the modifications performed to your vehicle prior to operation.

Insurance companies may handle coverage of a modified vehicle differently. Please check with your insurance carrier prior to modifying the vehicle to ensure your coverage remains sufficient. Installation of this product(s) may void your vehicle warranty. If this is a concern, please check with the manufacturer or dealer before purchase or installation of this product(s).



THUMPER FAB

Thumper Fab

5103 Elysian Fields Rd, Marshall, TX 75672

Customer Service: 903-472-0928

www.thumperfab.com