



THUMPER FAB

Aluminum Audio Roofs • Roll Cages • UTV Accessories

CFMOTO / UFORCE Headache Rack

SKU: TF211601



Thumper Fab

5103 Elysian Fields Rd, Marshall, TX 75672

Customer Service: 903-472-0928

www.thumperfab.com

Ver. 0824

Polaris / Ranger Headache Rack

SKU: TF211601



PARTS

REF	QTY	Component
1	1	Headache Rack
2	1	Accent Panel
3	1	Winch
Hardware Kit		
A	8	M8-1.25 x 12mm Flange Bolts
B	8	M8-1.25 x 25mm Flange Bolts
C	2	M6-1.0 x 65mm Flange Bolts
D	4	M6-1.0 x 20mm Flange Bolts
E	4	M6 Lock Washers
F	3	1/4"-20 x 3/4" Socket Cap Screw
G	3	1/4"-20 Lock Nut
H	2	Spacer
I	2	Zip Ties
J	2	1-1/4" Plastics Tubing Plugs

TOOLS

- 10 mm Socket
- 12 mm Socket
- 12 mm Wrench
- 13 mm Socket
- 13 mm wrench

BEFORE YOU BEGIN

If you do not feel comfortable installing your Thumper Fab HEADACHE RACK, please see your nearest POLARIS® Dealer for installation.



INSTALLATION INSTRUCTIONS

Install Accent Panel

Fasten the accent panel to the headache rack using 8 X M8-1.25 x 25mm flange bolts (C). Tighten evenly. (FIG 1).



Fig 1 - Install Accent Panel onto Headache Rack with Socket and/or wrench

Install Fairlead

Remove the fairlead from supplied box and slide it into place under the winch cover plate bull bar. Use the 2 short M8x1.25 bolts, M8 lock washer, and M8x1.25 nuts supplied in winch box along with socket and wrench to fasten fairlead to headache rack (FIG 2).



Fig 2 - Fasten fairlead to Headache Rack

INSTALLATION INSTRUCTIONS

Install Winch

Run winch cable through hole in winch cover plate and through fairlead to prepare to fasten the winch to the winch base plate. Be careful not to pinch cable (**FIG 3**).



FIG 3 - Thread Winch Cable through Fairlead

Fasten Winch

Fasten the winch to the winch base plate 4 x M6-1.0 x 20mm flange bolts (**D**) along with M6 lock washers (**E**) using 10mm socket (**FIG 4**).



FIG 4 - Fasten Winch to Winch Base Plate with 10mm Socket

INSTALLATION INSTRUCTIONS

FASTENING HEADACHE RACK TO ROPS

Hold the headache rack in place and use the (6) M8-1.25 x 12mm (A) flange bolts to fasten the headache rack to the upper threaded holes at the TOP of the roll cage. **Do not fully tighten until all bolts have been started. Once they have all been started, tighten all hardware.**



FIG 6 - Fasten Headache Rack Bolts

INSTALLATION INSTRUCTIONS

FASTENING HEADACHE RACK TO ROPS

After all (6) M8 bolts have been installed at the top mount brackets (loosely), install the M6x65mm bolts, along with the spacers, at the bottom mount bracket of the headache rack. Stock hardware that fastens the plastic will be removed and replaced with the M6x-65mm bolts. The spacers are to be installed between the plastic rear firewall and the bottom mount bracket of headache rack.



INSTALLATION INSTRUCTIONS

FASTENING HEADACHE RACK TO ROPS



After all mounting hardware has been installed, tighten all bolts.

Winch Wiring

Please refer to wiring instruction contained on the next page for a detailed wiring diagram for proper wiring of winch. Mount the remote switch for the winch to the accent panel (1) 1/4"-20 x 3/4" socket cap screw and (1) 1/4"-20 lock nuts. (FIG 7). The winch contactor can be mounted in the behind the passenger side wheel well, by the battery using the (2) 1/4"-20 x 3/4" socket cap screws (F) and (2) 1/4"-20 lock nuts (G) and (2) zipties (I) (FIG 8).



FIG 7 - Fasten switch to accent panel

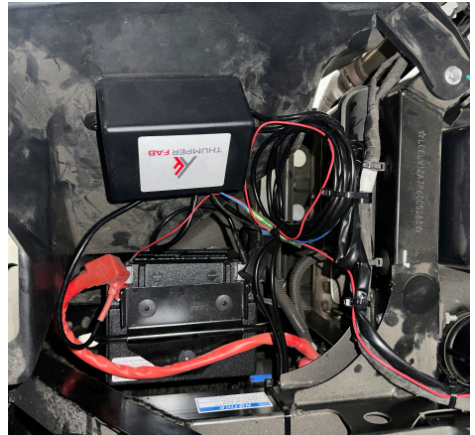
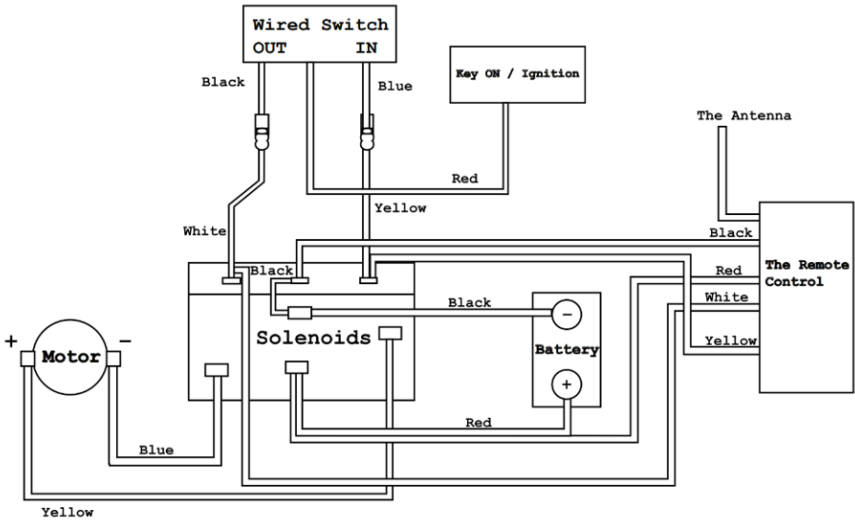


FIG 8 - Fasten winch contactor to inside of wheel well

INSTALLATION INSTRUCTIONS

Winch Wiring

Do not refer to wiring instructions contained in the winch box as it is not suitable for this application. Reference the following wiring diagram for wiring instructions for the winch.



Winch Wiring Diagram

Install Cube Lights (Optional)

Attach cube lights to the mount brackets using the hardware and brackets inside the light box (**FIG 9 & FIG 10**).

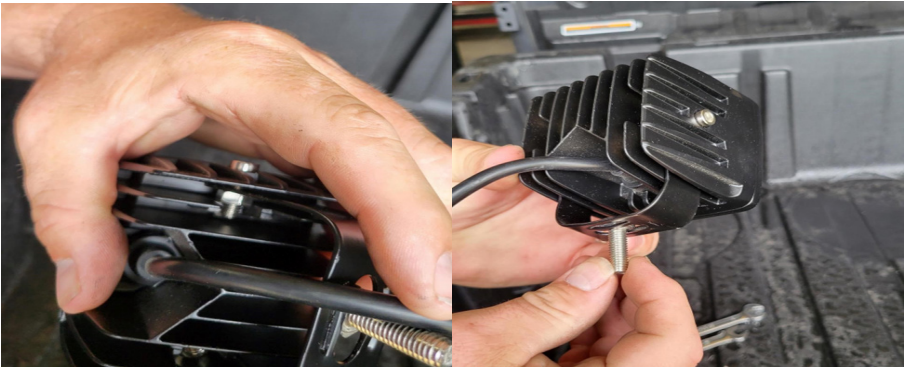


FIG 9 & FIG 10 - Fasten Cube Light to Mount Bracket

INSTALLATION INSTRUCTIONS

Using the hardware provided in the cube light box, fasten the cube light to the headache rack. Use the provided slots found in the winch mount plate to zip tie the cube light wires to the headache rack (**FIG 11 & FIG 12**).



FIG 11 - Fasten cube light to Headache Rack



FIG 12 - Zip Tie Cube Light wire pigtail to Headache Rack

Wiring Harness

A wiring harness and switch are provided to power your cube lights. (**FIG 13**).

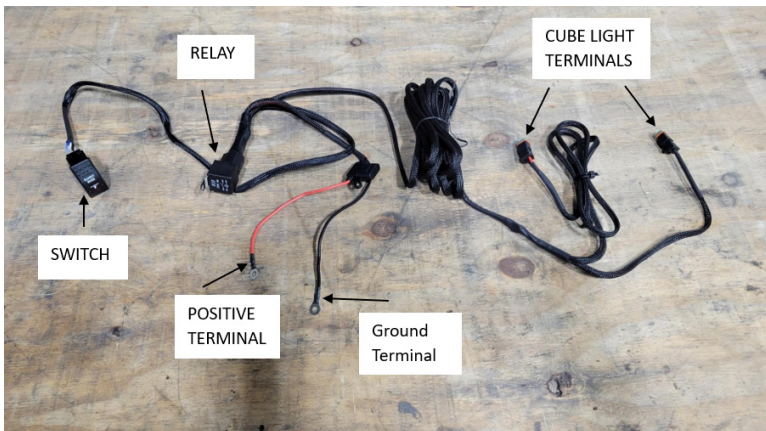


FIG 13 - Break down of Wiring Harness plugs and terminals

The installation of products sold or manufactured by Thumper Fab including, but not limited to suspension components such as lift kits, control arms, frame stiffener kits, roofs, roll cages, and tires that exceed the original specifications for the vehicle, may change the vehicle's center of gravity and handling characteristics both on- and off-road. You are aware that the installation of tires that are larger than original vehicle specifications may reduce the effectiveness of the braking system. Use of these products may place added stress to the original factory vehicle components which could cause them to weaken or possibly fail.

Products sold or manufactured by Thumper Fab are intended for off-road use only. Operation of a vehicle modified with these products on a road could result in serious bodily injury or death, and such operation may violate the laws of your state or municipality. You agree to operate your vehicle exclusively in the manner intended by the vehicle manufacturer. You agree that failure to safely and reasonably operate your vehicle could result in serious bodily injury or death, and that, as a result of installation of this product(s) to your vehicle, extreme care must be taken to prevent vehicle rollover or loss of control, which may be more likely to occur as a result of said modifications. You will avoid unsafe maneuvers, including sudden sharp turns or other abrupt maneuvers, which could make a vehicular accident more likely. You understand that Thumper Fab is not responsible or liable for any damages or any injuries to yourself or your passengers that could occur upon possible accidents due to driver error, incorrect installations, bad judgment, incompatibility with other aftermarket accessories or natural disasters to the fullest extent allowable by law. You will have all vehicle occupants fasten seatbelts, if equipped, and wear proper safety equipment, such as DOT approved helmet and eye protection prior to operating the vehicle. You understand and acknowledge that failure to wear proper safety equipment may increase the risk of serious bodily injury or death to yourself and any passengers.



THUMPER FAB

Thumper Fab

5103 Elysian Fields Rd, Marshall, TX 75672

Customer Service: 903-472-0928

www.thumperfab.com