

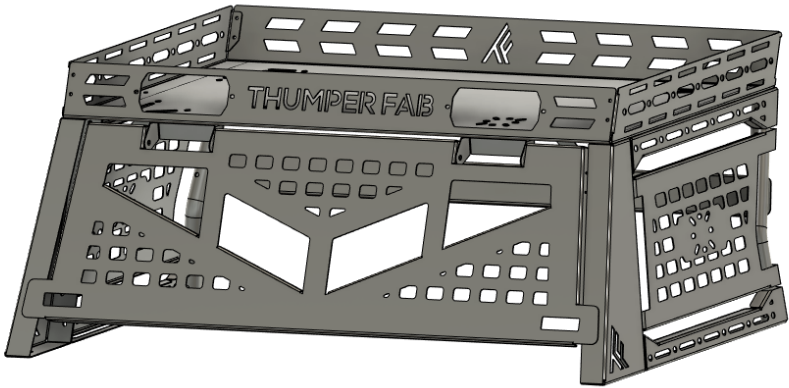


# THUMPER FAB

Aluminum Audio Roofs ♦ Roll Cages ♦ UTV Accessories

## Polaris Xpedition Bed Rack

SKU: TF201901



### Thumper Fab

5103 Elysian Fields Rd, Marshall, TX 75672

Customer Service: 903-472-0928

[www.thumperfab.com](http://www.thumperfab.com)

Ver. 0924

# Polaris Xpedition Bed Rack

SKU: TF201901



## BED RACK PARTS

REF	QTY	DESCRIPTION
1	1	Rear Pillar - DR
2	1	Rear Pillar - PA
3	1	Bottom Rail - DR
4	1	Bottom Rail - PA
5	1	Top Rail - DR
6	1	Top Rail - PA
7	1	Side Panel - DR
8	1	Side Panel - PA
9	1	Top Basket
10	1	Forward Brace
11	1	Forward Pillar - DR
12	1	Forward Pillar - PA
13	1	Racking Brace - DR
14	1	Racking Brace - PA

## TOOLS

- 5/32" Allen Wrench
- 3/8" Wrench
- 7/16" Wrench
- 10mm Socket and Wrench
- 12mm Socket
- 13mm Socket and Wrench
- 15mm Socket and Wrench

### Torque Specs:

SIZE (STANDARD)	GRADE 5	GRADE 8	SIZE (METRIC)	CLASS 8.8	CLASS 10.9
5/16"	15 ft/lbs	20 ft/lbs	6MM	5 ft/lbs	9 ft/lbs
3/8"	30 ft/lbs	35 ft/lbs	8MM	18 ft/lbs	23 ft/lbs
7/16"	45 ft/lbs	60 ft/lbs	10MM	32 ft/lbs	45 ft/lbs
1/2"	65 ft/lbs	90 ft/lbs	12MM	55 ft/lbs	75 ft/lbs
9/16"	95 ft/lbs	130 ft/lbs	14MM	85 ft/lbs	120 ft/lbs
5/8"	135 ft/lbs	175 ft/lbs	16MM	130 ft/lbs	165 ft/lbs
3/4"	185 ft/lbs	280 ft/lbs	18MM	170 ft/lbs	240 ft/lbs

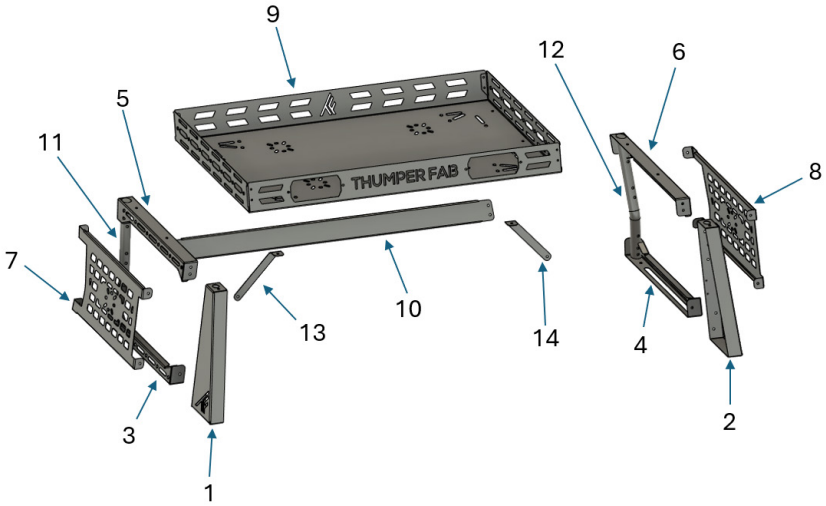
## BEFORE YOU BEGIN

If you do not feel comfortable installing your Thumper Fab Bed Rack, please see your nearest Polaris® Dealer for installation.

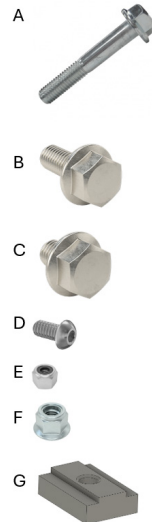
# Polaris Xpedition

## Bed Rack

SKU: TF201901



REF	QTY	HARDWARE KIT
A	16	M8x55mm Flange Head Bolt
B	24	M8x20mm Flange Head Bolt
C	4	M8x14mm Flange Head Bolt
D	8	1/4"x1/2" Button Head Screw
E	8	1/4" Lock Nut
F	40	M8 Flange Nylon Lock Nut
G	4	Lock and Ride Max Fasteners



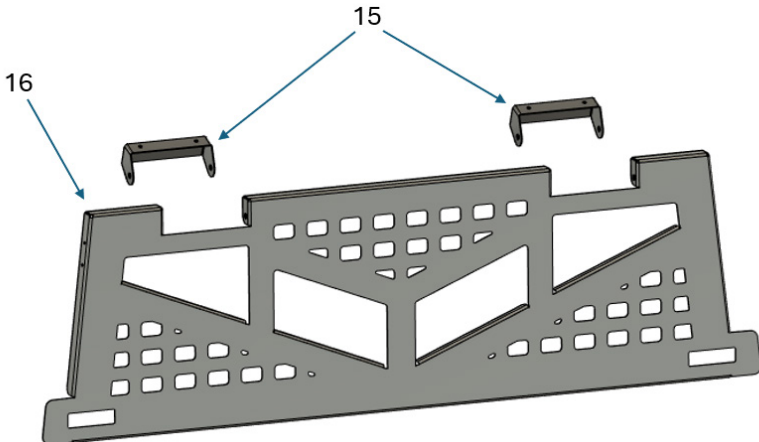
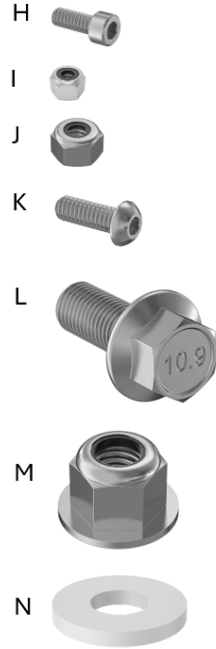
# Polaris Xpedition Bed Rack

SKU: TF201901



## TAILGATE PARTS (OPTIONAL)

REF	QTY	DESCRIPTION
15	2	Hinges
16	1	Rear Hatch
17	2	Gas Struts
18	2	Compression Latches
19	2	Angled Strut Mount
20	2	Straight Strut Mount
HARDWARE KIT		
H	8	#10x1/2" Socket Cap Screw
I	8	#10 Nylon Lock Nut
J	4	1/4" Nylon Lock Nut
K	4	1/4"x3/4" Button Head Screw
L	4	M10x25mm Flange Head Bolt
M	4	M10 Flange Nylon Lock Nut
N	4	M10 Nylon Washers



# INSTALLATION INSTRUCTIONS

## Installation

Begin the installation process by removing the rubber plug in the back side of the bed rails and inserting 2 lock and ride max fasteners into the bed rails on each side. Space fasteners to allow for easy mounting of lower rails (**FIG 1 & FIG 2**).



**FIG 1 & FIG 2 - Remove bed plug and insert Lock and Ride Max Fasteners into Bed Rail**

Fasten the bottom rails to the bed rails using 4 x M8x14mm flange head bolts. Loosley tighten using a 12mm socket, do not fully tighten (**FIG 3**).

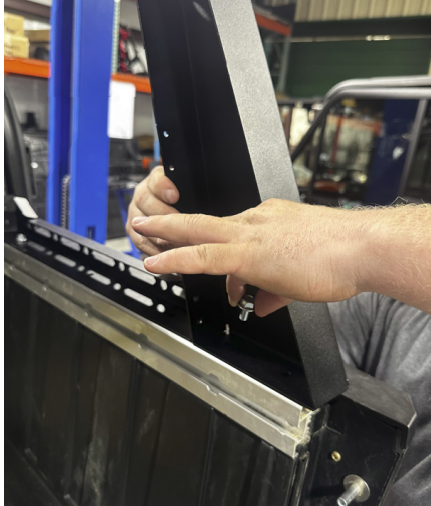


**FIG 3 - Loosley Fasten Bottom Rails to Bed Rail**

# INSTALLATION INSTRUCTIONS

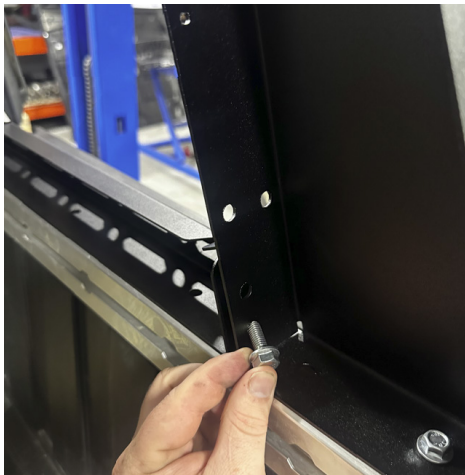
## Installation

Loosely fasten rear pillars to bed rails using 2 x M8x14mm flange head bolts. Use a 12mm socket to loosely tighten, do not fully tighten at this time (**FIG 4**).



**FIG 4 - Mount Rear Pillars to Bed Rails**

Fasten the rear pillars to the bottom rails using 2 x M8x20mm flange head bolts and 2 x M8 flange nylon lock nut. Loosely tighten using a 13mm socket and 13mm wrench (**FIG 5**).



**FIG 5 - Loosely Fasten Bottom Rails to Rear Pillars**

# INSTALLATION INSTRUCTIONS

## Installation

Loosely fasten front pillars to bottom rails using 4 x M8x55mm flange head bolts and 4 x M8 flange nylon lock nut. Use a 13mm socket and 10mm wrench to loosely tighten, do not fully tighten at this time (**FIG 6**).



**FIG 6 - Mount Front Pillars to Bottom Rails**

Fasten the forward brace to the front pillars using 4 x M8x55mm flange head bolts and 4 x M8 flange nylon lock nuts. Loosely tighten using a 13mm socket and 10mm wrench, do not fully tighten (**FIG 7**).



**FIG 7 - Mount Forward Brace to Front Pillars**

# INSTALLATION INSTRUCTIONS

## Installation

Loosley fasten top rails to the front pillars using 4 x M8x55mm flange head bolts and 4 x M8 flange nylon lock nut. Fasten the top rail to the rear pillar using 4 x M8x20mm flange head bolts and 4 x M8 flange nylon lock nuts. Use a 13mm socket and 10mm or 13mm wrench to loosley tighten, do not fully tighten at this time (**FIG 8**).



**FIG 8 - Mount Top Rails to Front and Rear Pillars**

Fasten the flanges of the top basket together using 8 x 1/4"x1/2" button head screws and 8 x 1/4" nylon lock nuts. Tighten using a 5/32" allen wrench and a 7/16" socket (**FIG 9**).



**FIG 9 - Fasten flanges of Top Basket together**



# INSTALLATION INSTRUCTIONS

## Installation

If light option was selected, mount the lights to the top basket using the brackets and hardware supplied in the light bar box. First mount the brackets to the light bars (**FIG 10**).



**FIG 10 - Mount Light Bar Brackets to Light Bars (OPTIONAL)**

Fasten the light bars to the top basket using hardware and tools contained in the light bar box (**FIG 11**).



**FIG 11 - Mount Light Bars to Top Basket (OPTIONAL)**

# INSTALLATION INSTRUCTIONS

## Installation

Fasten the top basket to the top rails and rear pillars using 6 x M8x20mm flange head bolts and 6 x M8 flange nylon lock nuts. Loosley tighten using a 13mm socket and 13mm wrench (**FIG 12**).



**FIG 12 - Mount Top Basket to Top Rails and Rear Pillars**

Fasten the side panels to the bed rack using 4 x M8x55mm flange head bolts, 4 x M8x20mm flange head bolts, and 8 x M8 flange nylon lock nuts. Loosley tighten using a 10mm wrench, 13mm wrench, and a 13mm socket. Do not fully tighten (**FIG 13**).

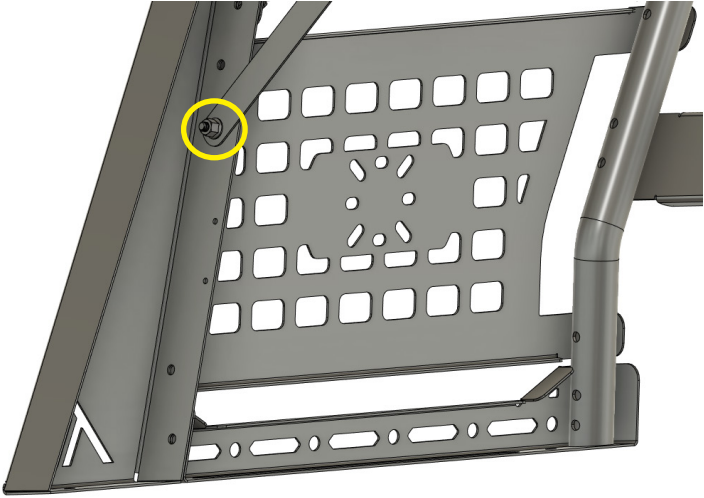


**FIG 13 - Mount Side Panels to Bed Rack**

# INSTALLATION INSTRUCTIONS

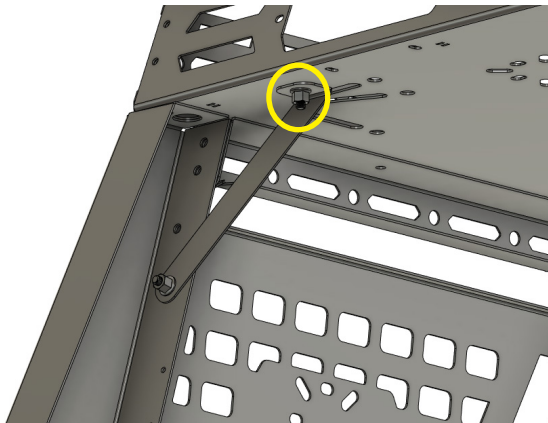
## Installation

Fasten the racking brace to the rear pillars using 2 x M8x20mm flange head bolts and 2 x M8 flange nylon lock nuts. Loosley tighten using a 13mm socket and 13mm wrench (**FIG 14**).



**FIG 14 - Fasten Racking Brace to the Rear Pillars**

Fasten the racking brace to the underside of the top basket using 2 x M8x20mm flange head bolts using a 13mm socket and 13mm wrench. Do not fully tighten until rack is square and is positioned evenly on the bed. Once situated, tighten all hardware evenly (**FIG 15**).



**FIG 15 - Mount Racking Brace to Top Basket**

# INSTALLATION INSTRUCTIONS

## Installation (Tailgate OPTION)

If tailgate option was selected, mount the hinges to the underside of the top basket using 4 x 1/4"x3/4" button head screws and 4 x 1/4" nylon lock nuts. Tighten using a 5/32" allen wrench and a 7/16" socket (FIG 16).



FIG 16 - Mount Hinges to Top Basket

Fasten the rear hatch to the hinges using 4 x M10x25mm flange head bolts, 4 x M10 plastic washers, and 4 x M10 flange nylon lock nuts. Insert the plastic washers between the faces of the rear hatch and the hinges. Softly tighten using a 15mm socket and 15mm wrench. Do not overtighten to allow struts to be able to open rear hatch smoothly (FIG 17 & FIG 18).

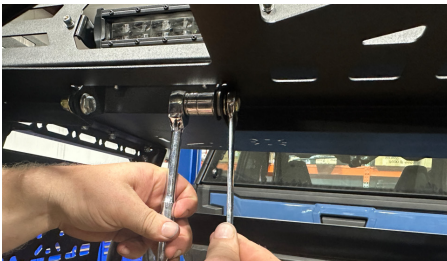
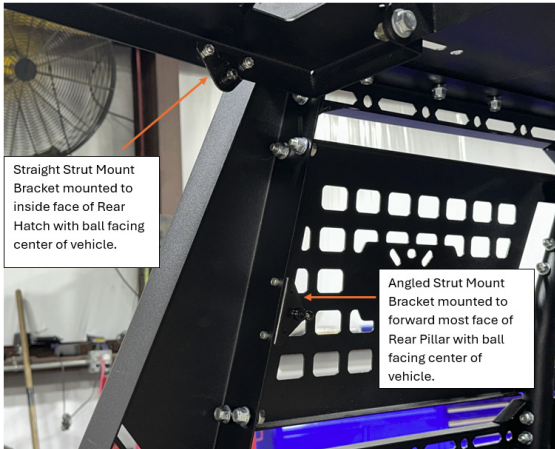


FIG 17 & FIG 18 - Mount Rear Hatch to Hinges

# INSTALLATION INSTRUCTIONS

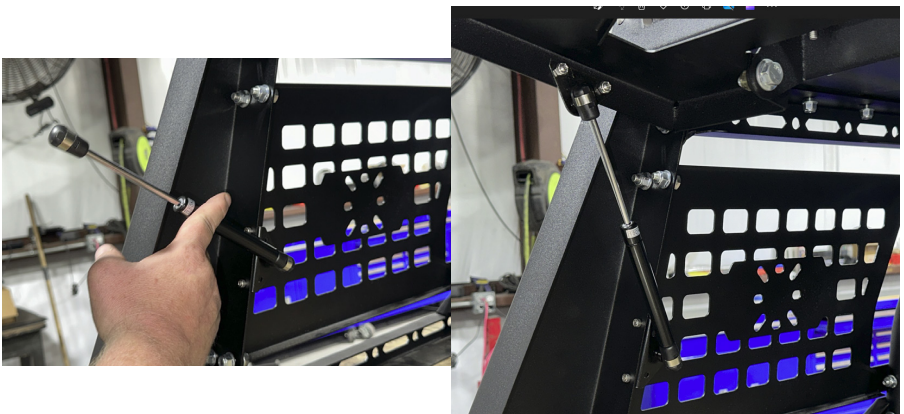
## Installation (Taligate OPTION)

Mount the strut mounts to the bed rack and rear hatch using 8 x #10x1/2" socket cap screws and 8 x #10 nylon lock nuts. Mount the angled strut mount bracket to the rear pillar and the straight strut mount to the inside face of the rear hatch. Tighten using a 5/32" allen wrench and 3/8" wrench (**FIG 19**).



**FIG 19 - Mount Strut Mount Bracket to Rear Pillar and Rear Hatch**

Attach the struts to the strut mount by pressing the end of the strut over the ball mount. The body of the strut will fasten to the angled strut mount on the rear pillar (**FIG 20 & FIG 21**).



**FIG 20 & FIG 21 - Attach the Strut to the Strut Mounts**

## INSTALLATION INSTRUCTIONS

### Installation (Taligate OPTION)

Mount the compression latches to the rear hatch using the mount bracket supplied with the latches and tightening with a phillips head screwdriver. Do not over tighten to avoid issues with latches opening and operating smoothly (**FIG 22**).



**FIG 22 - Mount Compression Latches to the Rear Hatch**

Adjust the compression latches once installed to ensure that the rear hatch fully closes against the rear pillars and stays closed until the button on the latch is depressed to open the rear hatch. With the tailgate fully closed, it should not rattle but still release when the compression latch button is depressed.

# INSTALLATION INSTRUCTIONS

## PRODUCT DISCLAIMER

The installation of products sold or manufactured by Thumper Fabrication, LLC (Thumper Fab) including, but not limited to suspension components such as lift kits, audio roofs, roll cages, frame stiffener kits, and tires that exceed the original specifications for the vehicle, may change the vehicle's center of gravity and handling characteristics both on- and off-road. You are aware that the installation of tires that are larger than original vehicle specifications may reduce the effectiveness of the braking system. Use of these products may place added stress to the original factory vehicle components which could cause them to weaken or possibly fail.

Products sold or manufactured by Thumper Fab are intended for off-road use only. Operation of a vehicle modified with these products on a road could result in serious bodily injury or death, and such operation may violate the laws of your state or municipality. You agree to operate your vehicle exclusively in the manner intended by the vehicle manufacturer. You agree that failure to safely and reasonably operate your vehicle could result in serious bodily injury or death, and that, as a result of installation of this product(s) to your vehicle, extreme care must be taken to prevent vehicle rollover or loss of control, which may be more likely to occur as a result of said modifications. You will avoid unsafe maneuvers, including sudden sharp turns or other abrupt maneuvers, which could make a vehicular accident more likely. You understand that Thumper Fab is not responsible or liable for any damages or any injuries to yourself or your passengers that could occur upon possible accidents due to driver error, incorrect installations, bad judgment, incompatibility with other aftermarket accessories or natural disasters to the fullest extent allowable by law. You will have all vehicle occupants fasten seatbelts, if equipped, and wear proper safety equipment, such as DOT approved helmet and eye protection prior to operating the vehicle. You understand and acknowledge that failure to wear proper safety equipment may increase the risk of serious bodily injury or death to yourself and any passengers.

Proper installation of products sold or manufactured by Thumper Fab requires knowledge of the factory recommended procedures for removal and installation of original equipment components. Installation of these products without proper knowledge and experience may affect the performance of these components and the safety of the vehicle and cause serious bodily injury or death. It is strongly recommended that a certified mechanic familiar with the installation of similar components perform the product(s) installation.

Prior to installing any products sold or manufactured by Thumper Fab, you will perform or cause to be performed an inspection of their vehicle to confirm its condition is suitable for the installation of these products. A proper inspection of the vehicle includes confirmation that the vehicle has not been in a collision and is free of corrosion. If the vehicle is suspected to have been in a collision or misused, or is otherwise unsuitable for modification, you will not install the product(s). You will continue to inspect the vehicle prior to each use to confirm its condition is suitable for its intended use, and you acknowledge that the failure to do so may result in serious bodily injury or death, as well as damage to the vehicle itself.

You will install any warning labels provided with the product so it may be prominently seen by yourself and all passengers. You will notify all passengers of the modifications performed to your vehicle prior to operation.

Insurance companies may handle coverage of a modified vehicle differently. Please check with your insurance carrier prior to modifying the vehicle to ensure your coverage remains sufficient. Installation of this product(s) may void your vehicle warranty. If this is a concern, please check with the manufacturer or dealer before purchase or installation of this product(s).



**THUMPER FAB**

**Thumper Fab**

5103 Elysian Fields Rd, Marshall, TX 75672

Customer Service: 903-472-0928

[www.thumperfab.com](http://www.thumperfab.com)