



THUMPER FAB

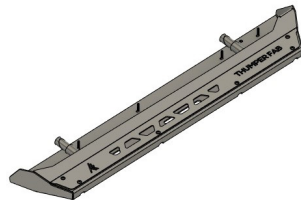
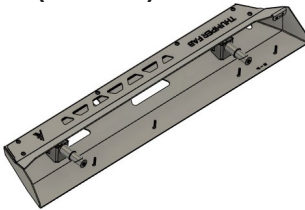
Aluminum Audio Roofs • Roll Cages • UTV Accessories

POLARIS XPEDITION **NERF RAILS (CREW & 2 SEAT)**

SKU: TF200701 (CREW)



SKU: TF200702 (2 SEAT)



Thumper Fab

5103 Elysian Fields Rd, Marshall, Tx 75672

Customer Service: 903-472-0928

Polaris XPEDITION NERF RAILS (CREW & 2 Seat)



SKU: TF200701 & TF200702

PARTS

REF	QTY	DESCRIPTION
1	1	TOP BODY - DRIVER (D)
2	1	TOP BODY - PASSENGER (P)
3	1	BOTTOM BODY - DRIVER (D)
4	1	BOTTOM BODY - PASSENGER (P)
5	1	MOUNT BRACKET
6	6 for crew 4 for 2 Seat	WEDGE ANCHOR - Through Hole Mount
7	6 for crew 4 for 2 Seat	WEDGE ANCHOR - Threaded Wedge
HARDWARE (For 2 Seat)		
A	6	M10 x 100mm Hex Head Bolt
B	6	M10 Split Washer
C	6	M8 Button Head Screw
D	6	M8 Locknut
E	16	M6 x 20mm Button Flanged-Head Screw
F	12	M6 x 30mm Button Flanged-Head Screw
G	16	M6 Locknut
HARDWARE (For Crew)		
A	4	M10 x 100mm Hex Head Bolt
B	4	M10 Split Washer
C	4	M8 Button Head Screw
D	4	M8 Locknut
E	12	M6 x 20mm Button Flanged-Head Screw
F	8	M6 x 30mm Button Flanged-Head Screw
G	12	M6 Locknut

TOOLS

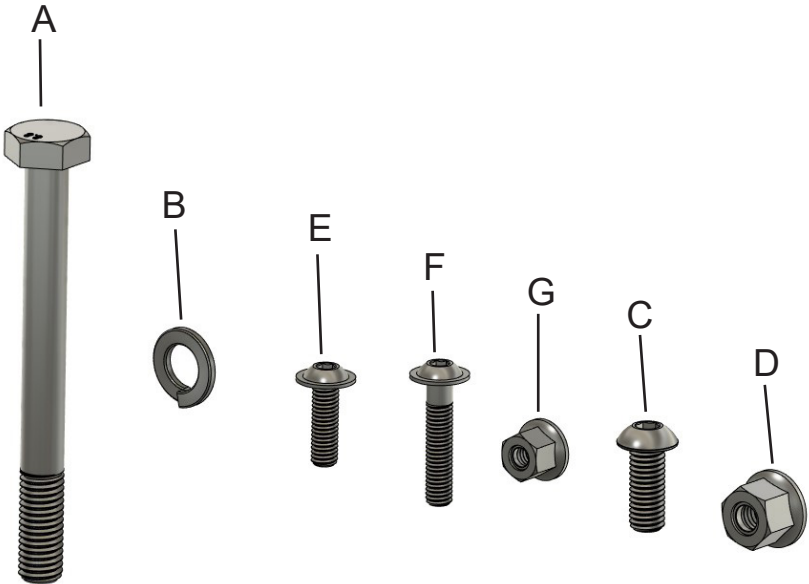
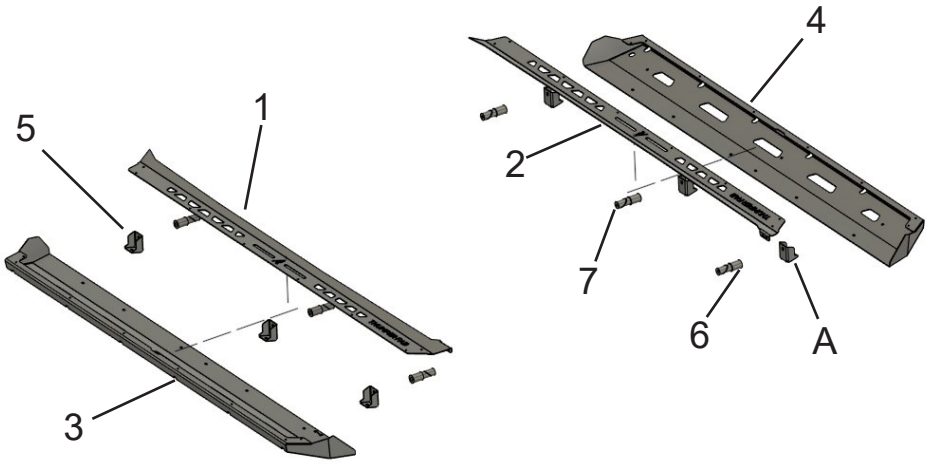
- Drill
- 1.5" Hole Saw
- T 40 Torx
- 4mm Allen
- 5mm Allen
- 10mm Socket
- 13mm Socket
- 17mm Socket

BEFORE YOU BEGIN

If you do not feel comfortable installing your **Thumper Fab** INSERT PRODUCT, please see your nearest INSERT BRAND® Dealer for

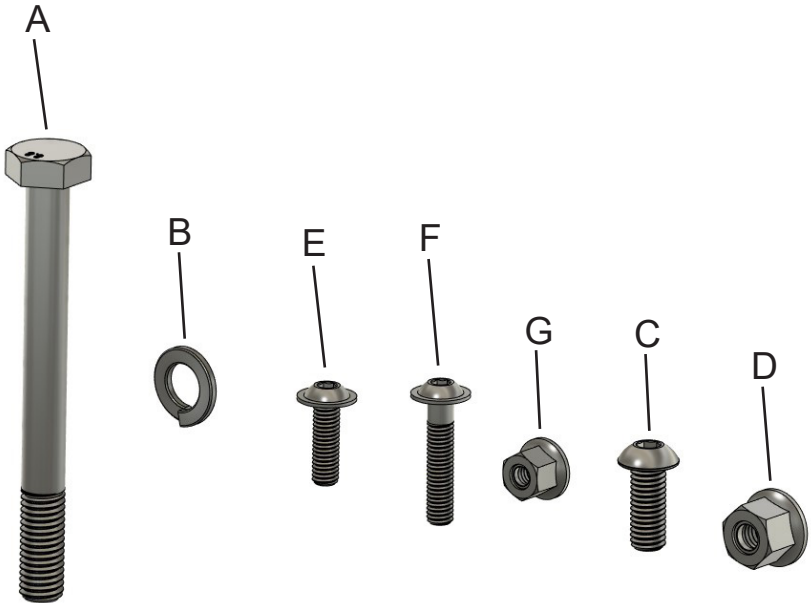
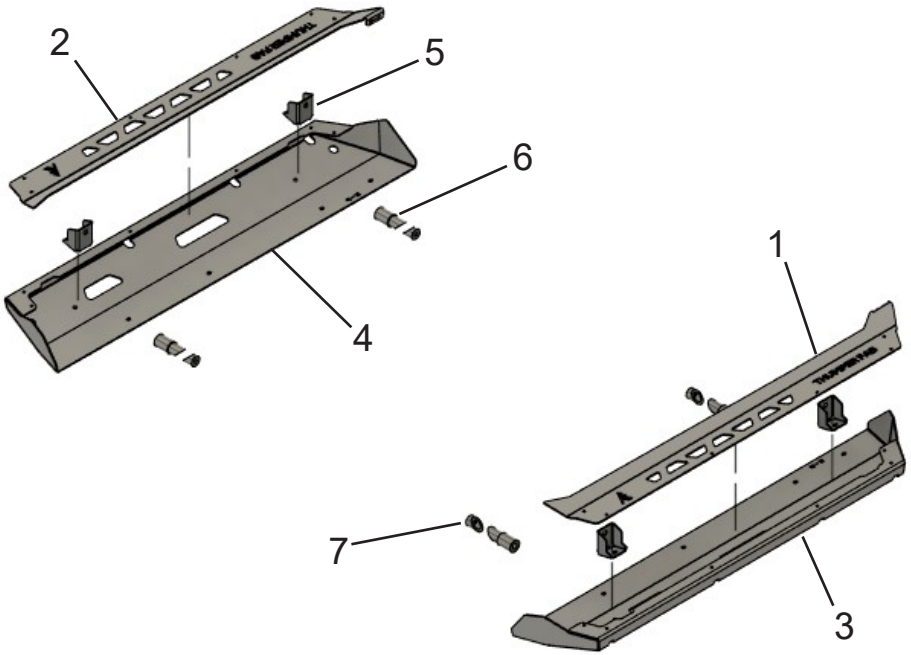
INSTALLATION INSTRUCTIONS

CREW NERF RAILS



INSTALLATION INSTRUCTIONS

2 SEAT NERF RAILS



INSTALLATION INSTRUCTIONS

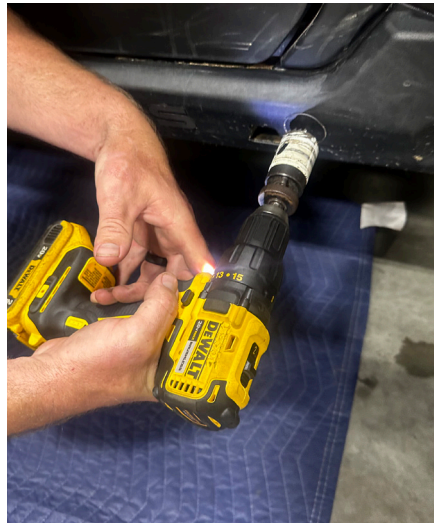
Removing oem hardware

First, start by removing all of the torx head screws along the bottom of the rocker panel that fasten the skid plate using the T40 Torx. Set these aside. They will all be replaced with the hex drive screws provided in the kit.



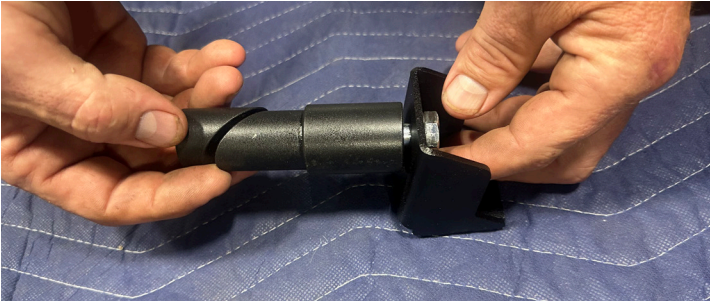
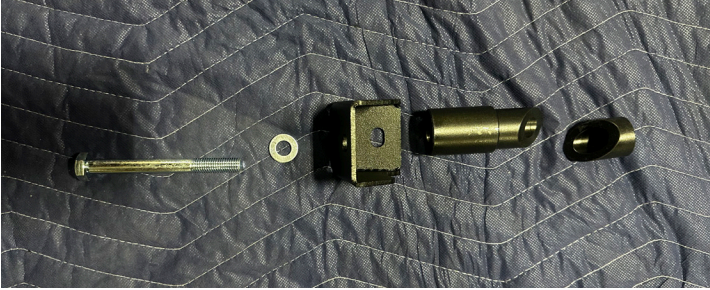
Drill holes in plastic

Next, using a drill and a 1.5" hole saw, drill out the holes in the plastics. The locations of the holes are molded into the plastics.



INSTALLATION INSTRUCTIONS

Next, locate the wedge anchor, through hole mounts and threaded wedges, mount brackets, M10 x 100mm bolts, and M10 Split washers. Pre-assemble the wedge anchor/mount brackets sub-assemblies as shown below. Then install them into the previously drilled holes.



Tighten the M10 bolt just enough to create tension inside the mount tube in the frame, but loose enough so that the mount bracket still swivels. It will be completely tightened after the Nerf Rail Bottom Body has been installed into place.

INSTALLATION INSTRUCTIONS

Install Nerf Rail Bottom Body

Next, locate the bottom bodies, driver and passenger. Lift the bottom body up into place. Using the M8 button head screws and M8 locknuts, place the screws up through the bottom body, then through the mount brackets. Then fasten with the M8 Locknuts.



INSTALLATION INSTRUCTIONS

Next, continue fastening the Bottom Body using the M6 x 30mm screws where the OEM Torx screws were previously removed. Tighten these and then move onto tightening all of the M10 and M8 hardware as well.



Installing Nerf Rail Top Body

Next, fasten the Top Body onto the Bottom Body using the M6 x 20mm screws and the M6 Locknuts. Place the Top Body on top of the Bottom Body and insert the M6 x 20mm screws through the holes in the top and fasten the M6 locknuts up through the bottom body. After all hardware in place, ensure that all hardware has been tightened.





THUMPER FAB

Thumper Fab

5103 Elysian Fields Rd, Marshall, Tx 75672

Customer Service: 903-472-0928

www.thumperfab.com