

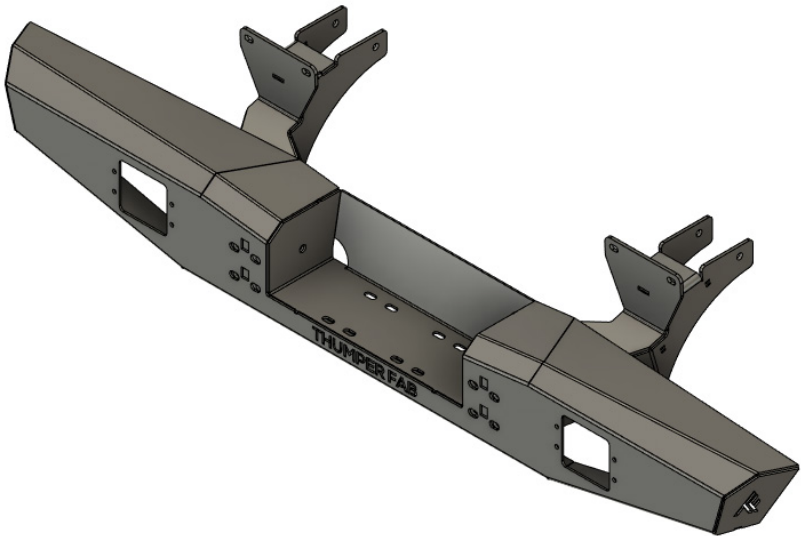


THUMPER FAB

Aluminum Audio Roofs • Roll Cages • UTV Accessories

Polaris Xpedition Rear Bumper

SKU: TF200601



Thumper Fab

5103 Elysian Fields Rd, Marshall, TX 75672

Customer Service: 903-472-0928

www.thumperfab.com

Ver. 0324

Polaris Xpedition Rear Winch Bumper

SKU: TF200601



PARTS

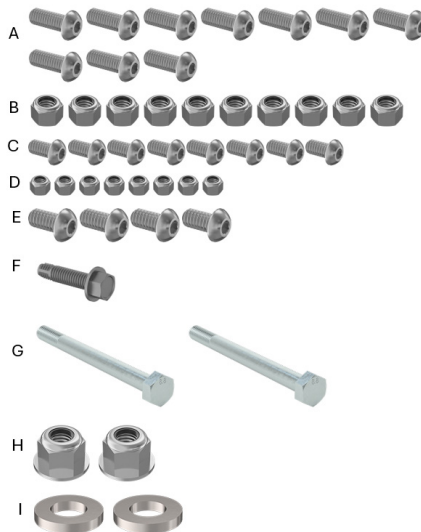
REF	QTY	DESCRIPTION
1	1	Bumper Body
2	1	Driver Side Mounting Bracket
3	1	Passenger Side Mounting Bracket
4	2	Cube Light Covers
HARDWARE KIT		
A	10	3/8" x 1" Button Head Screw
B	10	3/8" Flanged Nylon Lock Nut
C	8	1/4" x 1/2" Button Head Screw
D	8	1/4" Nylon Lock Nut
E	4	5/16" x 3/4" Button Head Screw
F	1	5/16" x 1" Hex Head Thread Forming Screw
G	2	M8 x 95mm Hex Head Bolt
H	2	M8 Flanged Nylon Lock Nut
I	2	M8 Flat Washer

TOOLS

- 13mm Socket and Wrench
- T40 Torx
- 7/16" Socket
- 9/16" Socket
- 5/32" Allen
- 3/16" Allen
- 7/32" Allen
- Drill
- 1/4" Drill Bit

BEFORE YOU BEGIN

If you do not feel comfortable installing your **Thumper Fab** Rear Bumper, please see your nearest Polaris® Dealer for installation.



INSTALLATION INSTRUCTIONS

Installation Preparation

Remove the tailgate assembly and set aside, unplugging the camera if necessary (**FIG 1**).



FIG 1 - Remove Tailgate Assembly

Remove OEM hardware, loosely install bumper brackets (**2&3**) using 2 x M8 x 95mm hex head bolts (**G**), 2 x M8 flat washers (**I**) and 2 x M8 flanged nylon lock nuts (**H**). Loosely tighten using a 13mm socket and wrench (**FIG 2**).

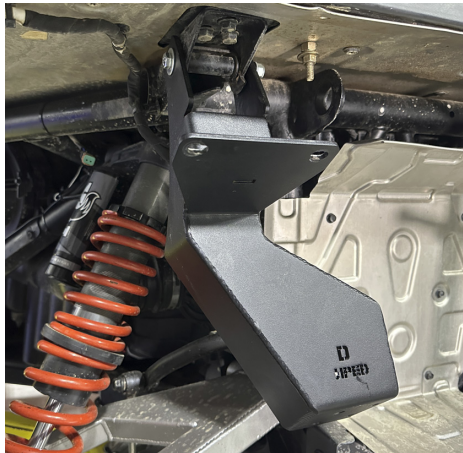


FIG 2 - Loosely fasten Mount Brackets (2&3) using a 13mm Socket and Wrench

INSTALLATION INSTRUCTIONS

Installation

With brackets (2&3) loosely fastened to the frame of the vehicle, pivot them up so that the bumper mount is facing the rear of the vehicle and mounting face is perpendicular to the floor (**FIG 3**).



FIG 3 - Pivot Brackets (2&3) into Position

Before mounting bumper body (1) install either cube light covers (4) or cube light depending on selected option at time of purchase. Use 8 x 1/4" x 1/2" button head screws (C) and 8 x 1/4" nylon lock nuts (D) to fasten cube lights to bumper body using a 5/32" allen and 7/16" wrench (**FIG 4**).



FIG 4 - Mount Cube Lights or Cube Light Covers using 5/32" Allen and 7/16" Wrench

INSTALLATION INSTRUCTIONS

Fasten the bumper body (1) to mount brackets (2&3) using 10 x 3/8" x 1" button head screws (A) and 10 x 3/8" flanged nylon lock nuts (B). Tighten using a 7/32" allen and 9/16" socket. Once all bumper body mounting bolts are tight, support bumper body from the bottom, raising into position before marking holes to drill where arrows are below (FIG 5).

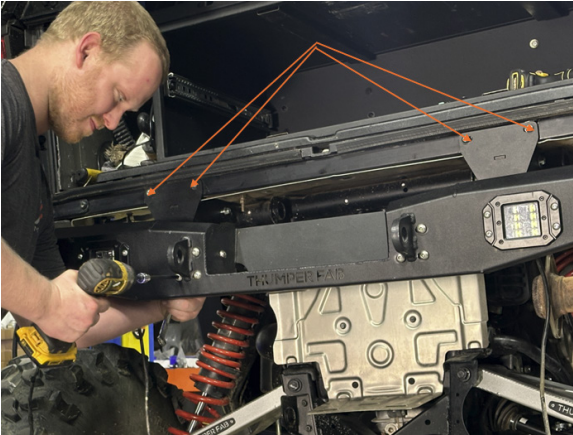


FIG 5 - Mount Bumper Body (1) using 7/32" Allen and 9/16" Socket

Use a drill with a 1/4" drill bit to drill pilot holes marked in previous step. Drill holes in the middle of the slot once bracket has been pivoted up. Top of bracket should rest on weatherstripping as shown below (FIG 6).



FIG 6 - Use a 1/4" Drill bit to drill pilot holes using Brackets (2&3) as a template

INSTALLATION INSTRUCTIONS

Installation

With pilot holes drilled use the 5/16" hex head thread forming screw (F) to create threads in all 4 pilot holes, then discard screw (FIG 5).



FIG 7 - Use Thread Forming screw to prepare for 5/16" Button Head Screws

Fasten the top portion of brackets using 4 x 5/16" x 3/4" button head screws (E) using a 3/16" allen (FIG 8).

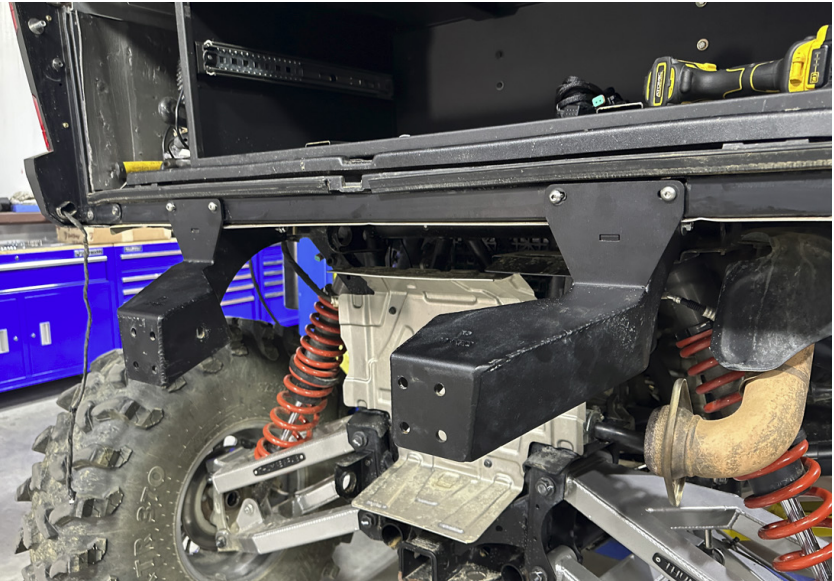


FIG 6 - Install 5/16" x 3/4" Button Heads Screws (E) with 7/32" Allen

INSTALLATION INSTRUCTIONS

Installation

Remove the 5 x factory T40 Torx fastening the drip lip to the underside of the tailgate and set the drip lip aside (**FIG 9**).



FIG 9 - Remove Drip Lip using a T40 Torx

Reinstall the 5 x OEM T40 Torx bolts into the underside of the tailgate and reinstall the tailgate on the unit. Reconnect the rear camera back up if applicable (**FIG 10**).



FIG 10 - Reinstall T40 Torx bolts and mount Tailgate back on vehicle

If cube light option was selected, use the provided harness to connect the cube lights to the pulse bar under the hood. Route the switch to an open position in the dash, taking care to route any wires away from any hot engine components including exhaust, heat shield, etc as well as ensuring wires are not routed close to any moving or rotating components. Once all wiring is completed, test the lights and enjoy your new Thumper Fab rear Bumper!

INSTALLATION INSTRUCTIONS

PRODUCT DISCLAIMER

The installation of products sold or manufactured by Thumper Fabrication, LLC (Thumper Fab) including, but not limited to suspension components such as lift kits, audio roofs, roll cages, frame stiffener kits, and tires that exceed the original specifications for the vehicle, may change the vehicle's center of gravity and handling characteristics both on- and off-road. You are aware that the installation of tires that are larger than original vehicle specifications may reduce the effectiveness of the braking system. Use of these products may place added stress to the original factory vehicle components which could cause them to weaken or possibly fail.

Products sold or manufactured by Thumper Fab are intended for off-road use only. Operation of a vehicle modified with these products on a road could result in serious bodily injury or death, and such operation may violate the laws of your state or municipality. You agree to operate your vehicle exclusively in the manner intended by the vehicle manufacturer. You agree that failure to safely and reasonably operate your vehicle could result in serious bodily injury or death, and that, as a result of installation of this product(s) to your vehicle, extreme care must be taken to prevent vehicle rollover or loss of control, which may be more likely to occur as a result of said modifications. You will avoid unsafe maneuvers, including sudden sharp turns or other abrupt maneuvers, which could make a vehicular accident more likely. You understand that Thumper Fab is not responsible or liable for any damages or any injuries to yourself or your passengers that could occur upon possible accidents due to driver error, incorrect installations, bad judgment, incompatibility with other aftermarket accessories or natural disasters to the fullest extent allowable by law. You will have all vehicle occupants fasten seatbelts, if equipped, and wear proper safety equipment, such as DOT approved helmet and eye protection prior to operating the vehicle. You understand and acknowledge that failure to wear proper safety equipment may increase the risk of serious bodily injury or death to yourself and any passengers.

Proper installation of products sold or manufactured by Thumper Fab requires knowledge of the factory recommended procedures for removal and installation of original equipment components. Installation of these products without proper knowledge and experience may affect the performance of these components and the safety of the vehicle and cause serious bodily injury or death. It is strongly recommended that a certified mechanic familiar with the installation of similar components perform the product(s) installation.

Prior to installing any products sold or manufactured by Thumper Fab, you will perform or cause to be performed an inspection of their vehicle to confirm its condition is suitable for the installation of these products. A proper inspection of the vehicle includes confirmation that the vehicle has not been in a collision and is free of corrosion. If the vehicle is suspected to have been in a collision or misused, or is otherwise unsuitable for modification, you will not install the product(s). You will continue to inspect the vehicle prior to each use to confirm its condition is suitable for its intended use, and you acknowledge that the failure to do so may result in serious bodily injury or death, as well as damage to the vehicle itself.

You will install any warning labels provided with the product so it may be prominently seen by yourself and all passengers. You will notify all passengers of the modifications performed to your vehicle prior to operation.

Insurance companies may handle coverage of a modified vehicle differently. Please check with your insurance carrier prior to modifying the vehicle to ensure your coverage remains sufficient. Installation of this product(s) may void your vehicle warranty. If this is a concern, please check with the manufacturer or dealer before purchase or installation of this product(s).



THUMPER FAB

Thumper Fab

5103 Elysian Fields Rd, Marshall, TX 75672

Customer Service: 903-472-0928

www.thumperfab.com