



THUMPER FAB

Aluminum Audio Roofs • Roll Cages • UTV Accessories

TRACKER OFF ROAD 800SX Headache Rack

SKU: TF071601



Thumper Fab

5103 Elysian Fields Rd, Marshall, TX 75672

Customer Service: 903-472-0928

www.thumperfab.com

Ver. 0824

TRACKER OFF ROAD 800SX

Headache Rack

SKU: TF071601



PARTS

| REF | QTY | DESCRIPTION |
|--------------------------|-----|----------------------------------|
| 1 | 1 | Headache Rack |
| 2 | 1 | Winch |
| 3 | 1 | Fairlead |
| 4 | 1 | Winch Contactor |
| 5 | 1 | Retention Cable Mount |
| 6 | 1 | Winch Remote |
| Hardware Kit | | |
| A | 4 | M10-1.25 x 60mm Socket Cap Screw |
| B | 2 | Spacer |
| C | 4 | M8-1.25 x 25mm Flange Bolt |
| D | 4 | M8-1.25 x 20mm Flange Bolt |
| E | 8 | M8-1.25 Lock Nut |
| G | 3 | 1/4"-20 x 1" Button Head Screw |
| H | 3 | 1/4"-20 Lock Nut |
| I | 4 | 1/4" Flat Washer |
| K | 4 | M6-1 x 20mm Hex Bolt |
| L | 4 | M6 Flat Washer |
| M | 4 | M6 Lock Washer |
| N | 1 | 5/16" Clevis Pin |
| O | 2 | 5/16" Flat Washer |
| Optional Hardware | | |
| P | 1 | Rear Window Cover |
| Q | 8 | 1-1/4" Tubing Clamps |
| R | 8 | 1/4"-20 x.5" Button Head Screw |
| S | 8 | 1/4" Lock Washer |

TOOLS

- 3/8" Drive Ratchet
- * 7/16" Wrench
- 10mm Socket
- 13mm Socket
- 8mm Allen Wrench
- 5/32" Allen Wrench
- Flat Head
- Drill
- Step Up Drill Bit

BEFORE YOU BEGIN

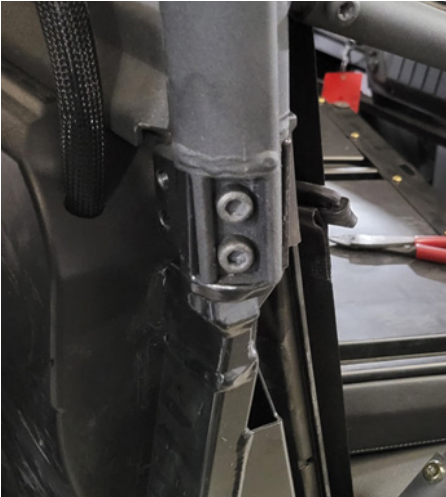
If you do not feel comfortable installing your Thumper Fab Headache Rack, please see your nearest Tracker® Dealer for installation.



INSTALLATION INSTRUCTIONS

Remove Rear Hardware & Insert Spacers

Lift the bed of the unit so that it is in the dump position. Locate and remove the 4 x M10-1.25 socket cap screws that fasten the rear of the roll cage to the frame of the unit using a 8mm allen (**FIG 1**). Be careful to hold the M10-1.25 lock nut on the back side during removal as these lock nuts will be reused in the installation of the headache rack. Place spacers in void in roll cage mount created by removing the stock hardware below (**FIG 2**).



**FIG 1 - Remove Lower Stock Bolts
(8mm Allen Wrench)**



FIG 2 - Place Spacer

Install Headache Rack

Place the headache rack into position and insert the 4 x M8-1.25 lock nuts (**E**) inside slots in the bungs in the top of cage. Thread in by hand the M8-1.25 x 25mm flange bolts (**C**) to hold the top of the headache rack (**FIG 3**). **DO NOT FULLY TIGHTEN.**



**FIG 3 - Position Headache Rack &
Install Top Bolts**

INSTALLATION INSTRUCTIONS

Install Lower Mounting Hardware

Thread in by hand the 4 x M10-1.25 x 60mm socket cap screws (**A**) through the lower bracket of the headache rack and spacers and through the frame of the unit while holding the previously removed factory M10-1.25 lock nuts in place (**FIG 4**). **DO NOT FULLY TIGHTEN.**

Install the remaining 4 x M8-1.25 lock nuts (**E**) inside the slots in the bungs in the lower portion of the cage (**FIG 5**). Using the 13mm socket tighten the lower 4 x M8-1.25 x 20mm flange bolts (**D**) while holding the M8-1.25 lock nuts (**E**) in place. Tighten remaining upper and lower mounting bolts evenly until tight.



FIG 4 - Thread in M10-1.25 x 60mm socket cap screws using 8mm Allen Wrench



FIG 5 - Thread and tighten lower bolts using 13mm Socket

INSTALLATION INSTRUCTIONS

Install Fairlead and Winch

Fasten the Fairlead to the Winch Cover Plate using 2 x 1/4"-20 x 1" socket cap screw (**G**) with 2 x 1/4" flat washers (**I**) and 1/4"-20 lock nuts (**H**) (**FIG 6**).



FIG 6 - Install Fairlead using 5/32" Allen Wrench and 7/16" Wrench

Install Winch

Fasten the winch to the winch mount plate using the 4 x M6-1.00 x 20mm hex bolts (**K**) with the supplied 4 x M6 flat washers (**L**) and 4 x M6 lock washers (**M**) using the 10mm socket (**FIG 7**). Refer to the next page for wiring instructions.



FIG 7 - Install Winch 10mm Socket

INSTALLATION INSTRUCTIONS

Winch Wiring

Do not refer to wiring instructions contained in the winch box as it is not suitable for this application. Reference the following wiring diagram for wiring instructions for the winch (**FIG 8**).

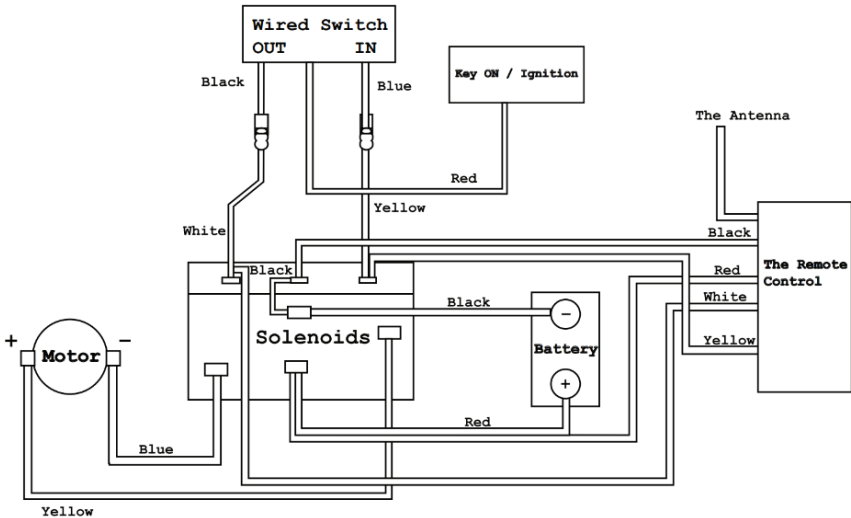


FIG 8 - Winch Wiring Diagram

INSTALLATION INSTRUCTIONS

Retention Cable Bed Mount

Secure Retention Cable Mount with attached cable to dump bed frame rail using supplied 1/4"-20 x 1" hex bolt (**G**) with 2 x 1/4" flat washers (**I**) and the 1/4"-20 lock nut using 7/16" socket and 7/16" wrench (**FIG 9**).



FIG 9 - Install Retention Cable Mount Bracket using 7/16" Socket and 7/16" Wrench

Retention Cable Frame Mount

Fasten the opposite end of the retention cable to the frame rail of the unit using the 5/16" clevis pin (**N**) with 2 x 5/16" flat washers (**O**)(**FIG 10**).



FIG 10 - Install Retention Cable Frame Mount

INSTALLATION INSTRUCTIONS

Optional Instructions (Rear Window Cover)

Install Tubing Clamps

Snap 8 x 1-1/4" tubing clamps (Q) around tubing of headache rack using holes in rear window cover (P) to locate clamp location.(FIG 11).



FIG 11 - Install Tubing Clamps

Install Rear Window Cover

Attach rear window cover plate using 8 x 1/4"-20 x .5" button head screws (R) and 8 x 1/4" lock washers (S) (FIG 12).



FIG 11 - Install Rear Window Cover 5/32" Allen Wrench

INSTALLATION INSTRUCTIONS

Optional Instructions (Rear Cube Lights)

Install Cube Lights

Fasten cube lights to winch mount plate using hardware and brackets supplied in cube light box (**FIG 13**).



FIG 13 - Install Cube Lights

INSTALLATION INSTRUCTIONS

Check out these other Thumper Products!



TF070501 - Thumper Fab Brush Guard Bumper

INSTALLATION INSTRUCTIONS

Check out these other Thumper Products!



TF070702 - Thumper Fab 3 Seat Nerf Rails



THUMPER FAB

Thumper Fab

5103 Elysian Fields Rd, Marshall, TX 75672

Customer Service: 903-472-0928

www.thumperfab.com