

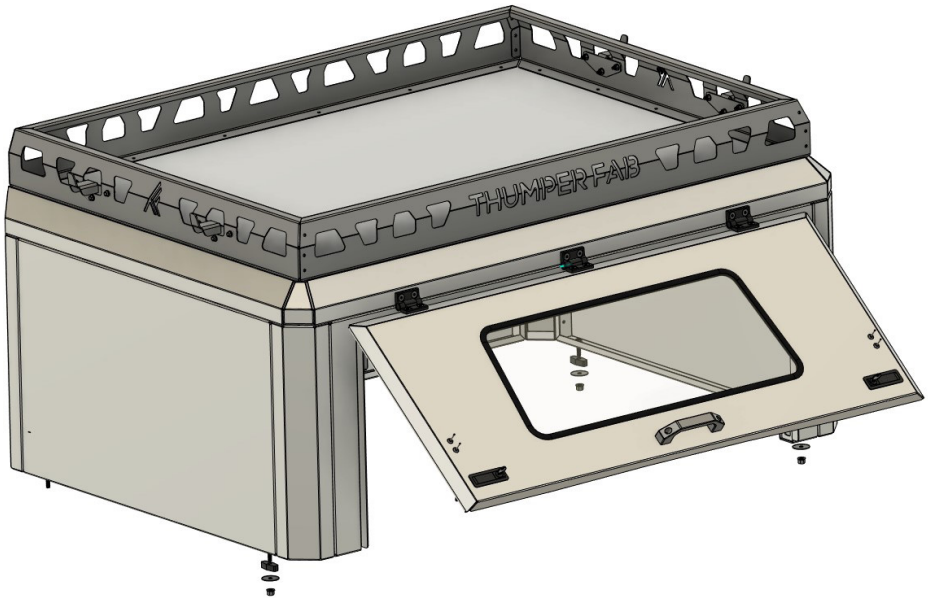


# THUMPER FAB

Aluminum Audio Roofs • Roll Cages • UTV Accessories

## CanAm Defender Bed Box

SKU: TF043001



### Thumper Fab

5103 Elysian Fields Rd, Marshall, Tx 75672

Customer Service: 903-472-0928

[www.thumperfab.com](http://www.thumperfab.com)

Ver. 1024

# CanAm Defender Bed Box



SKU: TF043001

## PARTS

REF	QTY	DESCRIPTION
1	1	TOP
2	1	REAR PANEL
3	1	FRONT PANEL
4	2	SIDE PANEL
5	4	CORNER
6	1	REAR DOOR
<b>ASSEMBLY COMPONENTS</b>		
7	3	HINGES
8	1	HANDLE
9	2	GAS STRUTS
10	2	LATCHES
<b>HARDWARE</b>		
A	6	M8x1.25mm x 30mm Flanged Head Bolt
B	6	Plastic LINQ Spacer
C	6	Oversized Washer
D	6	M8 Flanged Locknut
E	12	M8x1.25mmx20mm Flat Head Screw
F	12	M8x1.25mm Low Profile Locknut
G	2	1/4"-20 x 1-1/4" Button Head Screw
H	60	1/4"-20 x 3/4" Flanged Bolt
I	62	1/4"-20 Locknut

## TOOLS

- 8mm Wrench
- 12mm Wrench
- 13mm Socket
- 13mm Wrench
- 14mm Wrench
- 3/8" Socket
- 3/8" Wrench
- 7/16" Socket
- 7/16" Wrench
- 7/16" Allen
- T30 Torx

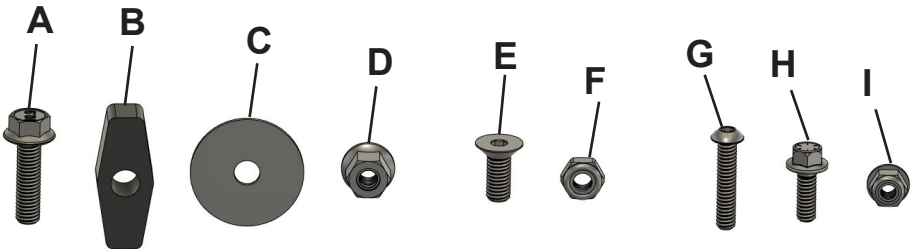
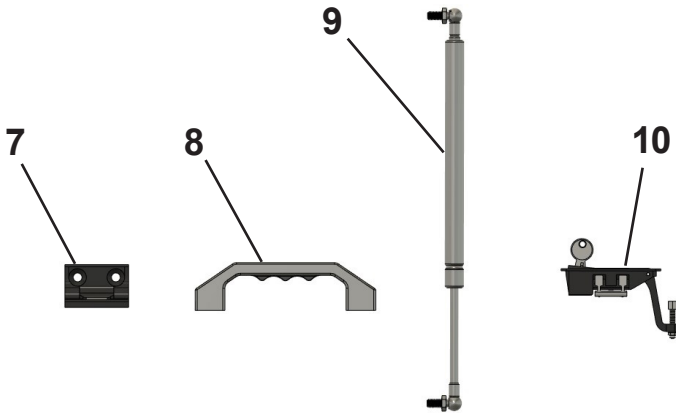
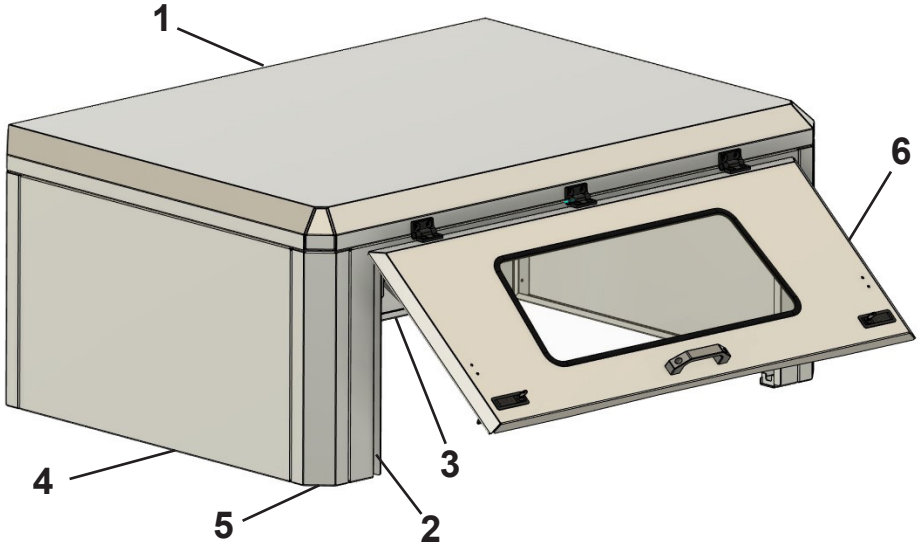
### BEFORE YOU BEGIN

If you do not feel comfortable installing your **Thumper Fab** INSERT PRODUCT, please see your nearest INSERT BRAND® Dealer for

# CanAm Defender Bed Box



SKU: TF043001



# CanAm Defender

## OPTIONAL - BED BOX ROOF RACK



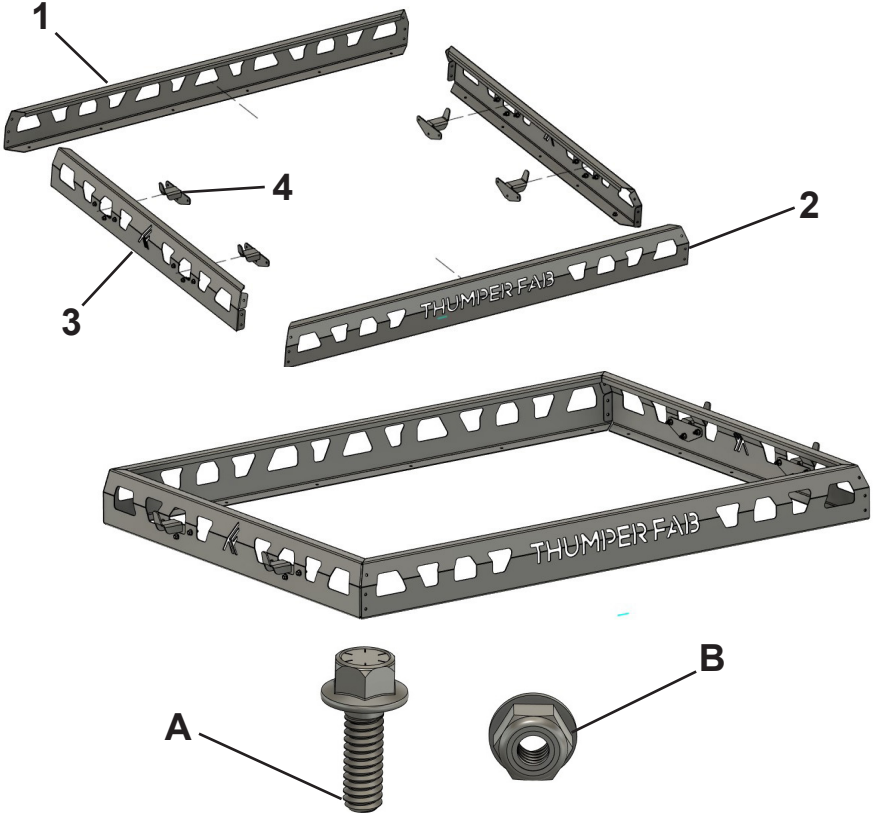
SKU: TF043001.RR

### PARTS

REF	QTY	DESCRIPTION
1	1	RACK - FRONT
2	1	RACK - REAR
3	1	RACK - SIDE
4	2	HOOK
HARDWARE		
A	34	1/4"-20 x 3/4" Flanged Bolt
B	34	1/4"-20 Locknut

### TOOLS

- Drill
- 1/4" Drill Bit
- 7/16" Wrench/Socket
- 5/32" Wrench/Socket

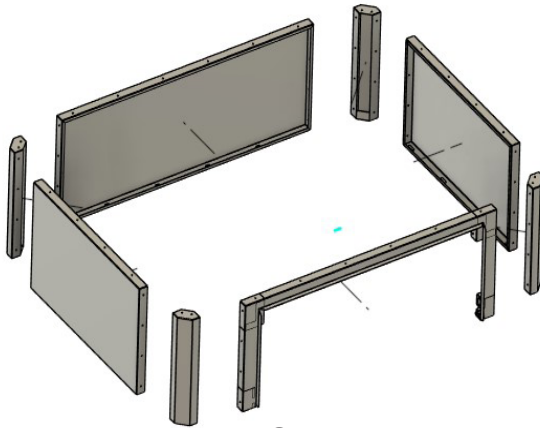


# INSTALLATION INSTRUCTIONS

## Pre-Assemble the Bed Box

SEE PAGE 12 for OPTIONAL Bed Box Rack Installation.

First, start by removing all components from the packaging and laying them out in an organized fashion. Locate the FRONT PANEL, REAR PANEL, SIDE PANEL(s), and CORNER(s). Begin assembling these pieces as shown below. BE SURE that the orientation of the FRONT and SIDE PANELS are correct, as well as the orientation of the corners. The bottom edges of the FRONT and SIDE PANELS will have the long slots cut into them. The bottom ends of the corners WILL NOT have holes in them. (FIG. 1)



**FIG. 1**

Fasten all 8 pieces together, loosely, using the 1/4"-20 x 3/4" Flanged Bolts and 1/4"-20 Locknuts. Ideally, the bolts should be inserted from the "outside" of the corners and the locknuts be installed on the "inside" of the corners. (FIG. 1)



**FIG. 2**

## INSTALLATION INSTRUCTIONS

### Pre-Assemble the Bed Box

Next, place the TOP onto the pre-assembled front, rear, side and corners. Fasten with more of the 1/4"-20 hardware. (FIG. 3)

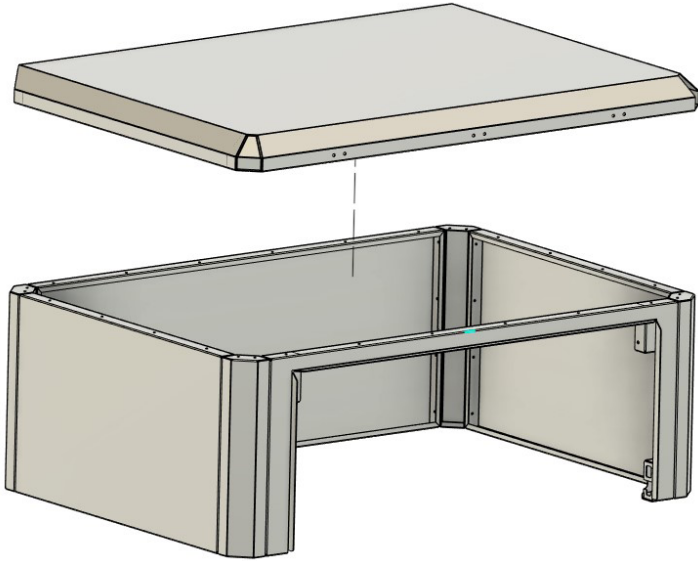


FIG. 3

Next, locate and install the hinges using the M8 Flat head screws and M8 low profile locknuts provided in the kit. See below. (FIG. 4 & 5)

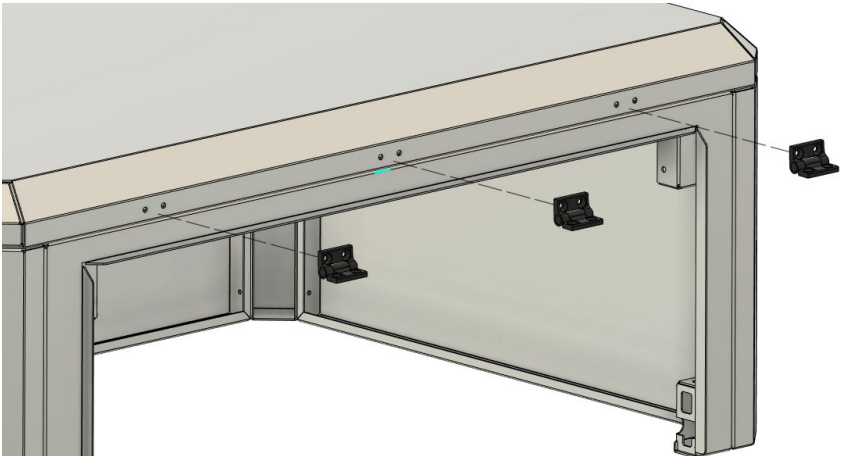


FIG. 4

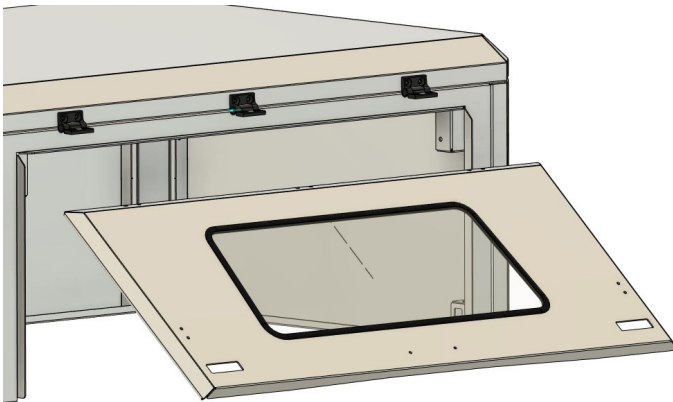
# INSTALLATION INSTRUCTIONS



**FIG. 5**

## **Pre-Assemble the Bed Box**

After the hinges have been put into place and loosely fastened, lift the door into place, and fasten to the hinges using more M8 flat head screws and M8 low profile locknuts. (FIG. 6 & 7)



**FIG. 6**



# INSTALLATION INSTRUCTIONS



**FIG. 7**

Once the rear door has been installed, locate the gas struts from the kit and install as shown. You will need to thread the a ball ends onto the struts before installing onto the door. Then, using the 12mm and 14mm wrenches, install the strut as shown and tighten both ends. (FIG. 8 & 9)



**FIG. 8**



**FIG. 9**



# INSTALLATION INSTRUCTIONS

## Pre-Assemble the Bed Box

Next, the latches and Handle can be installed. Use the (2) 1/4"-20 x 1-1/4" button head bolts and 1/4"-20 locknuts for the handle. Install as shown below. (FIG. 9-12)

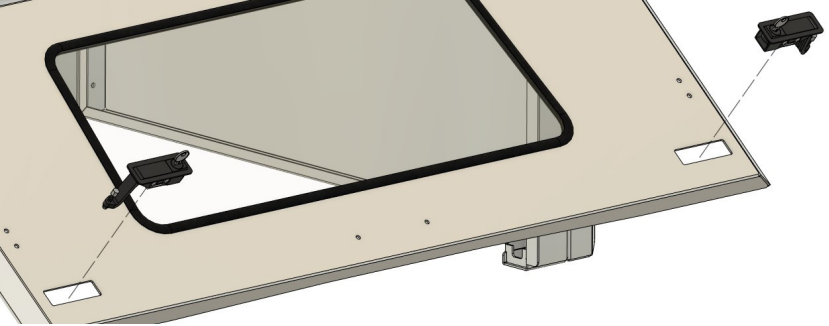
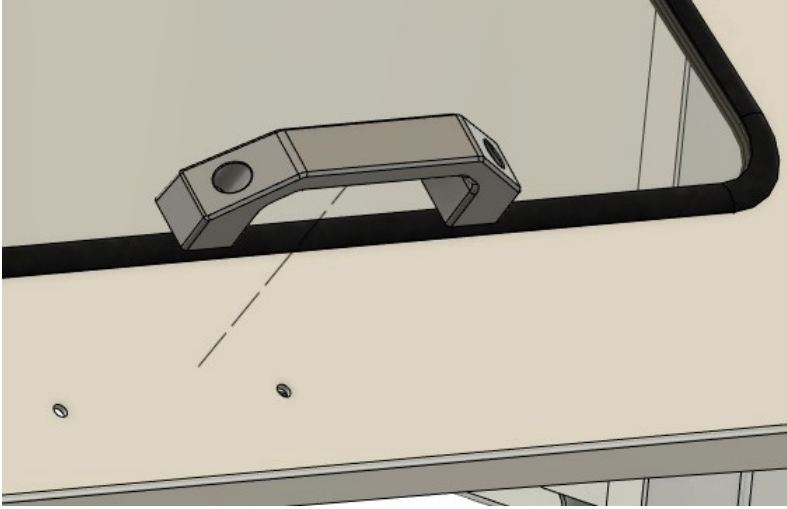


FIG. 9



FIG. 10

# INSTALLATION INSTRUCTIONS



**FIG. 11**

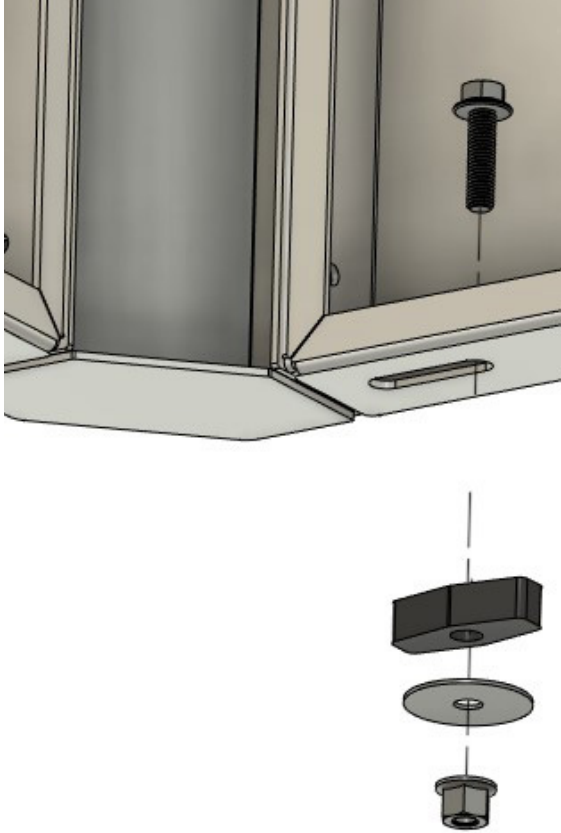


**FIG. 12**

## INSTALLATION INSTRUCTIONS

### Install Bed Box Onto the Unit

After the Bed Box has been fully pre-assembled and all hardware has been tightened, now it can be lifted and placed onto the bed. Use the provided M8 x 30mm Bolts, M8 Locknuts, Oversized washers, and the plastic LINQ spacer. Install this hardware as shown to fasten the Bed Box onto the bed. (FIG. 13)



**FIG. 13**

The bolts will be inserted down through the slots in the bed box, the through the LINQ spacers that will be inserted into the cutouts in the top sides of the bed. The oversized spacer should go underneath the edge of the bed side and then be fastened with the M8 locknut.

# INSTALLATION INSTRUCTIONS

## OPTIONAL Bed Box Rack

If you have also purchased the optional Bed Box Rack, it is best to install onto the TOP, before assembling the Bed Box. First, assembly the Rack as shown using more of the 1/4"-20 hardware. (FIG. 13 &14)

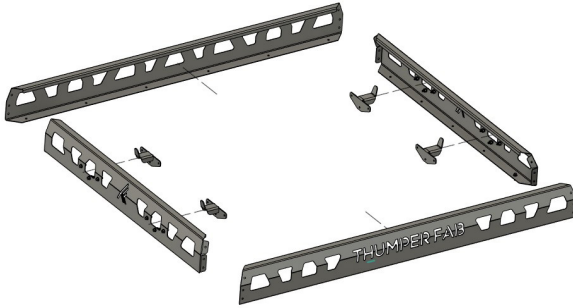


FIG. 13



FIG. 14

After the rack has be assembled, place it onto the top and align it properly. It is best to mark the two outer most holes on the front panel of the rack. **(RED LINES BELOW)** Once those two are marked, remove the rack, drill those two hole, then fasten the rack at these two points. Next, ensure that the rack is straight and placed correctly, then mark the remaining holes. After all holes have been marked, remove the hardware and remove the rack again. Drill out the remaining holes, set the rack back into place, and fasten the rack completely. (FIG. 15)

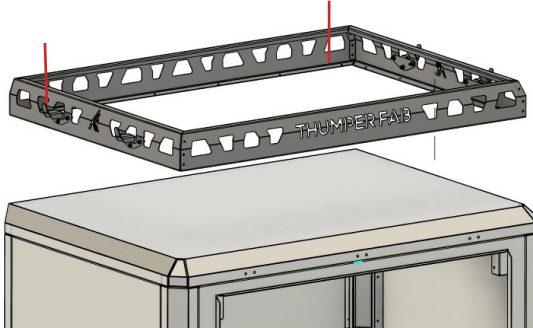


FIG. 15



**THUMPER FAB**

**Thumper Fab**

5103 Elysian Fields Rd, Marshall, Tx 75672

Customer Service: 903-472-0928

[www.thumperfab.com](http://www.thumperfab.com)