

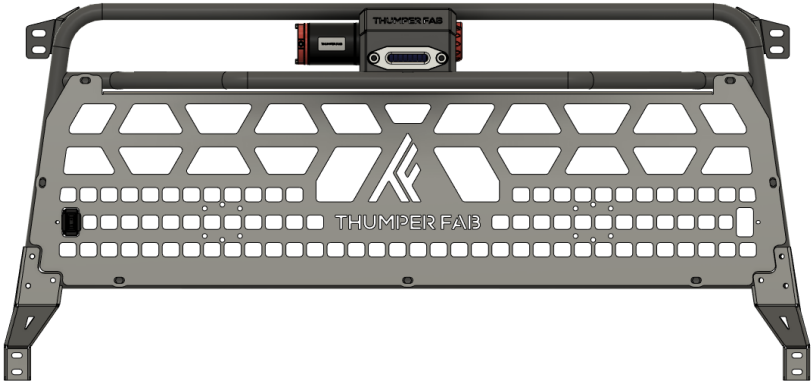


# THUMPER FAB

Aluminum Audio Roofs ♦ Roll Cages ♦ UTV Accessories

## Can-Am Defender Headache Rack

SKU: TF041601



### Thumper Fab

5103 Elysian Fields Rd, Marshall, TX 75672

Customer Service: 903-472-0928

[www.thumperfab.com](http://www.thumperfab.com)

Ver. 0626

# Can-Am Defender Headache Rack

SKU: TF041601



## PARTS

REF	QTY	DESCRIPTION
1	1	Headache Rack Frame
2	1	Rear Panel
3	1	Lower Mount - Driver
4	1	Lower Mount - Passenger
5	1	Winch
HARDWARE KIT		
A	2	#10x1/2" Pointed Screws
B	4	M6x16mm Flange Head Bolt
C	4	M6 Lock Washer
D	16	M8x20mm Flange Head Bolt
E	4	M8x45mm Flange Head Bolt
F	6	M8x45mm Button Head Screw
G	4	M8 Fender Washer
H	6	M8 Nylon Insert Lock Nut
I	12 in	Trim
J	4	M8 Clip on Barrel Nut

## TOOLS

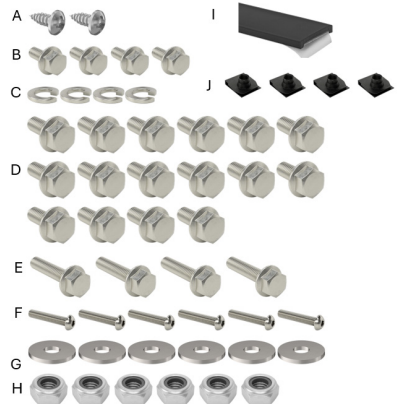
- 10mm Socket and Wrench
- 13mm Socket and Wrench
- 5mm Allen Wrench
- Drill with Phillips Head Bit
- Pencil Grinder or Box Knife

### Torque Specs:

SIZE (STANDARD)	GRADE 5	GRADE 8
5/16"	15 ft/lbs	20 ft/lbs
3/8"	30 ft/lbs	35 ft/lbs
7/16"	45 ft/lbs	60 ft/lbs
1/2"	65 ft/lbs	90 ft/lbs
9/16"	95 ft/lbs	130 ft/lbs
5/8"	135 ft/lbs	175 ft/lbs
3/4"	185 ft/lbs	280 ft/lbs

SIZE (METRIC)	CLASS 8.8	CLASS 10.9
6MM	5 ft/lbs	9 ft/lbs
8MM	18 ft/lbs	23 ft/lbs
10MM	32 ft/lbs	45 ft/lbs
12MM	55 ft/lbs	75 ft/lbs
14MM	85 ft/lbs	120 ft/lbs
16MM	130 ft/lbs	165 ft/lbs
18MM	170 ft/lbs	240 ft/lbs



### BEFORE YOU BEGIN

If you do not feel comfortable installing your **Thumper Fab** HEADACHE RACK, please see your nearest Thumper Fab® Dealer for installation.

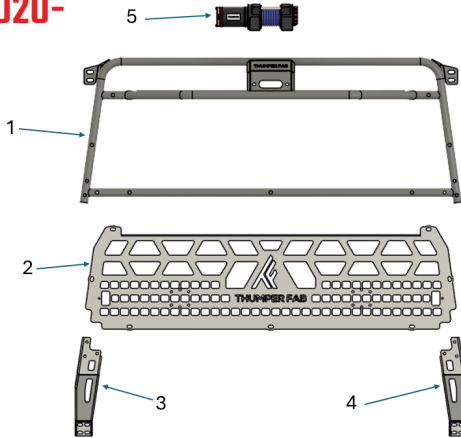
# Can-Am Defender Headache Rack

SKU: TF041601

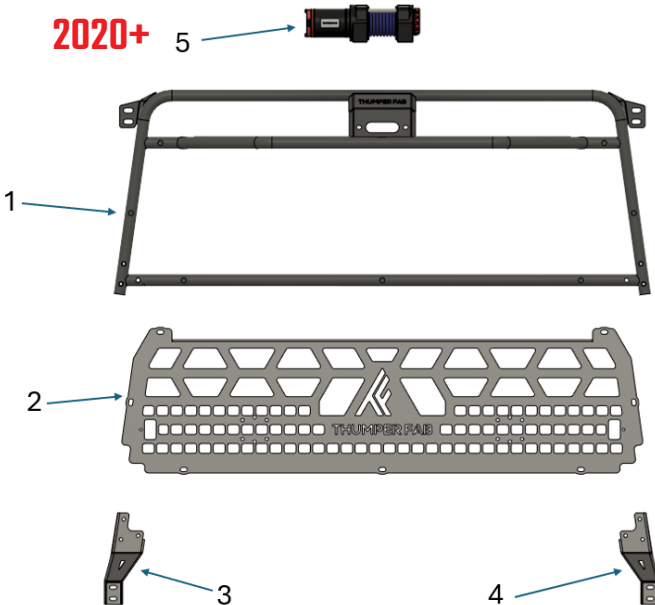


## PARTS

2020-



2020+



# INSTALLATION INSTRUCTIONS

## Installation Preparation

Fasten the rear panel to the headache rack frame using 7 x M8x20mm flange head bolts. Tighten using a 13mm socket. Trim can be placed in between the rear panel and the headache rack frame to eliminate any rattling (**FIG 1 & FIG 2**).



**FIG 1 & FIG 2 - Fasten Rear Panel to the Headache Rack Frame**

Fasten the manual winch control switch to the rear panel using hardware provided in the winch box (**FIG 3**).

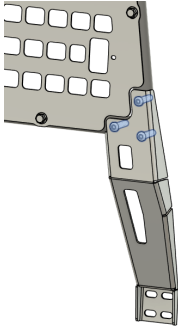


**FIG 3 - Fasten Manual Switch to the Rear Panel**

# INSTALLATION INSTRUCTIONS

## Installation Preparation

Loosely fasten the lower mount brackets to the headache rack frame using 6 x M8x45mm button head screws and 6 x M8 nylon lock nuts. Loosely tighten using a 5mm allen wrench and a 13mm socket (**FIG 4 & FIG 5**).



2020-



2020+

**FIG 4 & FIG 5 - Loosely Fasten Lower Brackets to the Headache Rack Frame**

Fasten the fairlead to the headache rack frame using hardware provided in the winch box (**FIG 6**).



**FIG 6 - Fasten Fairlead to the Headache Rack Frame**

# INSTALLATION INSTRUCTIONS

## Installation Preparation

Fasten the winch to the headache rack frame using 4 X M6x16mm flange head bolts and 4 X M6 lock washers. Tighten using a 10mm socket (**FIG 7**).



**FIG 7 - Fasten Winch to the Headache Rack Frame**

Fasten the winch stop and the winch hook to the winch cable using hardware provided in the winch box (**FIG 8**).



**FIG 8 - Fasten Winch Hook and Winch Stop to the Winch Cable**

# INSTALLATION INSTRUCTIONS

## Installation Preparation

Raise the bed to the fully open position to prepare for placement and installation of the headache rack (FIG 9).



FIG 9 - Raise the Dump Bed to fully open position

**DEFENDER HD11 (ONLY if using 2020- Brackets)** - Trim the plastic as shown below in preparation for mounting the headache rack to the vehicle using a pencil grinder or box knife (FIG 10).

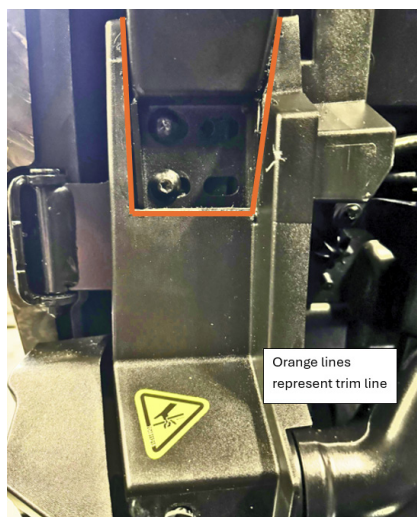


FIG 10 - Trim Plastic (**HD11 ONLY with 2020- Brackets**)

## INSTALLATION INSTRUCTIONS

### Installation Preparation

**(2020+ ONLY)** Install 4 x M8 clip on barrel nuts onto the section of frame by sliding barrel nuts over frame tab (**FIG 11**).



**FIG 11 - Install M8 Clip on Barrel Nuts (2020+ Brackets ONLY)**

## INSTALLATION INSTRUCTIONS

### Installation Preparation

Hold the headache rack into place and use 4 x M8-1.25 x 20mm flange bolts with 4 x M8 fender washers and 13mm socket to fasten the headache rack to the upper holes in the roll cage. **Do not fully tighten.** **If the unit also has a Thumper Fab Audio Roof, use supplied 4 x M8-1.25 x 45mm flange bolts (F) instead. (FIG 12).**



FIG 12 - Fasten Headache Rack to Vehicle

# INSTALLATION INSTRUCTIONS

## Installation

Fasten the lower mount brackets to the vehicle using 4 X M8x20mm flange head bolts. Tighten using a 13mm socket before fully tightening the 4 upper mounting bolts (**FIG 13 & FIG 14**).



**2020-**



**2020+**

**FIG 13 & FIG 14 - Fasten Lower portion of Headache Rack to Vehicle**

With all mounting hardware tight, fully tighten the lower mounting bracket hardware that fastens the lower brackets to the headache rack frame (**FIG 14**).



**FIG 14 - Tighten Lower Mount Brackets**

# INSTALLATION INSTRUCTIONS

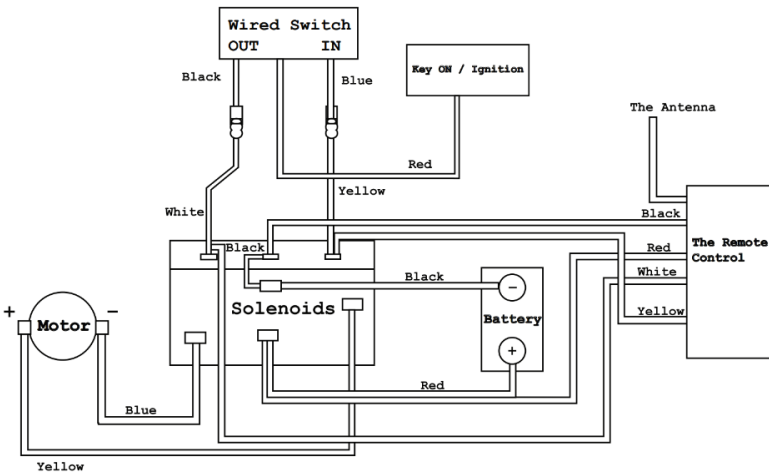
## Winch Wiring

Remove the twist release pins holding the battery cover on under the passenger side rear seat. Remove the cover and set it off to the side (**FIG 15**).



**FIG 15 - Remove twist release pins to gain access to the battery**

**Do not refer to wiring instructions contained in the winch box as it is not suitable for this application.** Reference the following wiring diagram for wiring instructions for the winch (**FIG 16**).



**FIG 16 - Winch Wiring Diagram**

# INSTALLATION INSTRUCTIONS

## Installation

If you have received a “new” style winch contactor box, there is no small red wire to connect to an ignition source. Simply wire the winch contactor box to the battery with the short red and black wires and connect the manual switch to the winch contactor box (**FIG 17**).



**FIG 17 - Plug manual switch harness into winch contactor box**

## Winch Wiring

Once the winch harness is plugged into the winch contactor box, tighten the cable to the winch contactor box using your hands only. Pliers may strip the threads and should be avoided (**FIG 18**).



**FIG 18 - Tighten switch harness to contactor box**

# INSTALLATION INSTRUCTIONS

## Winch Wiring

Use a pencil grinder to remove this plastic seam so that the winch control box will mount flat against the back face of the panel above the battery (FIG 19).



FIG 19 - Grind down plastic lip for Winch Control Box

Fasten the winch control box to the plastic panel above the battery using 2 X #10x1/2" pointed screws (FIG 20).

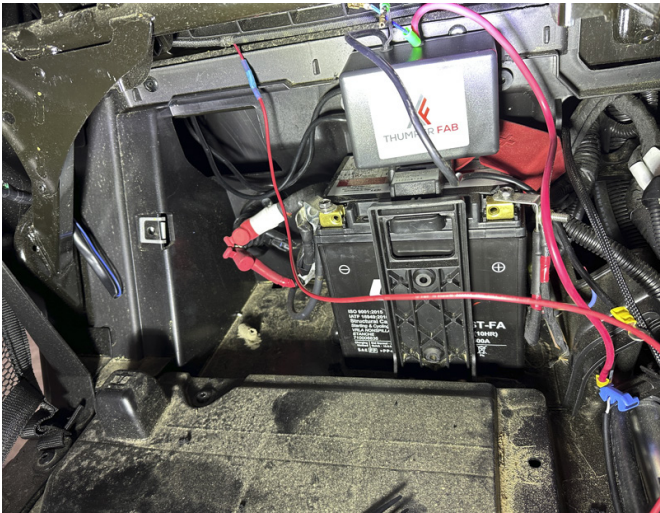


FIG 20 - Mount Winch Control Box

## INSTALLATION INSTRUCTIONS

### Winch Wiring (HD11 ONLY)

Mount the winch contactor box as shown (under the center rear seat) using 2 X #10x1/2" pointed screws (FIG 21).

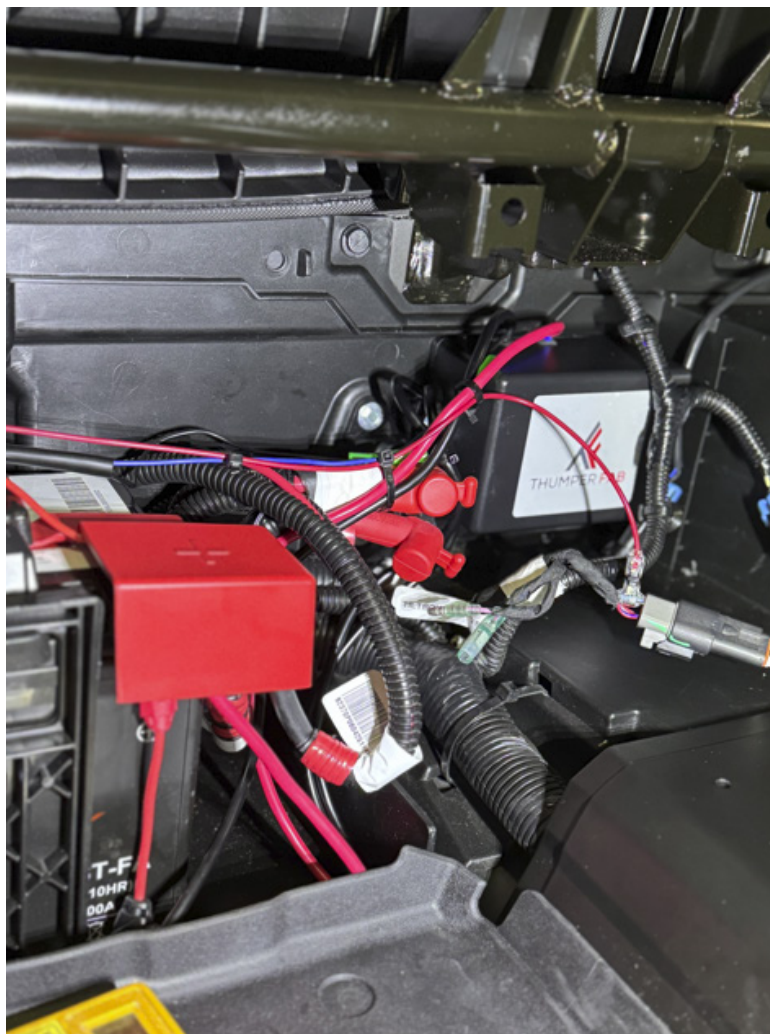


FIG 21 - Mount location for winch contactor box (HD11 ONLY)

# INSTALLATION INSTRUCTIONS

## Winch Wiring

Fasten the wires to the winch using a 10mm socket. Connect the wire with a blue lead to the blue terminal and the wire with a yellow lead to the yellow terminal (**FIG 22**).



**FIG 22 - Connect wires to the Winch**

Attach the red and black wire from the winch control box to the positive and negative terminal of the battery. Connect the blue and black wires from the winch contactor box to the blue and black connectors on the manual winch switch wiring harness. Route the single red wire from the winch manual switch harness in the floor tunnel towards the dash and connect it to the red terminal of the busbar located behind the center dash switch panel (**FIG 23**).



**FIG 23 - Connect Winch Wires**

# INSTALLATION INSTRUCTIONS

## Install Cube Lights (Optional)

Attach cube lights to the mount brackets using the hardware and brackets inside the light box (FIG 24 & FIG 25).

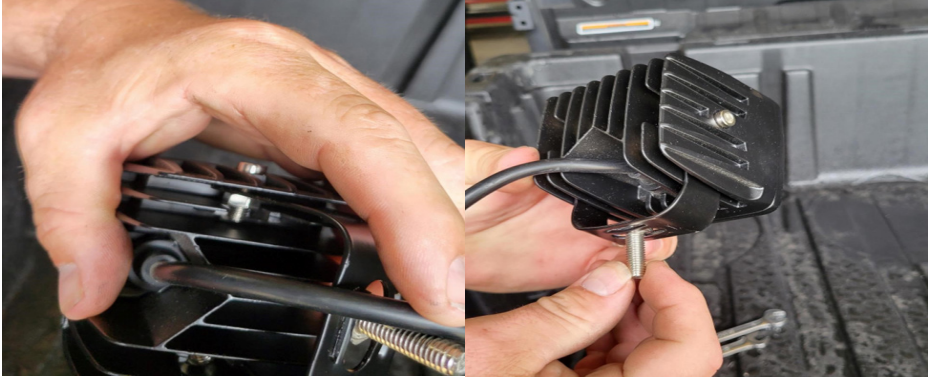


FIG 24 & FIG 25 - Fasten Cube Light to Mount Bracket

Using the hardware provided in the cube light box, fasten the cube light to the headache rack. Use the provided slots found in the winch mount plate to zip tie the cube light wires to the headache rack (FIG 26 & FIG 27)

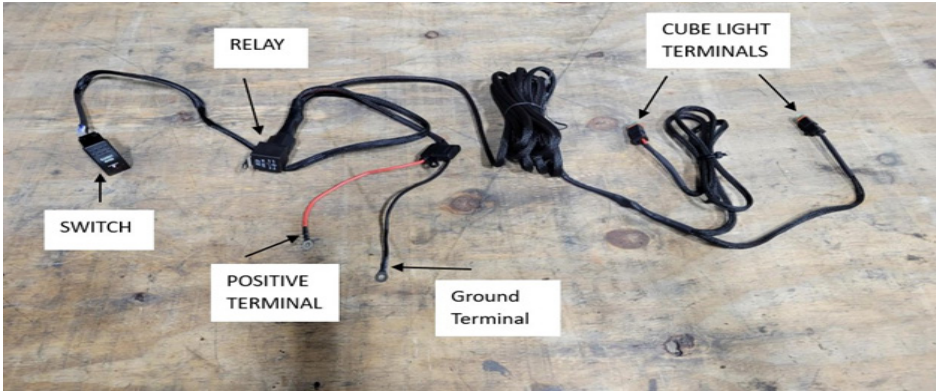


FIG 26 & FIG 27 - Fasten Cube Light to Headache Rack. Zip tie Cube Light wires to Headache rack frame

# INSTALLATION INSTRUCTIONS

## Wiring Harness

Wiring harness provided to power your cube lights includes a switch and terminals for connection to power and ground terminals (**FIG 28**).



**FIG 28 - Wiring Harness Breakdown of Plugs and Terminals**

Pull back the factory switch panel in the dash of your Defender to gain access to the accessory power and ground terminals. Connect the red wire to the red terminal and the black wire to the black terminal (**FIG 29**).



**FIG 29 - Connect red wire to red terminal and black wire to black terminal**

# INSTALLATION INSTRUCTIONS

## Wiring Harness

Select a slot in the dash for your switch. Wires should be as shown below, black on top, white in the middle, and blue on bottom. Snap switch into dash (FIG 30 & FIG 31).



FIG 30 - Connect Wires to Switch



FIG 31 - Install the switch in the dash

# INSTALLATION INSTRUCTIONS

## PRODUCT DISCLAIMER

The installation of products sold or manufactured by Thumper Fabrication, LLC (Thumper Fab) including, but not limited to suspension components such as lift kits, audio roofs, roll cages, frame stiffener kits, and tires that exceed the original specifications for the vehicle, may change the vehicle's center of gravity and handling characteristics both on- and off-road. You are aware that the installation of tires that are larger than original vehicle specifications may reduce the effectiveness of the braking system. Use of these products may place added stress to the original factory vehicle components which could cause them to weaken or possibly fail.

Products sold or manufactured by Thumper Fab are intended for off-road use only. Operation of a vehicle modified with these products on a road could result in serious bodily injury or death, and such operation may violate the laws of your state or municipality. You agree to operate your vehicle exclusively in the manner intended by the vehicle manufacturer. You agree that failure to safely and reasonably operate your vehicle could result in serious bodily injury or death, and that, as a result of installation of this product(s) to your vehicle, extreme care must be taken to prevent vehicle rollover or loss of control, which may be more likely to occur as a result of said modifications. You will avoid unsafe maneuvers, including sudden sharp turns or other abrupt maneuvers, which could make a vehicular accident more likely. You understand that Thumper Fab is not responsible or liable for any damages or any injuries to yourself or your passengers that could occur upon possible accidents due to driver error, incorrect installations, bad judgment, incompatibility with other aftermarket accessories or natural disasters to the fullest extent allowable by law. You will have all vehicle occupants fasten seatbelts, if equipped, and wear proper safety equipment, such as DOT approved helmet and eye protection prior to operating the vehicle. You understand and acknowledge that failure to wear proper safety equipment may increase the risk of serious bodily injury or death to yourself and any passengers.

Proper installation of products sold or manufactured by Thumper Fab requires knowledge of the factory recommended procedures for removal and installation of original equipment components. Installation of these products without proper knowledge and experience may affect the performance of these components and the safety of the vehicle and cause serious bodily injury or death. It is strongly recommended that a certified mechanic familiar with the installation of similar components perform the product(s) installation.

Prior to installing any products sold or manufactured by Thumper Fab, you will perform or cause to be performed an inspection of their vehicle to confirm its condition is suitable for the installation of these products. A proper inspection of the vehicle includes confirmation that the vehicle has not been in a collision and is free of corrosion. If the vehicle is suspected to have been in a collision or misused, or is otherwise unsuitable for modification, you will not install the product(s). You will continue to inspect the vehicle prior to each use to confirm its condition is suitable for its intended use, and you acknowledge that the failure to do so may result in serious bodily injury or death, as well as damage to the vehicle itself.

You will install any warning labels provided with the product so it may be prominently seen by yourself and all passengers. You will notify all passengers of the modifications performed to your vehicle prior to operation.

Insurance companies may handle coverage of a modified vehicle differently. Please check with your insurance carrier prior to modifying the vehicle to ensure your coverage remains sufficient. Installation of this product(s) may void your vehicle warranty. If this is a concern, please check with the manufacturer or dealer before purchase or installation of this product(s).



**THUMPER FAB**

**Thumper Fab**

5103 Elysian Fields Rd, Marshall, TX 75672

Customer Service: 903-472-0928

[www.thumperfab.com](http://www.thumperfab.com)