



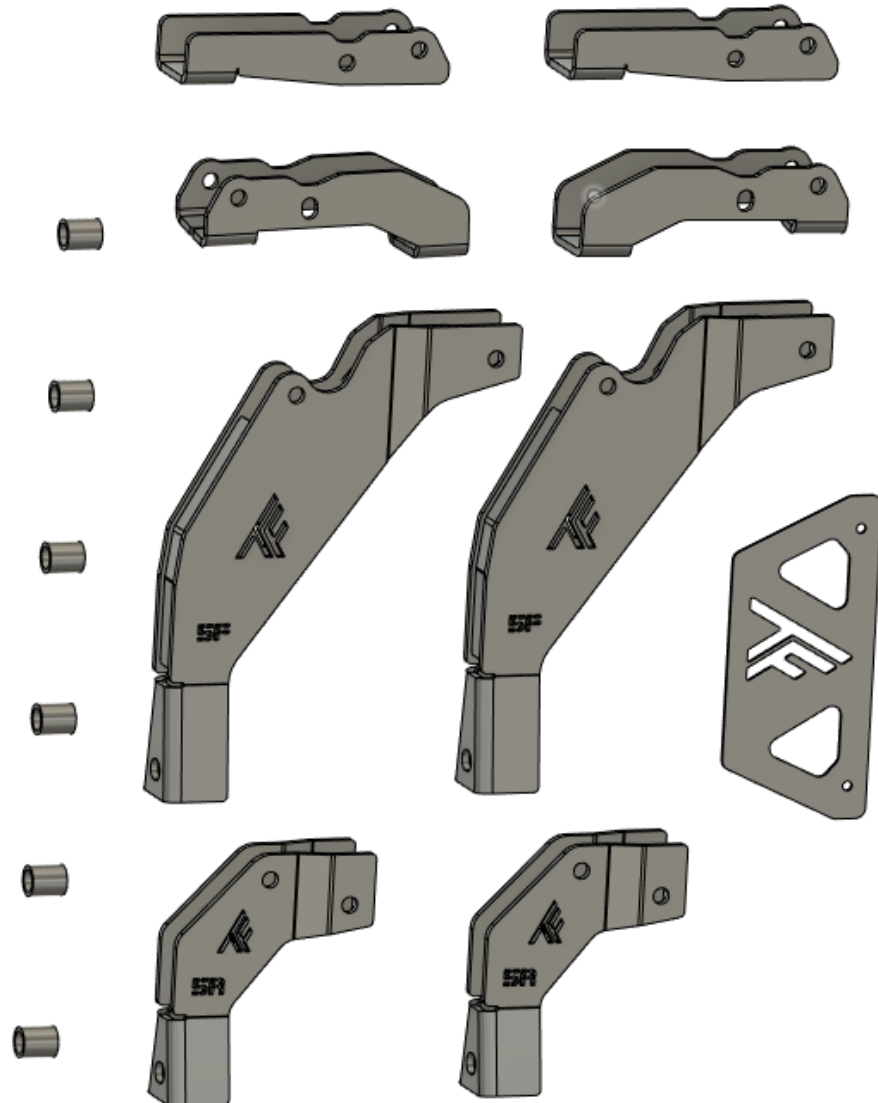
THUMPER FAB

Aluminum Audio Roofs ♦ Roll Cages ♦ UTV Accessories

Can-Am/Defender

2in Lift Kit

SKU: TF041305



Thumper Fab

5103 Elysian Fields Rd, Marshall, TX 75672
Customer Service: 903-472-0928

www.thumperfab.com

VER. 1124

Can-Am/Defender

2in Lift Kit

SKU: TF041305



PARTS

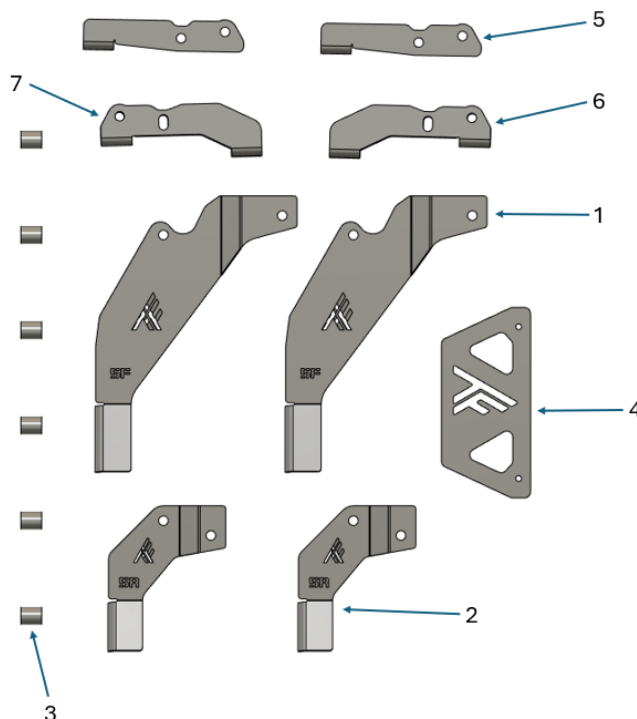
REF	QTY	DESCRIPTION
1	2	Front Bracket
2	2	Rear Bracket
3	4	Spacer
4	1	Logo Plate
5	2	Shock Relocation Bracket - Arm Side (OEM Arm)
6	1	Shock Relocation Bracket - TF Arm Side - DR
7	1	Shock Relocation Bracket - TF Arm Side - PA
HARDWARE KIT		
A	4	M10X1.5, 60mm Bolt
B	4	M10X1.5, 65mm Bolt
C	6	M10X1.5, 25mm Bolt
D	14	M10X1.5 Flange Nylon Lock Nut
E	4	M10 Fender Washer
F	8	M10 Flat Washers
G	2	M6X1, 16mm Bolt
H	2	M6X1 Nut
I	2	M6 Washer
J	1	6 Inches of Wire Loom
K	4	Steering Stops
L	4	Zip Ties

TOOLS

- 10mm Socket
- 13mm Socket
- 15mm Socket
- 10mm Wrench
- 15mm Wrench
- Ratchet
- Drill
- 13/32" Drill Bit
- Snips
- Marker

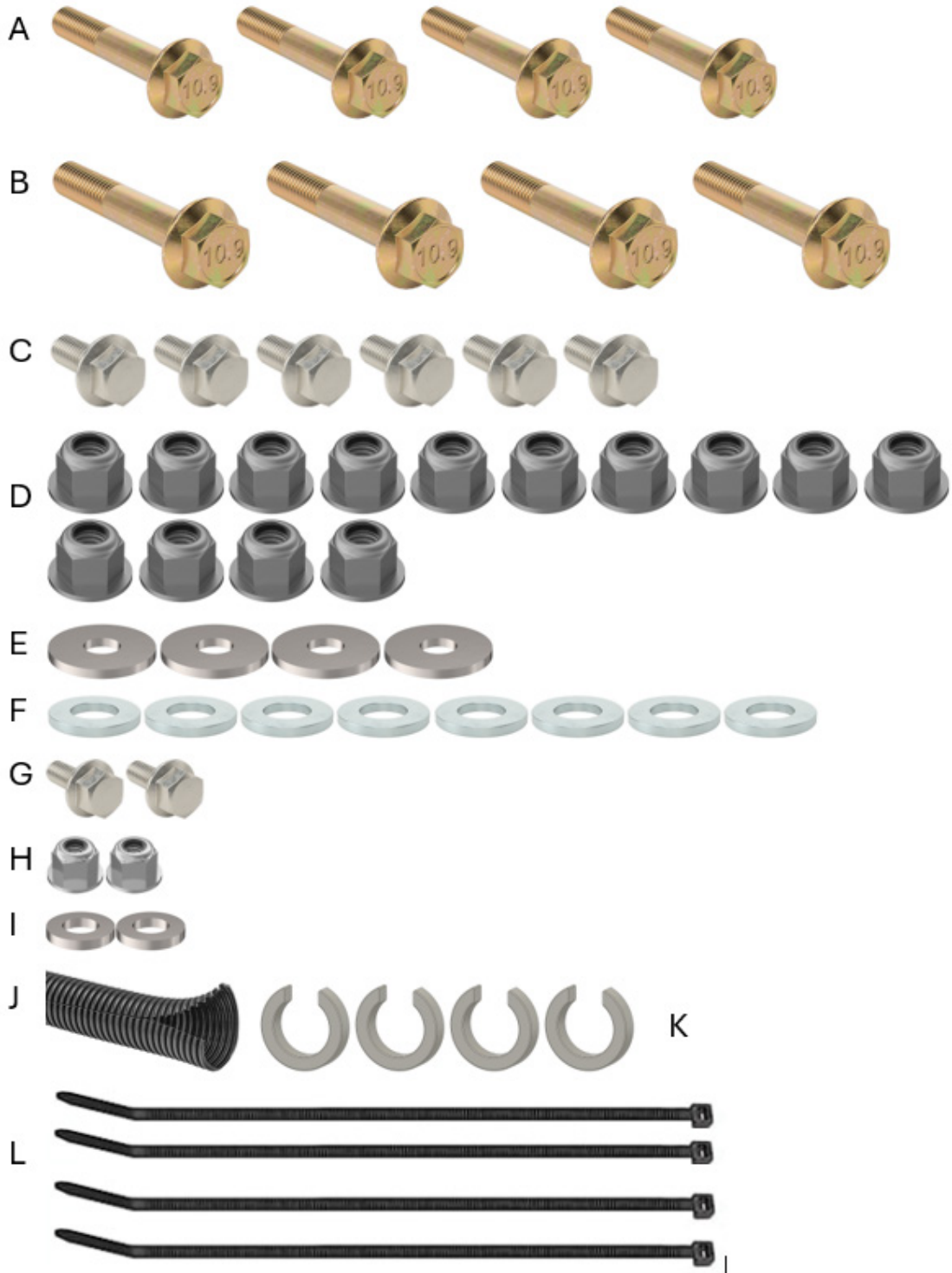
BEFORE YOU BEGIN

If you do not feel comfortable installing your Thumper Fab Can-Am Defender Lift Kit, please see your nearest Can-Am® Dealer for installation.



Can-Am/Defender 2in Lift Kit

SKU: TF041305



INSTALLATION INSTRUCTIONS

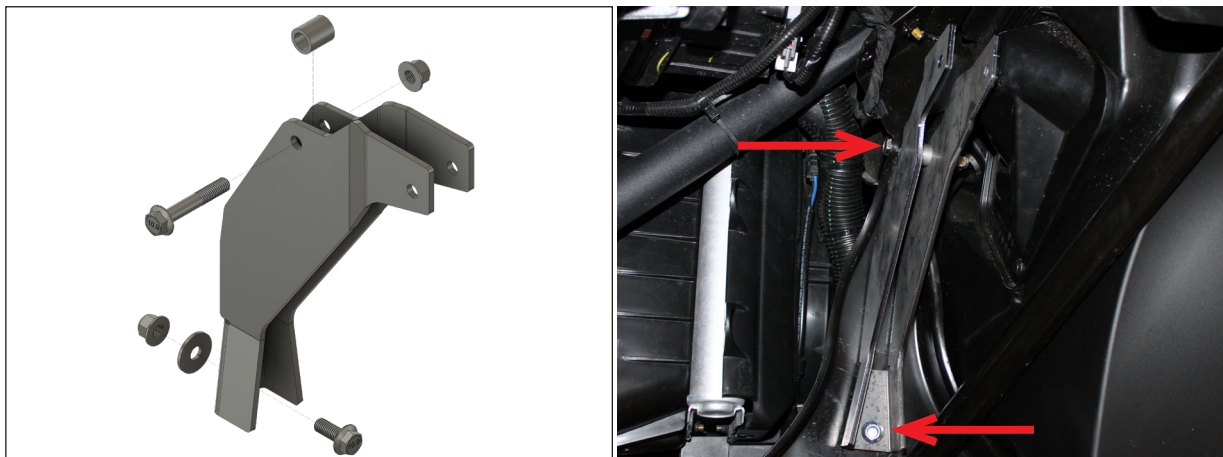
Position Vehicle on a clean and level work area. Lift the vehicle and support with jack stands and remove wheels.



Remove front shocks from vehicle using 15mm socket and wrench.

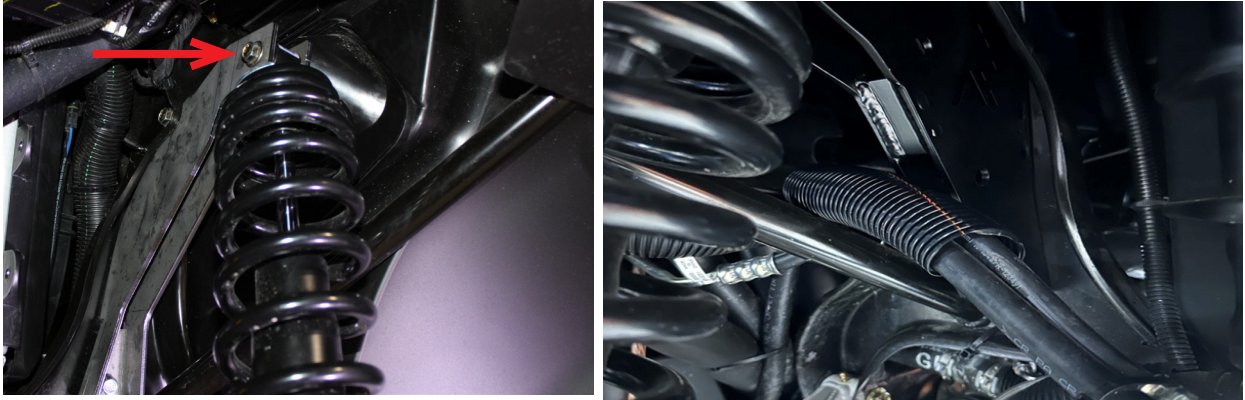


Position bracket spacer at the indicated position and install lift bracket on vehicle using factory hardware and the provided M10x25mm bolt, nut, and washer using 15mm & 13mm socket and 15mm wrench.



INSTALLATION INSTRUCTIONS

Reinstall shock with using factory hardware on the lower shock mounting eye and the provided M10x60mm bolt and nut on the upper mount using a 15mm socket and wrench. On HVAC units, remove the plastic that holds the AC lines on the passenger side and wrap provided wire loop around AC lines where they come near front passenger bracket.



The front control arms installed on the vehicle will determine which arm side bracket is utilized for the lift kit. If the vehicle has OEM arms, the shock relocation bracket - arm side (OEM Arm) (5) must be used. If the vehicle is equipped with Thumper Fab Forward Arms, shock relocation bracket - TF arm side (DR&PA) must be used.

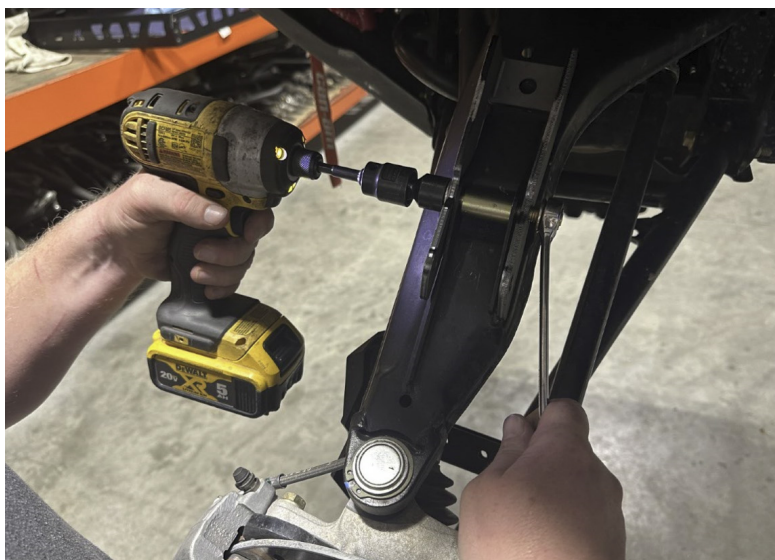


OEM Arms



Thumper Fab Forward Arms

For installation of the arm side brackets for OEM arms, start by mounting the bracket (5) to the OEM shock mount on the control arm. Use 1 x M10x65mm flange head bolt, 1 x M10 flange nylon lock nut, and 1 x spacer to fasten the bracket to the OEM arm tightening with a 15mm socket and wrench.



Mount Arm Side Bracket to OEM Arms

INSTALLATION INSTRUCTIONS

Remove the bolt that fastens the brake line to the underside of the upper control arm using a 10mm socket and pull the brake line toward the back of the vehicle slightly.



Disconnect Brake Line and Pull towards back of vehicle slightly

Make sure the brake line is pulled out of the way so drill bit will not contact the brake line when bit goes through the arm and use the bracket as a template and drill through the arm using a 13/32" drill bit. Once the hole is drilled, fasten the bracket to the control arms using 1 X M10x25mm flange head bolt and 1 x M10 flange nylon lock nut. Tighten using a 15mm socket and wrench.



Mount Arm Side Bracket to OEM Arm through drilled hole

INSTALLATION INSTRUCTIONS

Fasten the shock to the arm side bracket using 1 X M10x65mm flange head bolt, 1 X M10 flange nylon lock nut, and 2 X M10 flat washers (one for each side of the shock on the inside of the bracket). Tighten using a 15mm socket and wrench.



Fasten the shock to the Arm Side Bracket

The installation procedure is similar for the Thumper Fab Arm Side Brackets. If you have older control arm shock mounts that have not been pre-cleared you will need to grind here. If your control arms have updated shock mounts, skip to the next step. Start by loosely mounting the driver and passenger arm side brackets to the shock cradles on the Thumper Fab Forward Arms using 1 X M10x65mm flange head bolt. Use a marker to trace the area that will need to be ground down on the shock cradle before removing the lift bracket and grinding the arm for shock clearance.



Grind Shock Cradle down to make clearance for shock body

INSTALLATION INSTRUCTIONS

Fasten the arm side bracket to the shock tab using 1 X M10x65mm flange head bolt and 1 X M10 flange nylon lock nut with a spacer inbetween the forward arm shock cradle. Tighten using a 15mm socket and wrench.



Fasten the Arm Side Bracket to the Forward Arm Shock Cradle

If the upper control arm has a hole to mount the arm side bracket, skip this step. If not, use the arm side bracket as a template to locate where to drill through the upper control arm with a 13/32" drill bit. Ensure the brake line is out of the way in preparation for drilling through the control arm by cutting zip tie holding brake line to the brake line tab located on the underside of the upper control arm and pulling the brake line towards the rear of the vehicle.



Drill hole through Upper Control Arm using an 13/32" Drill Bit

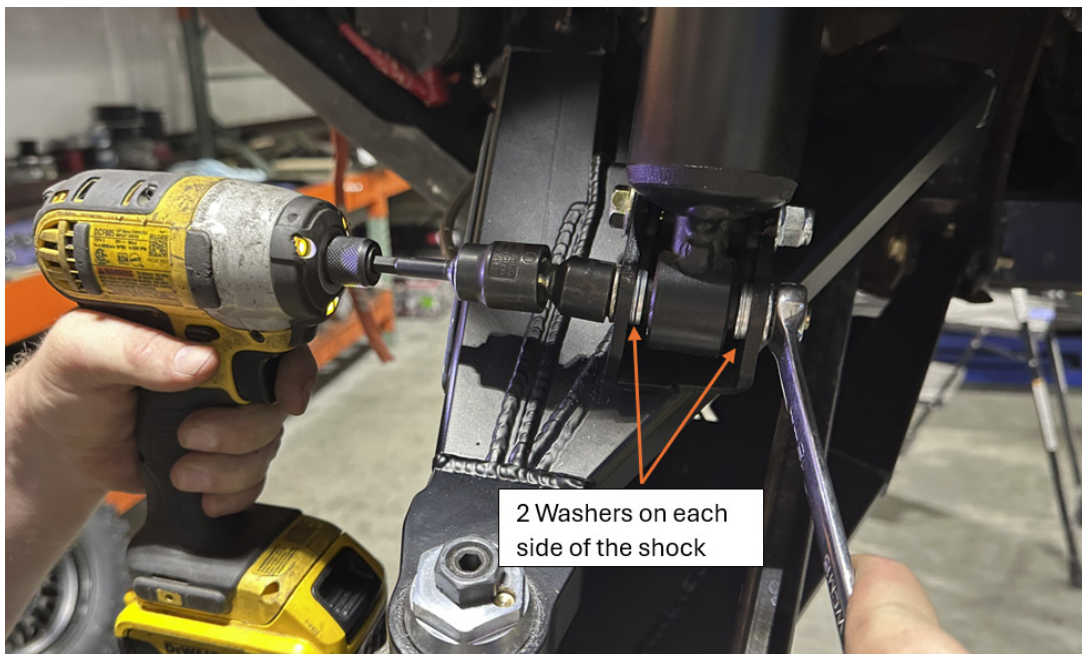
INSTALLATION INSTRUCTIONS

Fasten the arm side bracket to the shock tab using 1 X M10x25mm flange head bolt and 1 X M10 flange nylon lock nut using a 15mm socket and wrench. Once fully tightened, refasten brake line to the brake line tab using a zip tie.



Fasten the Arm Side Bracket to the Forward Arm through the upper most hole

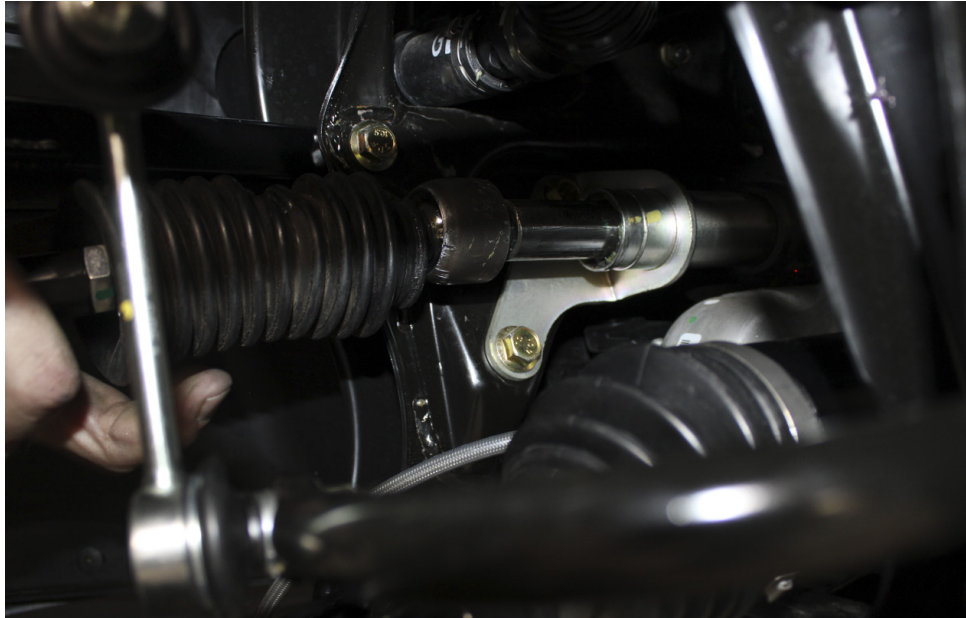
Fasten the shock to the arm side bracket using 1 X M10x65mm flange head bolt, 1 X M10 flange nylon lock nut, and 4 M10 flat washers. Insert 2 washers on each side of the shock before sliding bolt through the bracket, washers, and shock before tightening with a 15mm socket and wrench.



Fasten Shock to Arm Side Bracket

INSTALLATION INSTRUCTIONS

Remove the clamps that fasten the steering boots to the steering rack using a set of pliers and slide the boot back to gain access to the worm gear.



Slide Steering Boot off of Steering Rack

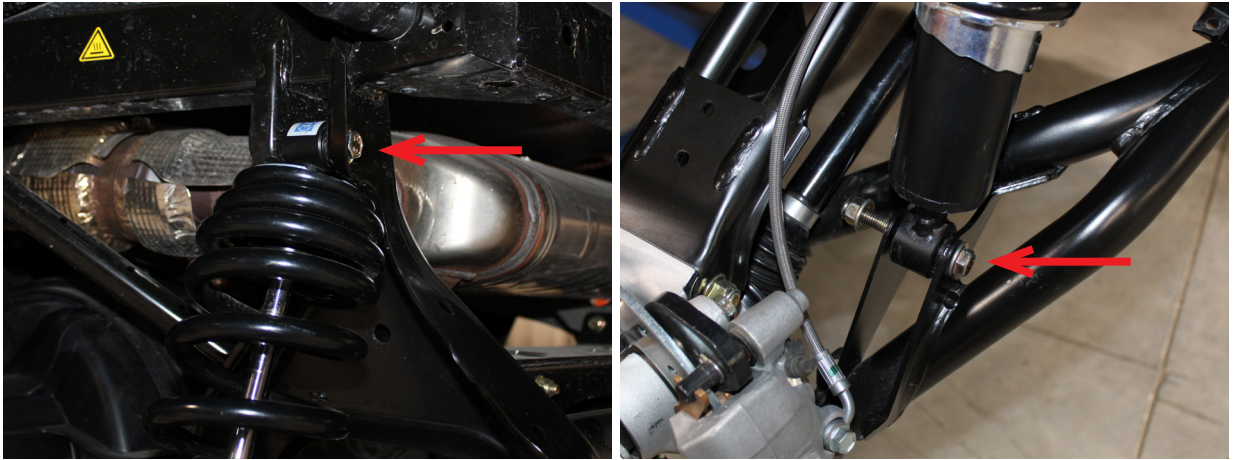
Install 2 steering stop on the worm gear (on each side) before reinstalling the steering boot on the steering rack and clamping the boot down using a zip tie.



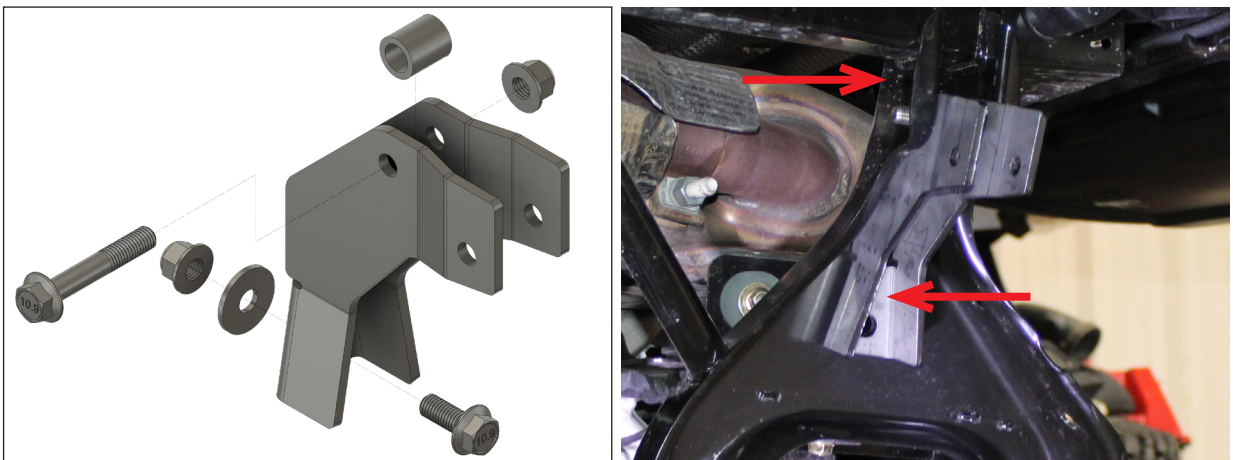
Install 2 x Steering Stops on Worm Gear (On Each Side)

INSTALLATION INSTRUCTIONS

Remove rear shocks from vehicle using 15mm socket and wrench.

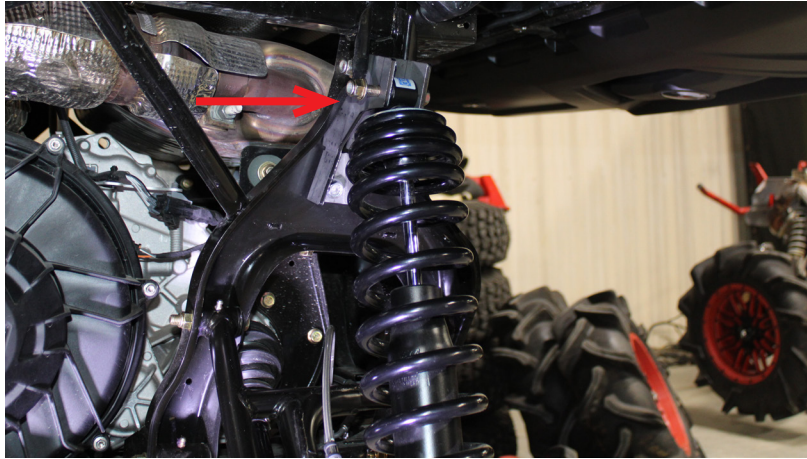


Position bracket spacer at the indicated position and install lift bracket on vehicle using factory hardware and the provided M10x25mm bolt, nut, and washer using 15mm & 13mm socket and 15mm wrench.

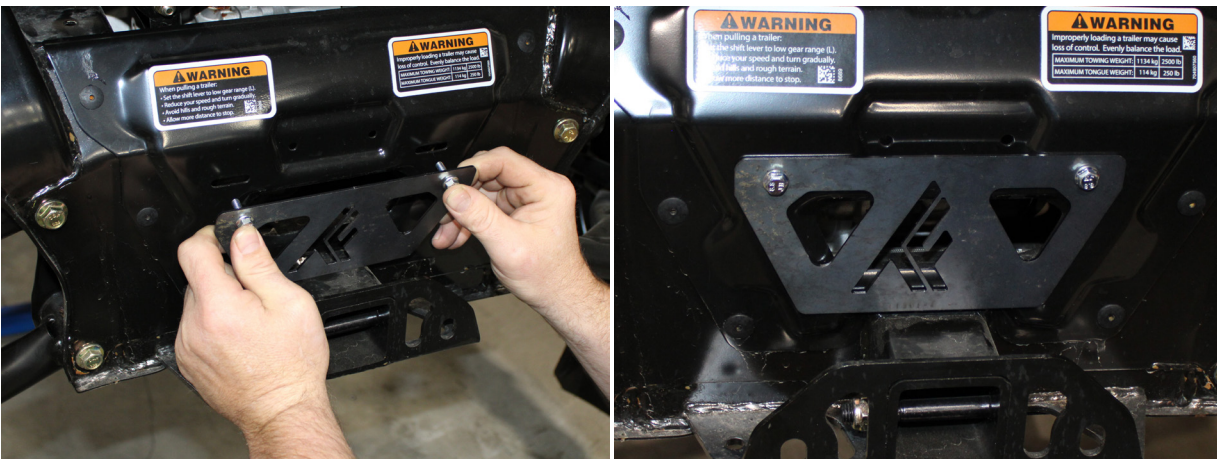


INSTALLATION INSTRUCTIONS

Reinstall shock with using factory hardware on the lower shock mounting eye and the provided M10x60mm bolt and nut on the upper mount using a 15mm socket and wrench.



Install logo plate on vehicle at the indicated location with provided M6x16mm bolt, washer, and nut using 10mm socket and wrench.



Congratulations, you have completed your Thumper Fab Lift Kit installation.

INSTALLATION INSTRUCTIONS

The installation of products sold or manufactured by Thumper Fab including, but not limited to suspension components such as lift kits, control arms, frame stiffener kits, roofs, roll cages, and tires that exceed the original specifications for the vehicle, may change the vehicle's center of gravity and handling characteristics both on and off-road. You are aware that the installation of tires that are larger than original vehicle specifications may reduce the effectiveness of the braking system. Use of these products may place added stress to the original factory vehicle components which could cause them to weaken or possibly fail.

Products sold or manufactured by Thumper Fab are intended for off-road use only. Operation of a vehicle modified with these products on a road could result in serious bodily injury or death, and such operation may violate the laws of your state or municipality. You agree to operate your vehicle exclusively in the manner intended by the vehicle manufacturer. You agree that failure to safely and reasonably operate your vehicle could result in serious bodily injury or death, and that, as a result of installation of this product(s) to your vehicle, extreme care must be taken to prevent vehicle rollover or loss of control, which may be more likely to occur as a result of said modifications. You will avoid unsafe maneuvers, including sudden sharp turns or other abrupt maneuvers, which could make a vehicular accident more likely. You understand that Thumper Fab is not responsible or liable for any damages or any injuries to yourself or your passengers that could occur upon possible accidents due to driver error, incorrect installations, bad judgment, incompatibility with other aftermarket accessories or natural disasters to the fullest extent allowable by law. You will have all vehicle occupants fasten seat belts, if equipped, and wear proper safety equipment, such as DOT approved helmet and eye protection prior to operating the vehicle. You understand and acknowledge that failure to wear proper safety equipment may increase the risk of serious bodily injury or death to yourself and any passengers.

Proper installation of products sold or manufactured by Thumper Fab requires knowledge of the factory recommended procedures for removal and installation of original equipment components. Installation of these products without proper knowledge and experience may affect the performance of these components and the safety of the vehicle and cause serious bodily injury or death. It is strongly recommended that a certified mechanic familiar with the installation of similar components perform the product(s) installation.

Prior to installing any products sold or manufactured by Thumper Fab, you will perform or cause to be performed an inspection of their vehicle to confirm its condition is suitable for the installation of these products. A proper inspection of the vehicle includes confirmation that the vehicle has not been in a collision and is free of corrosion. If the vehicle is suspected to have been in a collision or misused, or is otherwise unsuitable for modification, you will not install the product(s). You will continue to inspect the vehicle prior to each use to confirm its condition is suitable for its intended use, and you acknowledge that the failure to do so may result in serious bodily injury or death, as well as damage to the vehicle itself.

You will install any warning labels provided with the product so it may be prominently seen by yourself and all passengers. You will notify all passengers of the modifications performed to your vehicle prior to operation.

Insurance companies may handle coverage of a modified vehicle differently. Please check with your insurance carrier prior to modifying the vehicle to ensure your coverage remains sufficient.

Installation of this product(s) may void your vehicle warranty. If this is a concern, please check with the manufacturer or dealer before purchase or installation of this product(s).



THUMPER FAB

Thumper Fab

5103 Elysian Fields Rd, Marshall, TX 75672

Customer Service: 903-472-0928

www.thumperfab.com