

Can Am Defender
Memphis Under Seat Subwoofer Mount

SKU: TF040908



Thumper Fab
5103 Elysian Fields Rd, Marshall, TX 75672
Customer Service: 903-472-0928

Can Am Defender Memphis Under Seat Subwoofer Mount

SKU: TF040908

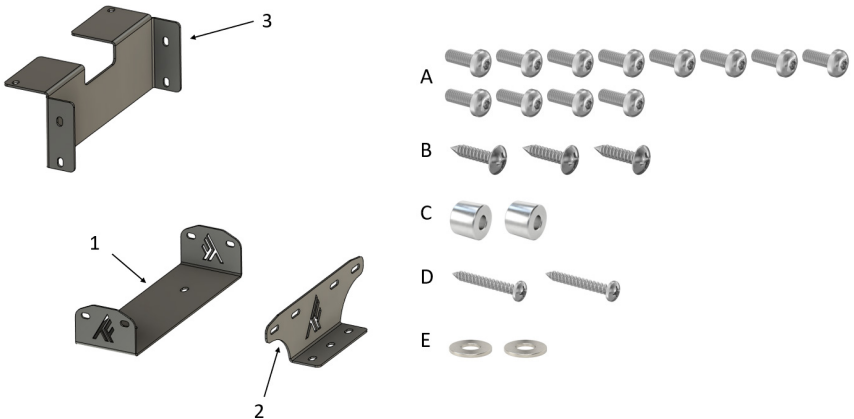


PARTS

REF	QTY	DESCRIPTION
1	1	Lower Bracket
2	1	L - Bracket
3	1	Seat Bracket
HARDWARE KIT		
A	12	M6-1.0 x 16mm Pan Head Torx Screws
B	3	#14 x 3/4" Truss Head Screw
C	2	Unthreaded Spacer
D	2	#10 x 1-1/2" Phillips Head Screw
E	2	1/4" Flat Washer

TOOLS

- Drill
- Phillips Head Bit
- 13mm Socket
- 13mm Wrench
- 1/8" Drill Bit
- T20 Torx
- T30 Torx
- Pencil / Marker



BEFORE YOU BEGIN

If you do not feel comfortable installing your **Thumper Fab** Subwoofer Mount, please see your nearest Can Am® Dealer for installation.

INSTALLATION INSTRUCTIONS

Installation Preparation

Flip the center seat up to gain access to the 2 OEM mounting bolts. Remove these 2 mounting bolts using a 13mm socket and 13mm wrench (**FIG 1**).

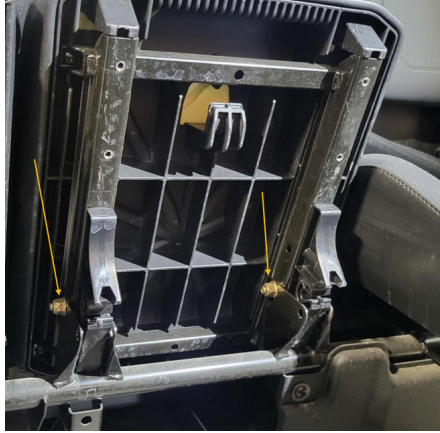


FIG 1 - Remove center seat using a 13mm Socket and 13mm Wrench

With the seat removed from the vehicle, use a T20 Torx to remove the 4 OEM seat frame mounting screws. Set the frame aside as it will no longer be used (**FIG 2**).

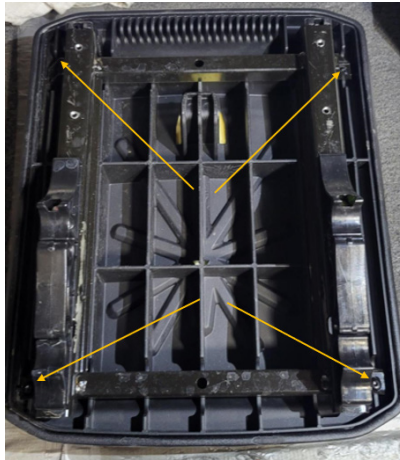


FIG 2 - Remove Seat Frame using T20 Torx

INSTALLATION INSTRUCTIONS

Installation

Fasten the Seat Bracket (3) to the underside of the seat using 2 x unthreaded spacers (C), 2 x #10 x 1-1/2" phillips head screws (D), and 2 x 1/4" flat washers (E) using a drill with phillips head bit. First place 2 x spacers (C) in area shown below, followed by bracket (3), 2 x flat washers (E), then 2 x screws (D).



FIG 3 - Place Spacers on underside of seat

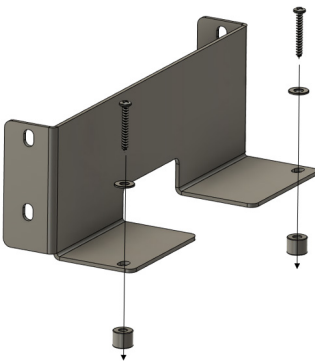


FIG 4 & FIG 5 - Fasten Seat Bracket to Seat using a Phillips Head Drill

INSTALLATION INSTRUCTIONS

Installation

Fasten the Lower Bracket (1), the L-Bracket (2), and the Seat Bracket (3) to the subwoofer using 12 x M6-1.0x16mm pan head torx screws (A) with a T30 Torx and place into position to mark the Lower Bracket (1) position (FIG 6).



FIG 6 - Mount Brackets to Subwoofer using a T30 Torx

Use a pencil or marker to mark the position of the Lower Bracket (1) to allow for realignment and fastening of bracket to the floor. Once outer profile of bracket is marked, take the subwoofer assembly out of the unit and set aside (FIG 7).



FIG 7 - Mark position of Lower Bracket using a Pencil or Marker

INSTALLATION INSTRUCTIONS

Installation

With the subwoofer assembly removed from the unit, place the Lower Bracket into position by aligning the bracket with the pencil marks made in the previous step. Using the Lower Bracket as a template, drill an 1/8" pilot hole, then use 2 x #14 x 3/4" truss head screws (**B**) to fasten the Lower Bracket (**1**) to the floor of the unit using a drill and phillips head bit (**FIG 8**).

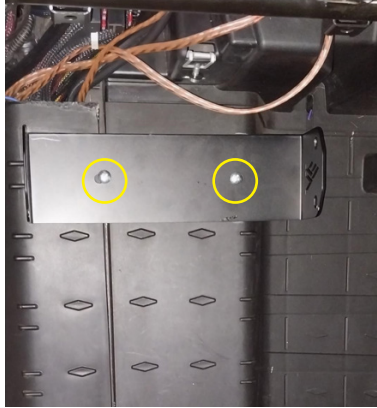


FIG 8 - Mount Lower Bracket to floor using a drill

Reinstall the subwoofer assembly into the unit, replacing the 4 x pan head torx screws (**A**) that fasten the Lower Bracket (**1**) to the subwoofer. Using the L-Bracket as a template, drill a pilot hole with an 1/8" drill bit. Then use 1 x #14 x 3/4" truss head screw to fasten L-Bracket to the floor of the unit using a drill (**FIG 9**). Refer to wiring instructions provided inside the subwoofer box.



FIG 9 - Fasten L-Bracket to the floor using a drill

INSTALLATION INSTRUCTIONS

PRODUCT DISCLAIMER

The installation of products sold or manufactured by Thumper Fabrication, LLC (Thumper Fab) including, but not limited to suspension components such as lift kits, audio roofs, roll cages, frame stiffener kits, and tires that exceed the original specifications for the vehicle, may change the vehicle's center of gravity and handling characteristics both on- and off-road. You are aware that the installation of tires that are larger than original vehicle specifications may reduce the effectiveness of the braking system. Use of these products may place added stress to the original factory vehicle components which could cause them to weaken or possibly fail.

Products sold or manufactured by Thumper Fab are intended for off-road use only. Operation of a vehicle modified with these products on a road could result in serious bodily injury or death, and such operation may violate the laws of your state or municipality. You agree to operate your vehicle exclusively in the manner intended by the vehicle manufacturer. You agree that failure to safely and reasonably operate your vehicle could result in serious bodily injury or death, and that, as a result of installation of this product(s) to your vehicle, extreme care must be taken to prevent vehicle rollover or loss of control, which may be more likely to occur as a result of said modifications. You will avoid unsafe maneuvers, including sudden sharp turns or other abrupt maneuvers, which could make a vehicular accident more likely. You understand that Thumper Fab is not responsible or liable for any damages or any injuries to yourself or your passengers that could occur upon possible accidents due to driver error, incorrect installations, bad judgment, incompatibility with other aftermarket accessories or natural disasters to the fullest extent allowable by law. You will have all vehicle occupants fasten seatbelts, if equipped, and wear proper safety equipment, such as DOT approved helmet and eye protection prior to operating the vehicle. You understand and acknowledge that failure to wear proper safety equipment may increase the risk of serious bodily injury or death to yourself and any passengers.

Proper installation of products sold or manufactured by Thumper Fab requires knowledge of the factory recommended procedures for removal and installation of original equipment components. Installation of these products without proper knowledge and experience may affect the performance of these components and the safety of the vehicle and cause serious bodily injury or death. It is strongly recommended that a certified mechanic familiar with the installation of similar components perform the product(s) installation.

Prior to installing any products sold or manufactured by Thumper Fab, you will perform or cause to be performed an inspection of their vehicle to confirm its condition is suitable for the installation of these products. A proper inspection of the vehicle includes confirmation that the vehicle has not been in a collision and is free of corrosion. If the vehicle is suspected to have been in a collision or misused, or is otherwise unsuitable for modification, you will not install the product(s). You will continue to inspect the vehicle prior to each use to confirm its condition is suitable for its intended use, and you acknowledge that the failure to do so may result in serious bodily injury or death, as well as damage to the vehicle itself.

You will install any warning labels provided with the product so it may be prominently seen by yourself and all passengers. You will notify all passengers of the modifications performed to your vehicle prior to operation.

Insurance companies may handle coverage of a modified vehicle differently. Please check with your insurance carrier prior to modifying the vehicle to ensure your coverage remains sufficient. Installation of this product(s) may void your vehicle warranty. If this is a concern, please check with the manufacturer or dealer before purchase or installation of this product(s).



THUMPER FAB

Thumper Fab

5103 Elysian Fields Rd, Marshall, TX 75672

Customer Service: 903-472-0928

www.thumperfab.com