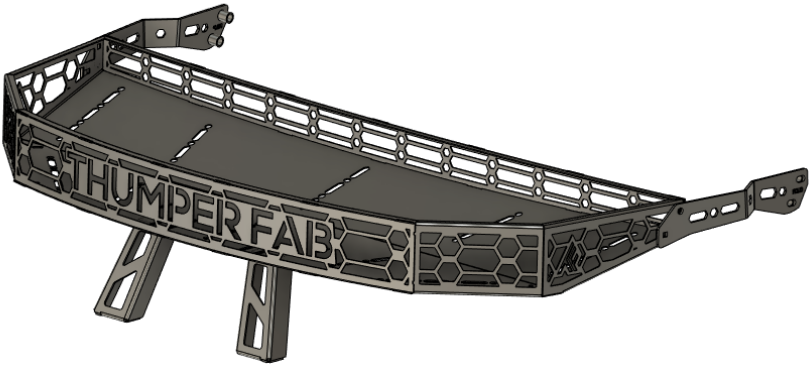


Polaris Ranger XP 1000
Hood Basket

SKU: TF011904, TF011906, TF011908



Thumper Fab

5103 Elysian Fields Rd, Marshall, TX 75672

Customer Service: 903-472-0928

Universal Hood Basket

SKU: TF001903



PARTS

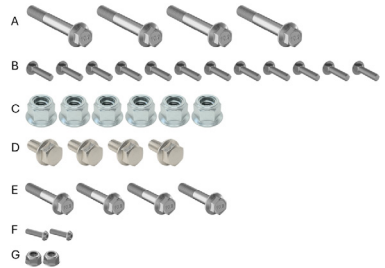
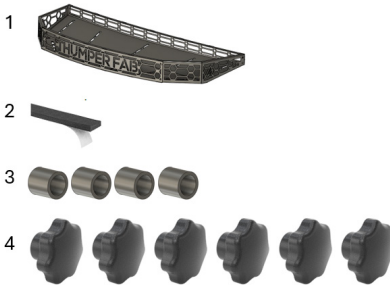
REF	QTY	DESCRIPTION
1	1	Hood Basket
2	10 in	Foam
3	4	Spacers
4	6	Plastic Knobs
HARDWARE KIT		
A	4	M10x70mm Flange Head Bolt
B	12	M8 Carriage Bolt
C	6	M8 Flange Nylon Lock Nut
D	4	M8x20mm Flange Head Bolt
E	4	M8x45mm Flange Head Bolt
F	2	1/4"x1" Button Head Screw
G	2	1/4" Nylon Lock Nut

TOOLS

- 13mm Socket and Wrench
- 15mm Socket
- 5/32" Allen Wrench
- 7/16" Wrench

Please Note:

Not all hardware will be used for installation. Hardware kit is universal and will result in unused hardware depending on installation.



Torque Specs:

SIZE (STANDARD)	GRADE 5	GRADE 8	SIZE (METRIC)	CLASS 8.8	CLASS 10.9
5/16"	15 ft/lbs	20 ft/lbs	6MM	5 ft/lbs	9 ft/lbs
3/8"	30 ft/lbs	35 ft/lbs	8MM	18 ft/lbs	23 ft/lbs
7/16"	45 ft/lbs	60 ft/lbs	10MM	32 ft/lbs	45 ft/lbs
1/2"	65 ft/lbs	90 ft/lbs	12MM	55 ft/lbs	75 ft/lbs
9/16"	95 ft/lbs	130 ft/lbs	14MM	85 ft/lbs	120 ft/lbs
5/8"	135 ft/lbs	175 ft/lbs	16MM	130 ft/lbs	165 ft/lbs
3/4"	185 ft/lbs	280 ft/lbs	18MM	170 ft/lbs	240 ft/lbs

BEFORE YOU BEGIN

If you do not feel comfortable installing your Thumper Fab Hood Basket, please see your nearest Dealer for installation.

Universal Hood Basket

SKU: TF001903



PARTS SPECIFIC TO (2025+ RANGER 1000 OEM BUMPER, TF011906.W)

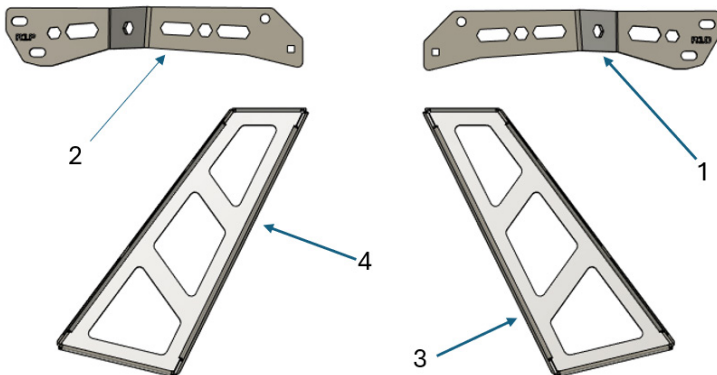
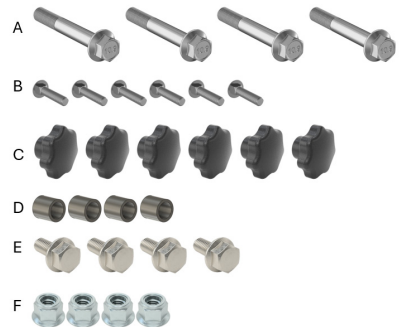
REF	QTY	DESCRIPTION
1	1	RANGER 1000 - Rear Mount Bracket - DR
2	1	RANGER 1000 - Rear Mount Bracket - PA
3	1	RANGER 1000 2025+ OEM Bumper Bracket - DR
4	1	RANGER 1000 2025+ OEM Bumper Bracket - PA
HARDWARE KIT FOR TF011906.W		
A	4	M10x70mm Flange Head Bolt
B	6	M8 Carriage Bolt
C	6	Plastic Knobs
D	4	Spacers
E	4	M8x20mm Flange Head Bolt

TOOLS

- 13mm Socket and Wrench
- 15mm Socket

Please Note:

Hardware and parts listed are specific for installation on a Ranger 1000 (2025+ Year Model, with an OEM Bumper) TF011906.W



INSTALLATION INSTRUCTIONS

Installation instructions will be laid out based on vehicle specific installation as installation procedure varies depending on year, make, model, and front bumper mounted on vehicle

Installation Procedure (Ranger 1000 - 2025+ OEM Bumper)

Lay a blanket or towel over the hood of the vehicle to prevent scratching. Begin by mounting RGR 1K 2025 OEM bumper mount brackets to the bumper using 4 x M8x20mm flange head bolts and 4 x M8 flange nylon lock nuts. Loosley tighten using a 13mm socket (FIG 1 & FIG 2).



FIG 1 & FIG 2 - Loosely mount bumper mount brackets using a 13mm socket and wrench

INSTALLATION INSTRUCTIONS

Installation Procedure (Ranger 1000 - 2025+ OEM Bumper)

Remove 4 factory OEM A-Pillar cage bolts, save the 4 nylon lock nuts as they will be reused (**FIG 3**).



FIG 3 - Remove 4 x A Pillar cage bolts, save nylon lock nuts

Prepare Ranger 1K - rear mount brackets for installation by inserting M10 x 70mm flange head bolts through the brackets and slide spacers over the bolts (**FIG 4**).



FIG 4 - Prepare Mount Brackets for installation

INSTALLATION INSTRUCTIONS

Installation Procedure (Ranger 1000 - 2025+ OEM Bumper)

Loosley fasten rear mount brackets to vehicle. Do not fully tighten (FIG 5).



FIG 5 - Fasten rear mount brackets to vehicle

Use 4 x M8 carriage bolts and 4 x plastic knobs to fasten basket to the rear mount brackets (FIG 6 & FIG 7).



FIG 6 & FIG 7 - Mount Basket to Rear Mount Brackets

INSTALLATION INSTRUCTIONS

Installation Procedure (Ranger 1000 - 2025+ OEM Bumper)

Fasten the main basket to the bumper mount brackets using 2 x M8 carriage bolts and 2 x plastic knobs (FIG 8 & FIG 9).

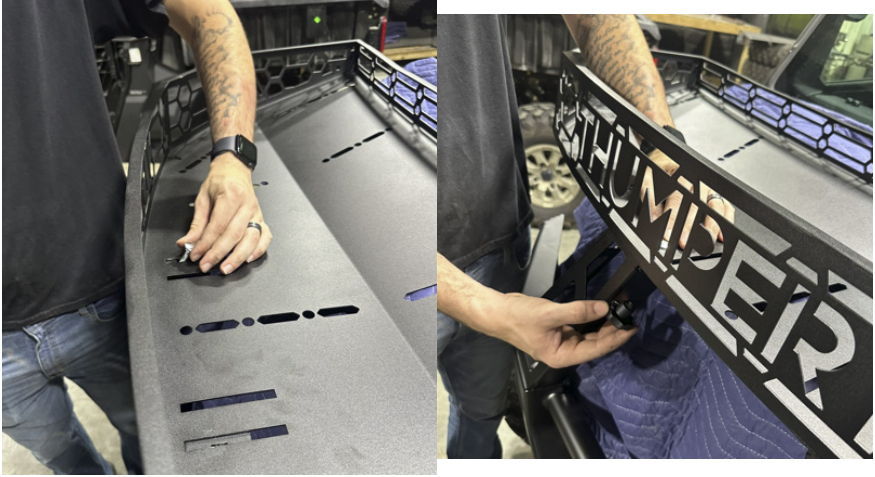


FIG 8 & FIG 9 - Fasten main basket to bumper mount brackets

Once all components are loosely fastened together, tighten all fasteners fully. Remove blanket or towel and hit the trails! (FIG 10).



FIG 10 - Fully tighten all fasteners

Universal Hood Basket

SKU: TF001903



PARTS SPECIFIC TO (2025 RGR 1K TF BUMPER, TF011908.W)

REF	QTY	DESCRIPTION
1	1	RANGER 1000 - Rear Mount Bracket - DR
2	1	RANGER 1000 - Rear Mount Bracket - PA
3	1	RANGER 1000 2025+ TF Bumper Bracket - DR
4	1	RANGER 1000 2025+ TF Bumper Bracket - PA
HARDWARE KIT FOR TF011908.W		
A	4	M10x70mm Flange Head Bolt
B	6	M8 Carriage Bolt
C	6	Plastic Knobs
D	4	Spacers
E	2	1/4"x1" Button Head Screw

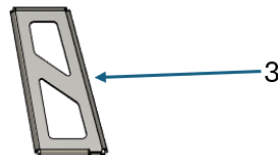
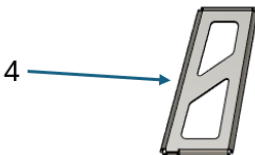
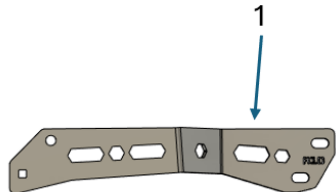
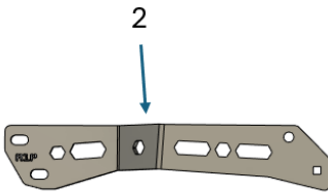
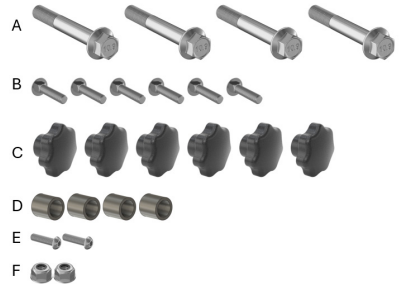
TOOLS

- 13mm Socket and Wrench
- 15mm Socket
- 5/32" Allen Wrench
- 7/16" Wrench

Please Note:

Hardware and parts listed are specific for installation on a Ranger 1000 (2025+ Year Model, with a TF Bumper - with Bull Bar Option)

TF011908.W



INSTALLATION INSTRUCTIONS

Installation Procedure (Ranger 1000 - 2025+ Thumper Fab Bumper)

Mounting of hood basket on a 2025+ Ranger 1000 with a Thumper Fab Bumper and Bull Bar is identical to the OEM bumper installation process except for different bumper mount brackets. Loosely fasten the Thumper Fab bumper mounts to the main basket using 2 x M8 carriage bolts, and 2 x plastic knobs (FIG 11 & FIG 12).

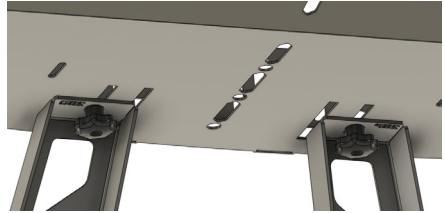


FIG 11 & FIG 12 - Fasten Bumper Mount Brackets to Main Basket

Fasten Thumper Fab bumper mount brackets to the bull bar using 2 x 1/4" x 1" button head screws and 2 x 1/4" nylon lock nuts. Tighten using a 5/32" allen wrench and a 7/16" wrench. Tighten all remaining hardware (FIG 13).

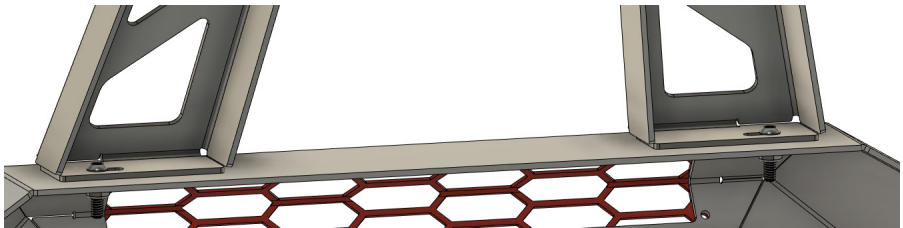


FIG 13 - Fasten Bumper Mount Brackets to Bull Bar

Universal Hood Basket

SKU: TF001903



PARTS SPECIFIC TO (18-24 RANGER 1000, TF011904.W)

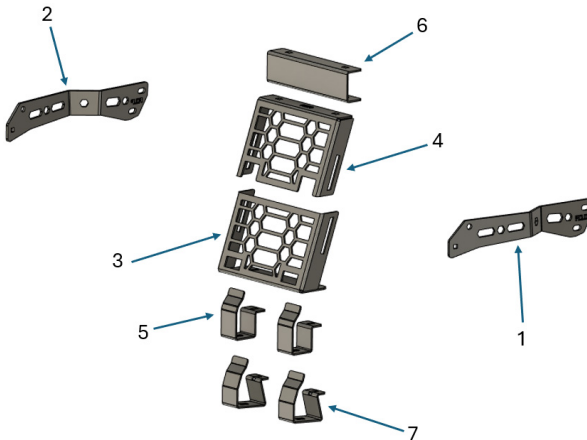
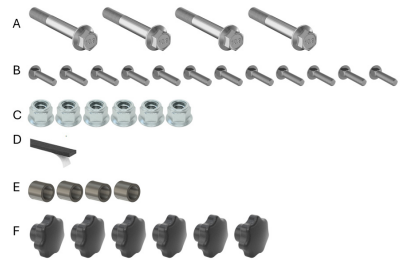
REF	QTY	DESCRIPTION
1	1	RANGER 1000 - Rear Mount Bracket - DR
2	1	RANGER 1000 - Rear Mount Bracket - PA
3	1	RANGER 1000 - Outer Bumper Mount Bracket
4	1	RANGER 1000 - Inner Bumper Mount Bracket
5	2	Lower Bull Bar Mount - OEM Bumper
6	1	Upper Bull Bar Mount - OEM
7	2	Lower Bull Bar Mount - TF Bumper
HARDWARE KIT FOR TF011904.W		
A	4	M10x70mm Flange Head Bolt
B	12	M8 Carriage Bolt
C	6	M8 Flange Nylon Lock Nut
D	10 in	Foam
E	4	Spacers

TOOLS

- 13mm Socket and Wrench
- 15mm Socket

Please Note:

Hardware and parts listed are specific for installation on a Ranger 1000 (18-24 Year Models) TF011904.W



INSTALLATION INSTRUCTIONS

Installation Procedure (Ranger 1000 - 2018-2024, OEM Bumper)

Mounting of hood basket on a 2018-2024 Ranger 1000 with an OEM Bumper is similar to the 2025 Ranger 1K installation process except for different bumper mount brackets. Loosely fasten the rear mount brackets and main basket the same as in FIG 5 - FIG 7. Mount upper bull bar mount to the main basket using 2 x M8 carriage bolts and 2 x plastic knobs (FIG 14 & FIG 15).



FIG 14 & FIG 15 - Fasten Upper Bull Bar mount to Main Basket

Fasten Ranger inner bumper mount bracket to the underside of the upper bull bar mount using 2 x M8 carriage bolts and 2 x M8 flange nylon lock nuts, tighten using a 13mm socket (FIG 16).

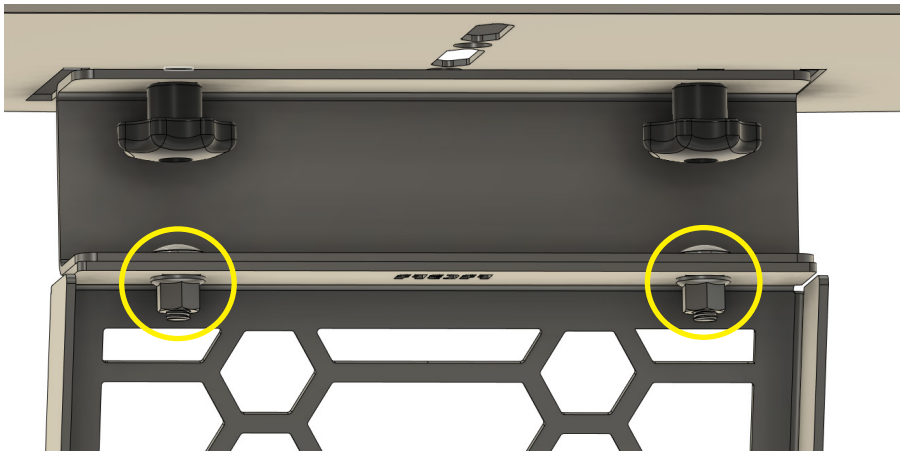


FIG 16 - Attach Ranger Inner Bumper Mount Bracket to Upper Bull Bar Mount

INSTALLATION INSTRUCTIONS

Installation Procedure (Ranger 1000 - 2018-2024, OEM Bumper)

Attach the Ranger outer bumper mount bracket to the Ranger inner bumper mount bracket using 2 x M8 carriage bolts and 2 x M8 flange nylon lock nuts. Loosley tighten using a 13mm socket. Do not fully tighten to allow for vertical adjustment of basket (**FIG 17**).

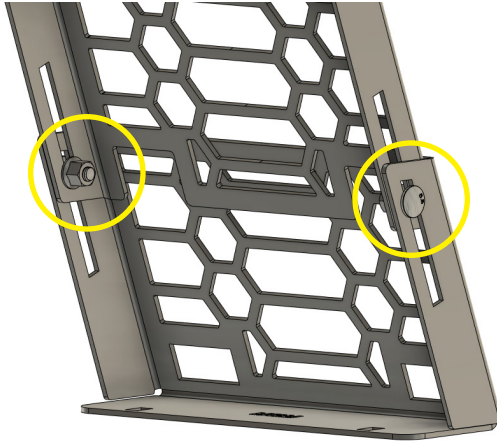


FIG 17 - Mount Ranger Outer Bumper Mount Bracket

Apply foam to the inside faces of the OEM lower bull bar mounts to prevent scratching of bull bar (**FIG 18**).



FIG 18 - Apply foam to Lower Bull Bar Mounts

INSTALLATION INSTRUCTIONS

Installation Procedure (Ranger 1000 - 2018-2024, OEM Bumper)

Tab the lower bull bar mounts into the Ranger outer bumper mount bracket and wrap lower bull bar mounts around OEM bull bar (**FIG 19**).

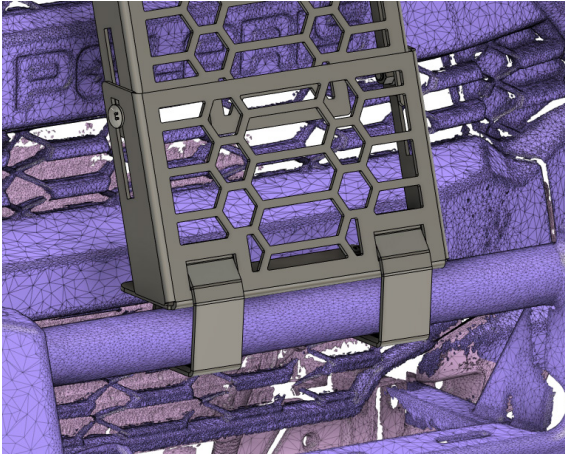


FIG 19 - Mount Lower Bull Bar Mounts around Bull Bar

Fasten the lower bull bar mounts to the outer bumper mount using 2 x M8 carriage bolts and 2 x M8 flange nylon lock nuts. Tighten using a 13mm wrench, tighten all remaining bolts (**FIG 20**).

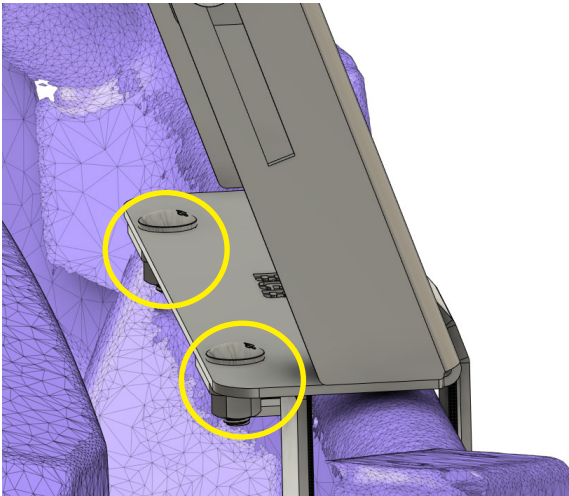


FIG 20 - Fasten Lower Bull Bar Mounts using a 13mm Wrench

INSTALLATION INSTRUCTIONS

Installation Procedure (Ranger 1000 - 2018-2024, TF Bumper)

Mounting of the hood basket to a Thumper Fab Bumper on an 18-24 follows the same procedure except the upper bull bar mount is not used in the installation process. Mount the inner bull bracket directly to the underside of the main basket using 2 x M8 carriage bolts and 2 x plastic knobs (**FIG 21**).

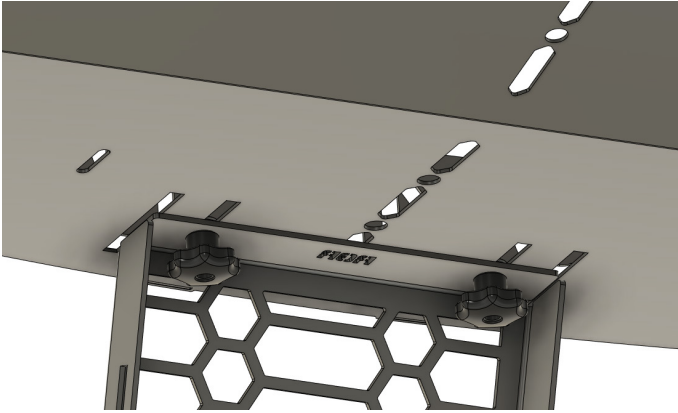


FIG 21 - Mount Inner Bumper Mount to Main Basket

Fasten the outer bumper mount to the inner bumper mount using 2 x M8 carriage bolts and 2 x M8 flange nylon lock nuts. Loosley tighten using a 13mm socket (**FIG 22**).

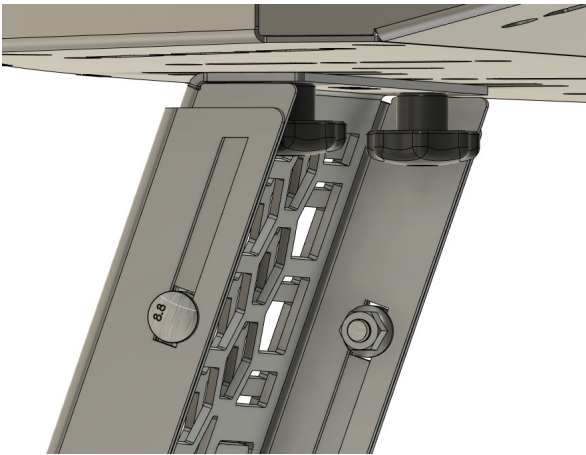


FIG 22 - Fasten Outer Bumper Mount to Inner Bumper Mount using a 13mm Wrench

INSTALLATION INSTRUCTIONS

Installation Procedure (Ranger 1000 - 2018-2024, TF Bumper)

Apply foam to the inside faces of the Thumper Fab lower bull bar mounts to prevent scratching of bull bar. Wrap around bull bar and slot into the outer bumper mount (**FIG 23 & FIG 24**).

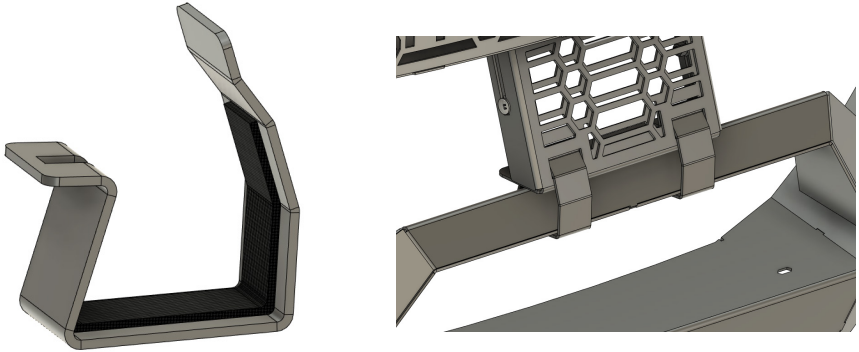


FIG 23 & Fig 24 - Apply Foam to Lower Bull Bar Mount and wrap Mounts around Bull Bar

Fasten the lower bull bar mounts to the outer bumper mount using 2 x M8 carriage bolts and 2 x M8 flange nylon lock nuts. Tighten using a 13mm socket. Tighten all remaining hardware (**FIG 25**).

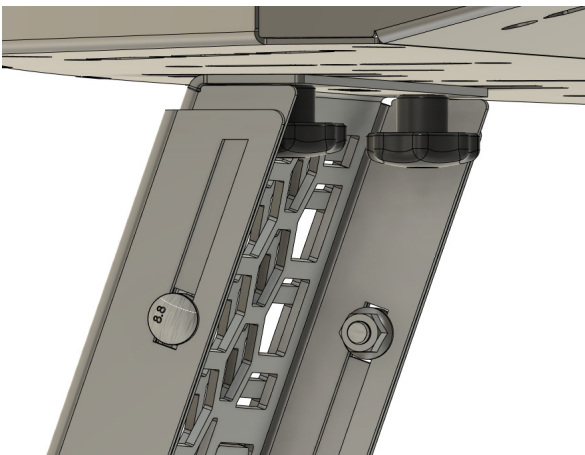


FIG 25 - Fasten Thumper Fab Lower Bumper Mounts to the Outer Bumper Mount Bracket using a 13mm Wrench

INSTALLATION INSTRUCTIONS

PRODUCT DISCLAIMER

The installation of products sold or manufactured by Thumper Fabrication, LLC (Thumper Fab) including, but not limited to suspension components such as lift kits, audio roofs, roll cages, frame stiffener kits, and tires that exceed the original specifications for the vehicle, may change the vehicle's center of gravity and handling characteristics both on- and off-road. You are aware that the installation of tires that are larger than original vehicle specifications may reduce the effectiveness of the braking system. Use of these products may place added stress to the original factory vehicle components which could cause them to weaken or possibly fail.

Products sold or manufactured by Thumper Fab are intended for off-road use only. Operation of a vehicle modified with these products on a road could result in serious bodily injury or death, and such operation may violate the laws of your state or municipality. You agree to operate your vehicle exclusively in the manner intended by the vehicle manufacturer. You agree that failure to safely and reasonably operate your vehicle could result in serious bodily injury or death, and that, as a result of installation of this product(s) to your vehicle, extreme care must be taken to prevent vehicle rollover or loss of control, which may be more likely to occur as a result of said modifications. You will avoid unsafe maneuvers, including sudden sharp turns or other abrupt maneuvers, which could make a vehicular accident more likely. You understand that Thumper Fab is not responsible or liable for any damages or any injuries to yourself or your passengers that could occur upon possible accidents due to driver error, incorrect installations, bad judgment, incompatibility with other aftermarket accessories or natural disasters to the fullest extent allowable by law. You will have all vehicle occupants fasten seatbelts, if equipped, and wear proper safety equipment, such as DOT approved helmet and eye protection prior to operating the vehicle. You understand and acknowledge that failure to wear proper safety equipment may increase the risk of serious bodily injury or death to yourself and any passengers.

Proper installation of products sold or manufactured by Thumper Fab requires knowledge of the factory recommended procedures for removal and installation of original equipment components. Installation of these products without proper knowledge and experience may affect the performance of these components and the safety of the vehicle and cause serious bodily injury or death. It is strongly recommended that a certified mechanic familiar with the installation of similar components perform the product(s) installation.

Prior to installing any products sold or manufactured by Thumper Fab, you will perform or cause to be performed an inspection of their vehicle to confirm its condition is suitable for the installation of these products. A proper inspection of the vehicle includes confirmation that the vehicle has not been in a collision and is free of corrosion. If the vehicle is suspected to have been in a collision or misused, or is otherwise unsuitable for modification, you will not install the product(s). You will continue to inspect the vehicle prior to each use to confirm its condition is suitable for its intended use, and you acknowledge that the failure to do so may result in serious bodily injury or death, as well as damage to the vehicle itself.

You will install any warning labels provided with the product so it may be prominently seen by yourself and all passengers. You will notify all passengers of the modifications performed to your vehicle prior to operation.

Insurance companies may handle coverage of a modified vehicle differently. Please check with your insurance carrier prior to modifying the vehicle to ensure your coverage remains sufficient. Installation of this product(s) may void your vehicle warranty. If this is a concern, please check with the manufacturer or dealer before purchase or installation of this product(s).



THUMPER FAB

Thumper Fab

5103 Elysian Fields Rd, Marshall, TX 75672

Customer Service: 903-472-0928

www.thumperfab.com