



THUMPER FAB

Aluminum Audio Roofs • Roll Cages • UTV Accessories

2025 Polaris Ranger 1000XP Front Winch Bumper

SKU: TF010504



Thumper Fab

5103 Elysian Fields Rd, Marshall, TX 75672

Customer Service: 903-472-0928

www.thumperfab.com

Ver. 0624

2025 Polaris Ranger 1000XP

Front Winch Bumper

SKU: TF010504



PARTS

REF	QTY	DESCRIPTION
1	1	Main Bumper Shell
2	1	Bumper Mount
3	1	Bash Plate
4	1	Under Winch Stiffener
5	1	Light Bar Cover - DR
6	1	Light Bar Cover - PA
HARDWARE KIT		
A	8	1/4" X 3/4" Button Head Screw
B	8	1/4" Flange Nylon Lock Nut
C	12	M8 x 25mm Flange Head Bolt
D	12	M8 Flange Nylon Lock Nut
E	6	M10 x 25mm Flange Head Bolt
F	4	M10 Flange Nylon Lock Nuts
G	4	M8 Fender Washers

TOOLS

- 5/32" Allen
- 7/16" Socket
- 13mm Socket and Wrench
- 15mm Socket and Wrench

Torque Specs:

SIZE (STANDARD)	GRADE 5	GRADE 8	SIZE (METRIC)	CLASS 8.8	CLASS 10.9
5/16"	15 ft/lbs	20 ft/lbs	6MM	5 ft/lbs	9 ft/lbs
3/8"	30 ft/lbs	35 ft/lbs	8MM	18 ft/lbs	23 ft/lbs
7/16"	45 ft/lbs	60 ft/lbs	10MM	32 ft/lbs	45 ft/lbs
1/2"	65 ft/lbs	90 ft/lbs	12MM	55 ft/lbs	75 ft/lbs
9/16"	95 ft/lbs	130 ft/lbs	14MM	85 ft/lbs	120 ft/lbs
5/8"	135 ft/lbs	175 ft/lbs	16MM	130 ft/lbs	165 ft/lbs
3/4"	185 ft/lbs	280 ft/lbs	18MM	170 ft/lbs	240 ft/lbs

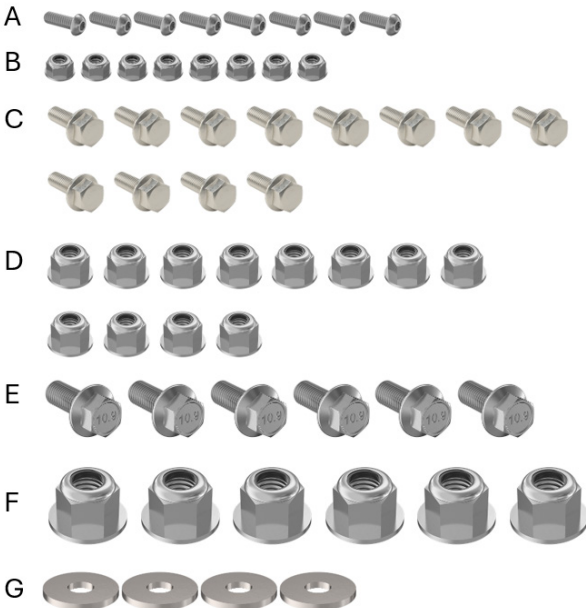
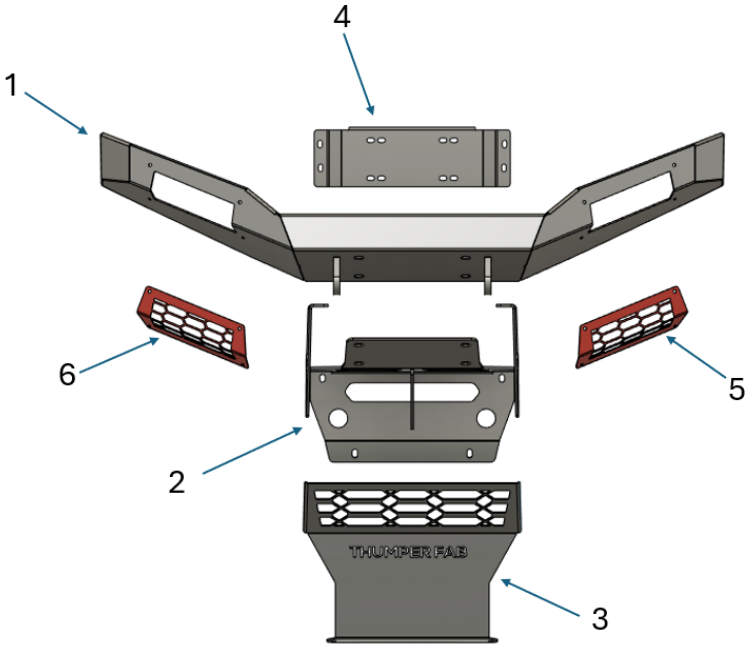
BEFORE YOU BEGIN

If you do not feel comfortable installing your Thumper Fab Front Bumper, please see your nearest Polaris® Dealer for installation.

2025 Polaris Ranger 1000XP

Front Winch Bumper

SKU: TF010504



2025 Polaris Ranger 1000XP

Front Winch Bumper

SKU: TF010504

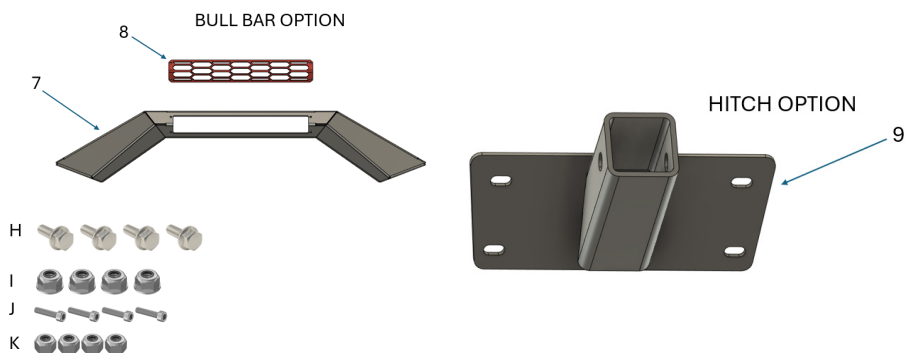


OPTIONAL PARTS

REF	QTY	DESCRIPTION
BULL BAR OPTION (TF010504.B)		
7	1	Bull Bar
8	1	Bull Bar Light Cover
BULL BAR HARDWARE KIT		
H	4	M8 x 25mm Flange Head Bolt
I	4	M8 Flange Nylon Lock Nut
J	4	#8 x 3/4" Socket Cap Screw
K	4	#8 Nylon Lock Nut
HITCH OPTION (TF010504.C)		
9	8	Hitch Receiver

TOOLS

- 9/64" Allen
- 11/32" Wrench
- 13mm Socket and Wrench



INSTALLATION INSTRUCTIONS

Installation Preparation

Place the vehicle in park and disconnect the battery and all electrical connections to the OEM Winch. Remove OEM Bumper and set aside



FIG 1 - Remove OEM Bumper

Remove the winch and winch mounting plate from the vehicle (**FIG 2**).



FIG 2 - Remove OEM Winch and Winch Mounting Plate

INSTALLATION INSTRUCTIONS

Installation Preparation

If the OEM winch is being reused, route the wires to the hood compartment of the vehicle (**FIG 3**).



FIG 3 - Reroute winch wiring (If reusing stock winch)

Mount light covers (**5&6**) to the main bumper shell (**1**) using 8 x 1/4" x 3/4" button head screws (**A**) and 8 x 1/4" flange nylon lock nuts (**B**). If wing light option was selected, mount led lights to the inside of wings using brackets supplied in light box and fasten to wing using same hardware that fastens light covers to wing. Tighten using a 5/32" allen and 7/16" socket (**FIG 4 & FIG 5**).



FIG 4 & FIG 5 - Mount Light Covers to Main Bumper Shell. If applicable, mount wing lights at same time as Light Covers

INSTALLATION INSTRUCTIONS

Installation Preparation

If bull bar option is selected, fasten the bull bar light cover to the bull bar using 4 x #8 x 3/4" socket cap screws (**J**) and 4 x #8 nylon lock nuts (**K**). If bull bar light option was selected, mount the light to the bull bar using the brackets and hardware provided in the light box. Tighten hardware using a 9/64" allen and 11/32" wrench (**FIG 6 & FIG 7**).



FIG 6 & FIG 7 - Install Bull Bar and Light Bar if applicable

Mount the bull bar (**7**) to the main bumper shell (**1**) if applicable. Use 4 x M8 x 25mm flange head bolts (**H**) and 4 x M8 flange nylon lock nuts (**I**). Tighten using a 13mm wrench and 13mm socket (**FIG 8**).



FIG 8 - Mount Bull Bar to Main Bumper Shell (If Applicable)

INSTALLATION INSTRUCTIONS

Installation Preparation

Mount the bumper mount (2) to the vehicle starting with the middle bolts. Use 2 x M10 x 25mm flange head bolts (E), loosley tighten using a 15mm socket (FIG 9).

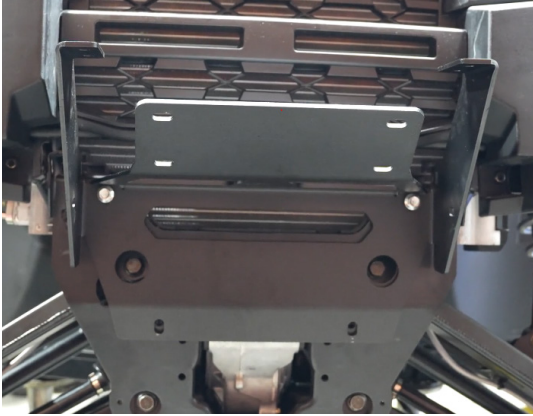


FIG 9 - Loosley fasten Bumper Mount (2) to vehicle

Install bolts in upper most mounts using 2 x M10 x 25mm flange head bolts (E) and 2 x M10 nylon lock nuts (F) (FIG 10).



FIG 10 - Install bolts in upper mount holes of Bumper Mount

INSTALLATION INSTRUCTIONS

Installation

Install 2 x M10 x 25mm flange head bolts (**E**) and 2 x M10 flange nylon lock nuts (**F**) into the lower mounting holes. Tighten all bumper mount hardware using a 15mm socket and 15mm wrench (**FIG 11**).

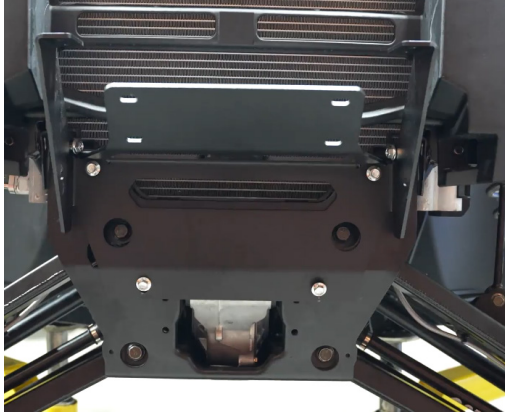


FIG 11 - Install lower bolts and tighten all mount hardware evenly

Mount the main bumper shell (**1**) and the under winch stiffener (**4**) to the bumper mount (**2**) using 4 x M8 x 25mm flange head bolts (**C**), 4 x M8 fender washers (**G**) and 4 x M8 flange nylon lock nuts (**D**). Loosely tighten using a 13mm socket and 13mm wrench (**FIG 12 & FIG 13**).

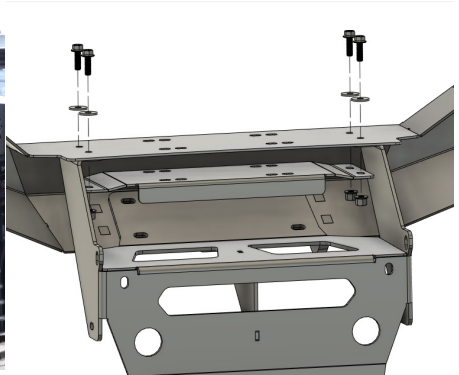


FIG 12 & FIG 13 - Mount Bumper Shell and Under Winch Stiffener to Bumper Mount

INSTALLATION INSTRUCTIONS

Installation

Install 4 x M8 x 25mm flange head bolts (**C**) and 4 x M8 flange nylon lock nuts (**D**) into the lower mounting holes. If hitch option was selected, fasten hitch receiver with same hardware to outside of bumper. Tighten all bumper mount hardware using a 13mm socket and 13mm wrench (**FIG 14 & FIG 15**).

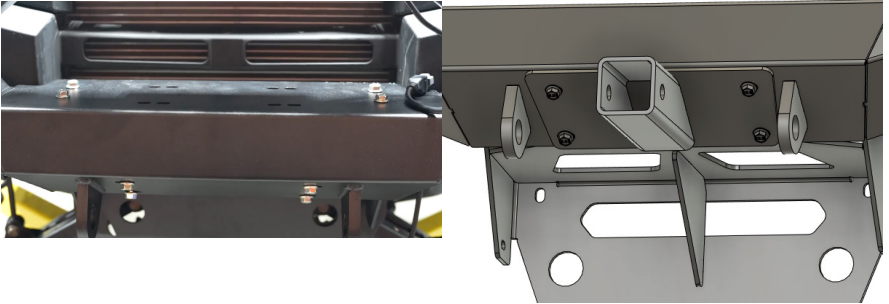


FIG 14 & 15 - Install lower bolts and tighten all mount hardware evenly

Mount the bash plate (**3**) to the bumper mount (**2**) and the vehicle frame using 4 x M8 x 25mm flange head bolts and 4 x M8 flange nylon lock nuts. Tighten using a 13mm socket and 13mm wrench (**FIG 16**).

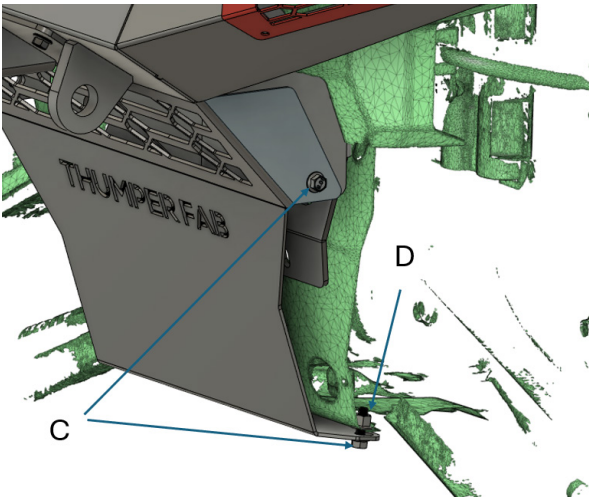


FIG 16 - Mount the Bash Plate to the Bumper Mount and the vehicle frame

INSTALLATION INSTRUCTIONS

PRODUCT DISCLAIMER

The installation of products sold or manufactured by Thumper Fabrication, LLC (Thumper Fab) including, but not limited to suspension components such as lift kits, audio roofs, roll cages, frame stiffener kits, and tires that exceed the original specifications for the vehicle, may change the vehicle's center of gravity and handling characteristics both on- and off-road. You are aware that the installation of tires that are larger than original vehicle specifications may reduce the effectiveness of the braking system. Use of these products may place added stress to the original factory vehicle components which could cause them to weaken or possibly fail.

Products sold or manufactured by Thumper Fab are intended for off-road use only. Operation of a vehicle modified with these products on a road could result in serious bodily injury or death, and such operation may violate the laws of your state or municipality. You agree to operate your vehicle exclusively in the manner intended by the vehicle manufacturer. You agree that failure to safely and reasonably operate your vehicle could result in serious bodily injury or death, and that, as a result of installation of this product(s) to your vehicle, extreme care must be taken to prevent vehicle rollover or loss of control, which may be more likely to occur as a result of said modifications. You will avoid unsafe maneuvers, including sudden sharp turns or other abrupt maneuvers, which could make a vehicular accident more likely. You understand that Thumper Fab is not responsible or liable for any damages or any injuries to yourself or your passengers that could occur upon possible accidents due to driver error, incorrect installations, bad judgment, incompatibility with other aftermarket accessories or natural disasters to the fullest extent allowable by law. You will have all vehicle occupants fasten seatbelts, if equipped, and wear proper safety equipment, such as DOT approved helmet and eye protection prior to operating the vehicle. You understand and acknowledge that failure to wear proper safety equipment may increase the risk of serious bodily injury or death to yourself and any passengers.

Proper installation of products sold or manufactured by Thumper Fab requires knowledge of the factory recommended procedures for removal and installation of original equipment components. Installation of these products without proper knowledge and experience may affect the performance of these components and the safety of the vehicle and cause serious bodily injury or death. It is strongly recommended that a certified mechanic familiar with the installation of similar components perform the product(s) installation.

Prior to installing any products sold or manufactured by Thumper Fab, you will perform or cause to be performed an inspection of their vehicle to confirm its condition is suitable for the installation of these products. A proper inspection of the vehicle includes confirmation that the vehicle has not been in a collision and is free of corrosion. If the vehicle is suspected to have been in a collision or misused, or is otherwise unsuitable for modification, you will not install the product(s). You will continue to inspect the vehicle prior to each use to confirm its condition is suitable for its intended use, and you acknowledge that the failure to do so may result in serious bodily injury or death, as well as damage to the vehicle itself.

You will install any warning labels provided with the product so it may be prominently seen by yourself and all passengers. You will notify all passengers of the modifications performed to your vehicle prior to operation.

Insurance companies may handle coverage of a modified vehicle differently. Please check with your insurance carrier prior to modifying the vehicle to ensure your coverage remains sufficient. Installation of this product(s) may void your vehicle warranty. If this is a concern, please check with the manufacturer or dealer before purchase or installation of this product(s).



THUMPER FAB

Thumper Fab

5103 Elysian Fields Rd, Marshall, TX 75672

Customer Service: 903-472-0928

www.thumperfab.com