



THUMPER FAB

Aluminum Audio Roofs • Roll Cages • UTV Accessories

POLARIS RANGER 500/570 & SP570 **Front Winch Bumper**

SKU: TF100501, TF100502



Thumper Fab

5103 Elysian Fields Rd, Marshall, Tx 75672

Customer Service: 903-472-0928

www.thumperfab.com

Ver. 0322

POLARIS RANGER 500/570 & SP 570

Front Winch Bumper

SKU: TF100501, TF100502



PARTS

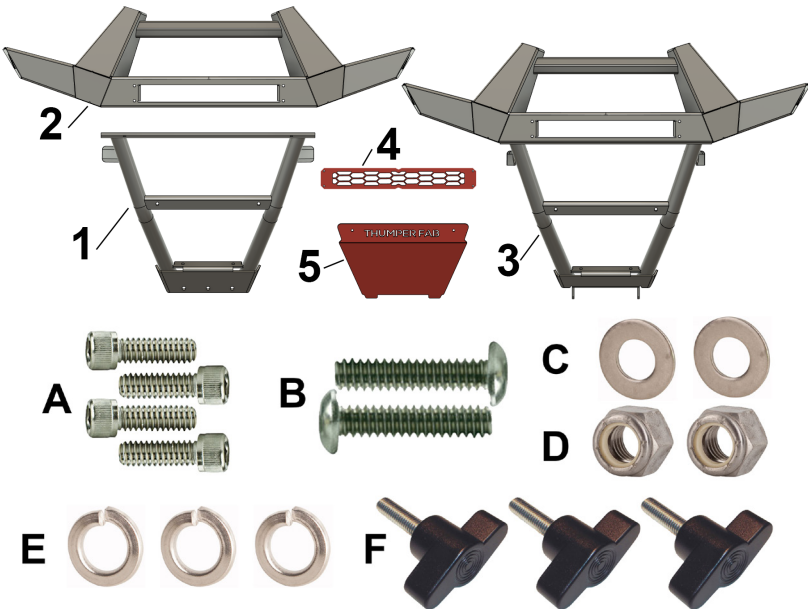
REF	QTY	DESCRIPTION
1	1	Bumper Mount (100501)
2	1	Bumper Body (100501)
3	1	Bumper (100502)
4	1	Light Bar Cover (Both)
5	1	Skid Plate (Both)
HARDWARE KIT		
A	4	#8-32 X 1/2" Socket Cap Screw (Both)
B	2	1/4"-20 x 3/4" Socket Cap Screw (Both)
C	2	1/4" x 1/2" Flat Washer (Both)
D	2	1/4"-20 Lock Nut (Both)
E	3	5/16" Lock Washer (100501)
F	3	Two Arm Thumb Screw (100501)

TOOLS

- 7/16" Socket/Wrench
- 13mm Sockets/Wrenches
- 9/64" Allen Wrench
- 5/32" Allen Wrench

BEFORE YOU BEGIN

If you do not feel comfortable installing your **Thumper Fab** Front Winch Bumper, please see your nearest Polaris® Dealer for installation.



INSTALLATION INSTRUCTIONS

Remove Stock Bumper

Use 13mm sockets/wrenches to remove hardware attaching the stock bumper to the unit. On 500/570 models, only one socket is needed. There are two bolts on each side (**FIG 1**) and three bolts at the bottom of the bumper (**FIG 2**) that need to be removed. On SP 570 models, two 13mm sockets/wrenches will be required to remove hardware. There is one bolt on the top of each side (**FIG 3**) and one bolt on the bottom of each side (**FIG 4**) that will need to be removed.



FIG 1 - Side Bolts (500/570) - 13mm



FIG 2 - Lower Bolts (500/570) - 13mm



FIG 3 - Upper Side Bolt (SP 570)- 13mm



FIG 4 - Lower Side Bolt (SP 570) - 13mm

Install Skid Plate

Slide tabs of skid plate (**5**) into tabs on bumper (**3**), or bumper mount (**2**) for 500/570 units and use 1/4" hardware to attach skid plate (**FIG 5**). The hardware order should be 1/4"-20 x 3/4" Socket Cap Screw (**B**) → 1/4" x 1/2" Flat Washer (**C**) → Skid Plate → Bumper → 1/4"-20 Lock Nut (**D**). Tighten with 5/32" allen wrench and 7/16" socket/wrench.



**FIG 5 - Install Skid Plate
5/32" Allen, 7/16" Socket**

INSTALLATION INSTRUCTIONS - Continued

Mounting Bumper

Position bumper mount (1) for 500/570 models or bumper (3) for SP 570 models where stock bumper was mounted. Use stock hardware to attach bumper to unit. Tighten with 13mm sockets/wrenches.

Attach Bumper Body to Bumper Mount (500/570 Models)

Position bumper body (2) onto bumper mount and align holes. Use the thumb screws (F) and 5/16" lock washers (E) to secure the body to the mount. From bottom to top, the hardware order should be *Thumb Screw* → *5/16" Lock Washer* → *Bumper Mount* → *Bumper Body*. Tighten thumb screws by hand as tight as possible.

Note: On 500/570 units, to fully open the front hood, the bumper body will need to be removed from the bumper mount.

Install Light And Winch

If using light kit, use included hardware and allen wrench to mount light bar to light bar tabs (FIG 6). Refer to wiring insert for wiring information. If installing winch, use hardware included with your winch to mount winch to bumper. You will need a Thumper Fab Universal Fairlead Winch Plate (TF000908) to mount your fairlead. Refer to winch manufacturer for wiring instructions.

Install Light Bar Cover

Use #8-32 X 1/2" socket cap screws (A) to attach light bar cover to bumper (FIG 7). Use 9/64" allen wrench to tighten.



FIG 6 - Mount Light Bar



FIG 7 - Install Light Bar Cover - 9/64" Allen