



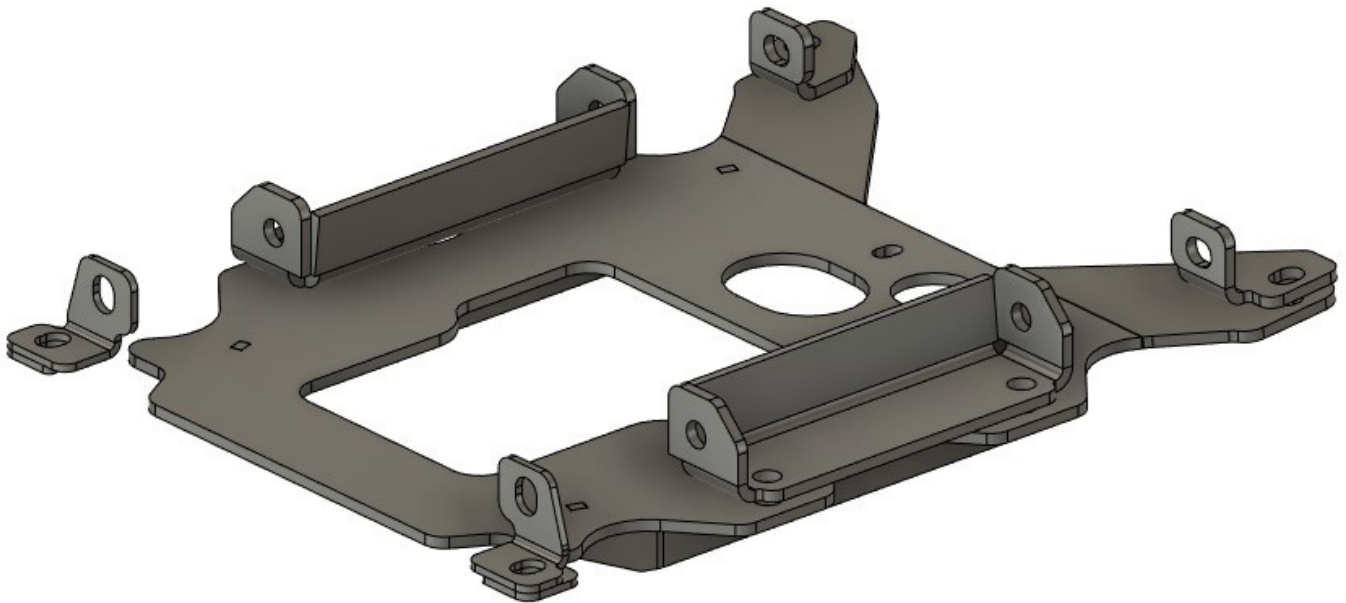
THUMPER FAB

Aluminum Audio Roofs ♦ Roll Cages ♦ UTV Accessories

Polaris/Ranger XP

Frame Stiffener

SKU: TF010002



Thumper Fab

5103 Elysian Fields Rd, Marshall, TX 75672
Customer Service: 903-472-0928

www.thumperfab.com

VER. 1124

Polaris/Ranger XP

Frame Stiffener

SKU: TF010002

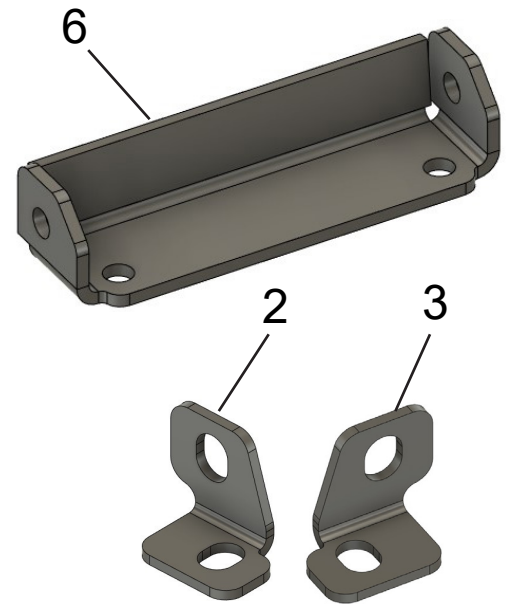
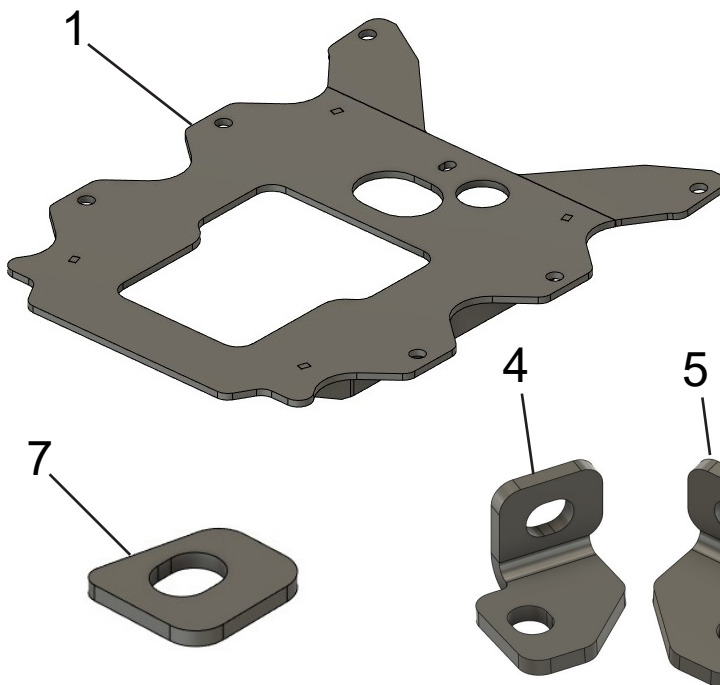
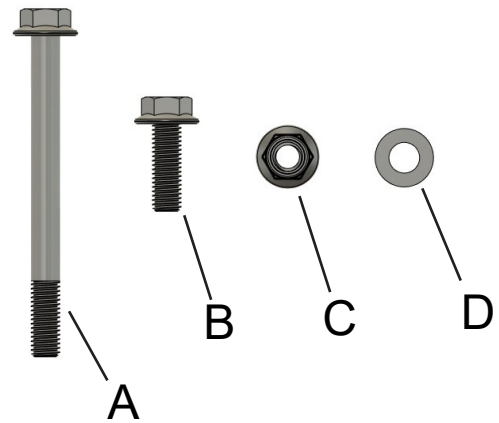


PARTS

REF	QTY	DESCRIPTION
1	1	BASE PLATE
2	1	FWD Bracket - DRIVER
3	1	FWD Bracket - PASSENGER
4	1	RWD Bracket - DRIVER
5	1	RWD Bracket - PASSENGER
6	2	MIDDLE BRACKET
7	2	SPACER
HARDWARE KIT		
A	8	M10-1.50mm, 110mm Flange Bolt
B	4	M10-1.50mm, 30mm Flange Bolt
C	12	M10-1.50mm Lock Nut
D	12	M10 Washer

TOOLS

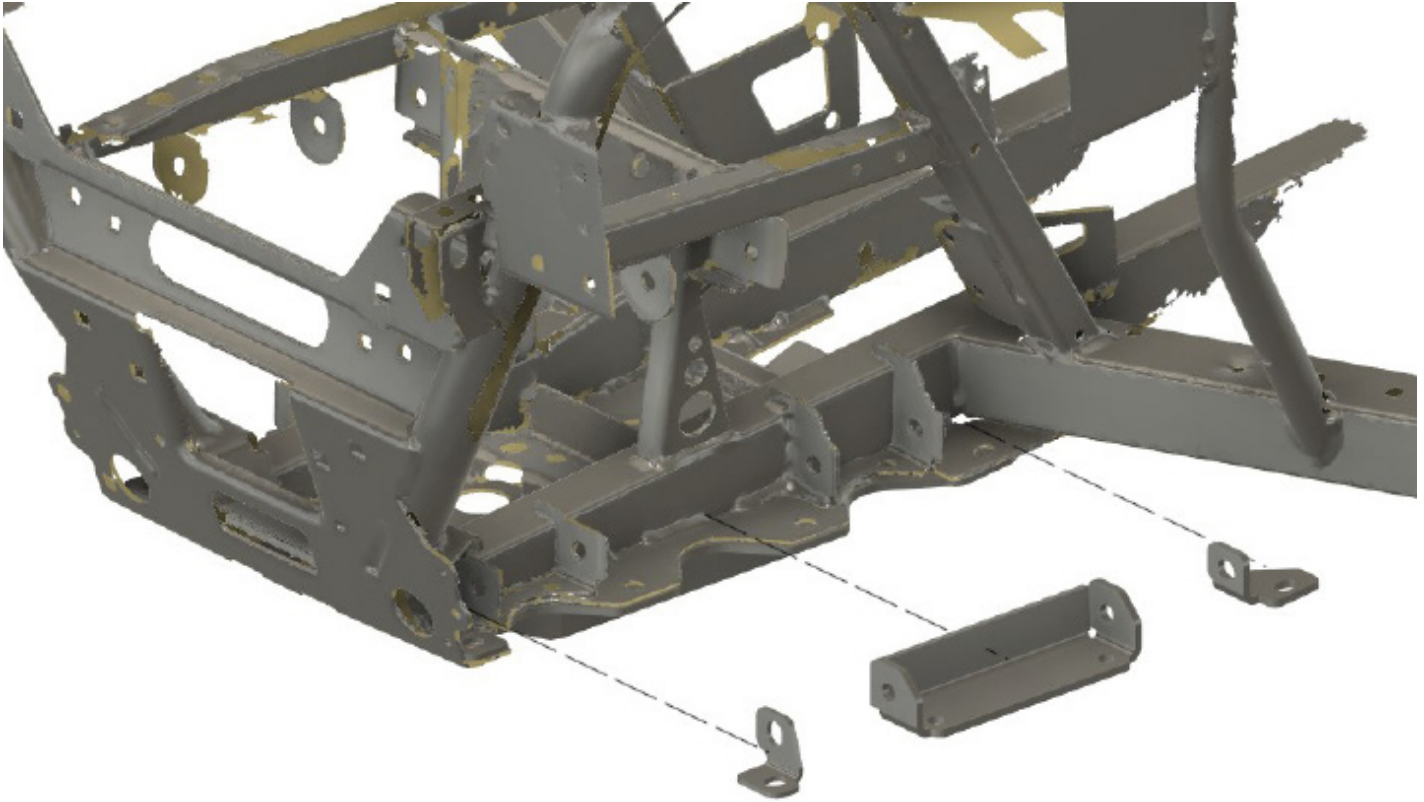
- 15mm Socket
- 17mm Socket
- 15mm Wrench
- 17mm Wrench
- Ratchet



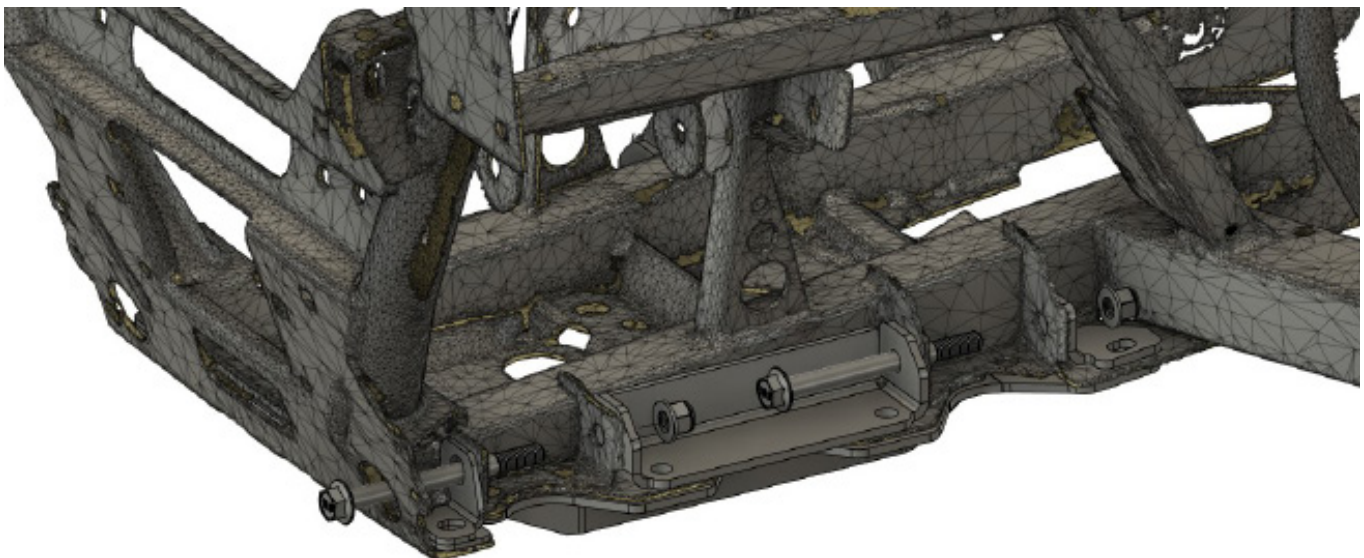
BEFORE YOU BEGIN
 If you do not feel comfortable installing your Thumper Fab Polaris General Frame Stiffener Kit, please see your nearest Polaris® Dealer for installation.

INSTALLATION INSTRUCTIONS

1. Position Vehicle on a clean and level work area. Place vehicle in park and chock rear wheels. Jack up front of vehicle so the front suspension is free and support with jack stands.
2. Remove bolts connecting lower control arms to vehicle frame using 15mm socket and wrench.
3. Install the FWD Brackets, Middle Bracket and RWD Brackets into place. DRIVER SIDE shown below. Repeat for the passenger side. SEE BELOW.

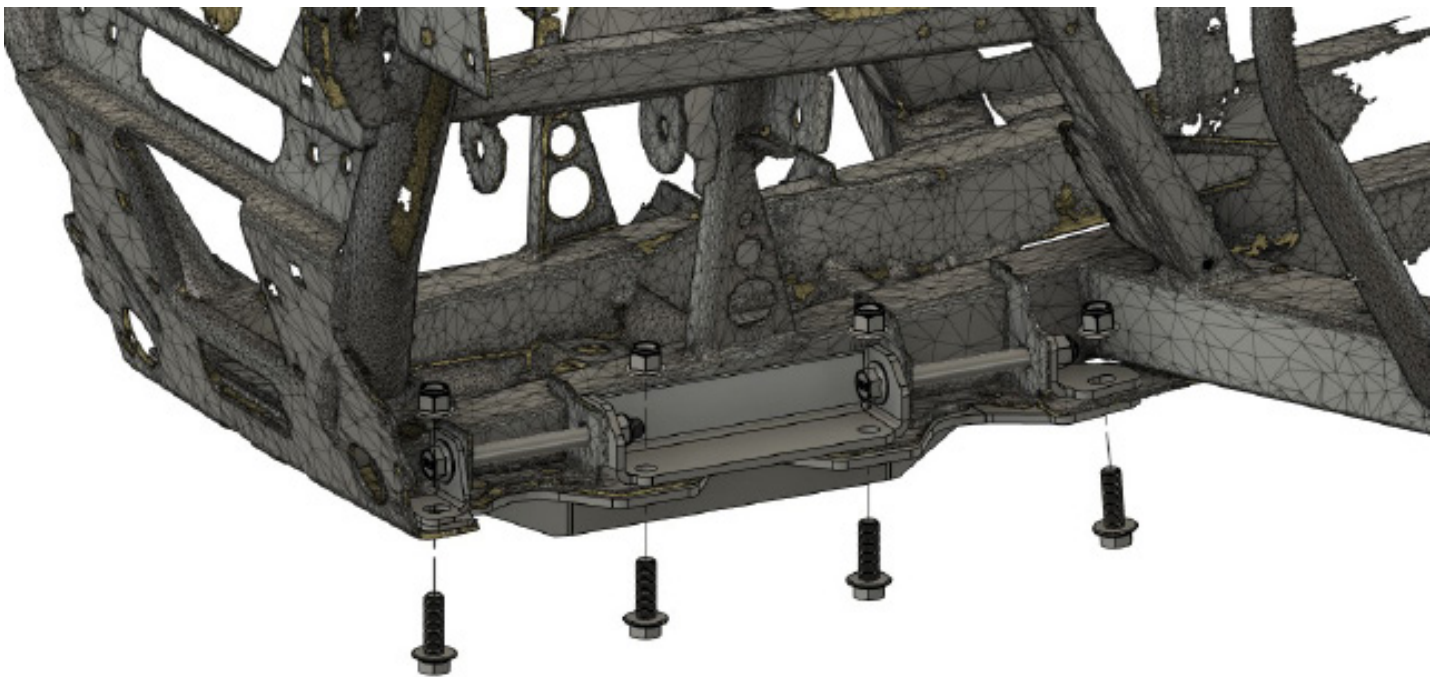
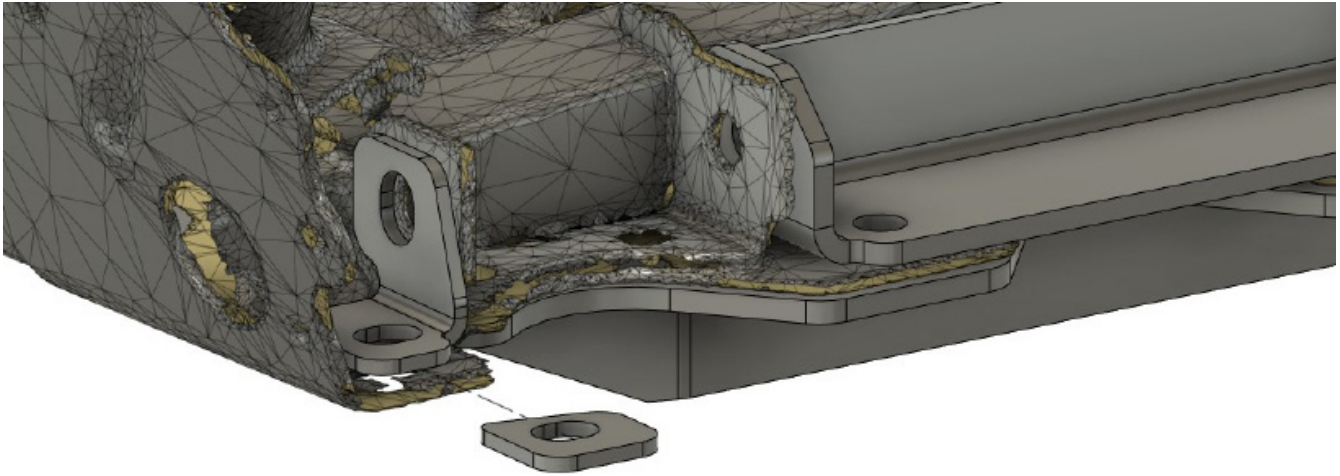


4. Next, install the M10 x 110mm bolts through the brackets and the control arms. LOOSELY fasten with the M10 Locknuts for now. Tighten later on in the installation process. SEE BELOW.



INSTALLATION INSTRUCTIONS

5. Next, lift the BASE PLATE up into place and secure it with the M10 x 30mm bolts. Install the bolts from the bottom, up through the chassis, then through the other brackets and fasten with more of the M10 Locknuts. For the very front two mounts holes, place the SPACER(s) between the FWD Brackets and the chassis before installing those M10x30mm bolts. SEE BELOW.



6. After all hardware has been installed, go back and tighten all bolts/nuts. This will complete the installation of the frame stiffener kit.

INSTALLATION INSTRUCTIONS

The installation of products sold or manufactured by Thumper Fab including, but not limited to suspension components such as lift kits, control arms, frame stiffener kits, roofs, roll cages, and tires that exceed the original specifications for the vehicle, may change the vehicle's center of gravity and handling characteristics both on and off-road. You are aware that the installation of tires that are larger than original vehicle specifications may reduce the effectiveness of the braking system. Use of these products may place added stress to the original factory vehicle components which could cause them to weaken or possibly fail.

Products sold or manufactured by Thumper Fab are intended for off-road use only. Operation of a vehicle modified with these products on a road could result in serious bodily injury or death, and such operation may violate the laws of your state or municipality. You agree to operate your vehicle exclusively in the manner intended by the vehicle manufacturer. You agree that failure to safely and reasonably operate your vehicle could result in serious bodily injury or death, and that, as a result of installation of this product(s) to your vehicle, extreme care must be taken to prevent vehicle rollover or loss of control, which may be more likely to occur as a result of said modifications. You will avoid unsafe maneuvers, including sudden sharp turns or other abrupt maneuvers, which could make a vehicular accident more likely. You understand that Thumper Fab is not responsible or liable for any damages or any injuries to yourself or your passengers that could occur upon possible accidents due to driver error, incorrect installations, bad judgment, incompatibility with other aftermarket accessories or natural disasters to the fullest extent allowable by law. You will have all vehicle occupants fasten seat belts, if equipped, and wear proper safety equipment, such as DOT approved helmet and eye protection prior to operating the vehicle. You understand and acknowledge that failure to wear proper safety equipment may increase the risk of serious bodily injury or death to yourself and any passengers.

Proper installation of products sold or manufactured by Thumper Fab requires knowledge of the factory recommended procedures for removal and installation of original equipment components. Installation of these products without proper knowledge and experience may affect the performance of these components and the safety of the vehicle and cause serious bodily injury or death. It is strongly recommended that a certified mechanic familiar with the installation of similar components perform the product(s) installation.

Prior to installing any products sold or manufactured by Thumper Fab, you will perform or cause to be performed an inspection of their vehicle to confirm its condition is suitable for the installation of these products. A proper inspection of the vehicle includes confirmation that the vehicle has not been in a collision and is free of corrosion. If the vehicle is suspected to have been in a collision or misused, or is otherwise unsuitable for modification, you will not install the product(s). You will continue to inspect the vehicle prior to each use to confirm its condition is suitable for its intended use, and you acknowledge that the failure to do so may result in serious bodily injury or death, as well as damage to the vehicle itself.

You will install any warning labels provided with the product so it may be prominently seen by yourself and all passengers. You will notify all passengers of the modifications performed to your vehicle prior to operation.

Insurance companies may handle coverage of a modified vehicle differently. Please check with your insurance carrier prior to modifying the vehicle to ensure your coverage remains sufficient.

Installation of this product(s) may void your vehicle warranty. If this is a concern, please check with the manufacturer or dealer before purchase or installation of this product(s).



THUMPER FAB

Thumper Fab

5103 Elysian Fields Rd, Marshall, TX 75672

Customer Service: 903-472-0928

www.thumperfab.com