



THUMPER FAB

Aluminum Audio Roofs • Roll Cages • UTV Accessories

Defender HD11 Hood Basket

SKU: TF001907



Thumper Fab

5103 Elysian Fields Rd, Marshall, TX 75672

Customer Service: 903-472-0928

www.thumperfab.com

Ver. 0426

Defender HD11 Hood Basket

SKU: TF001907



PARTS SPECIFIC TO (DEFENDER HD11, TF001907.W)

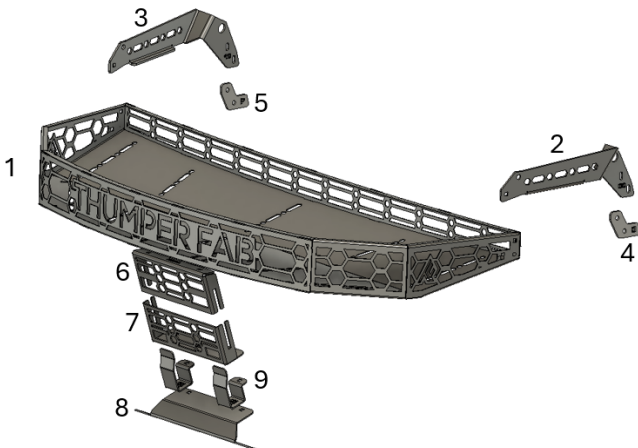
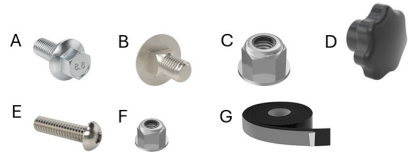
REF	QTY	DESCRIPTION
1	1	Hood Basket
2	1	Rear Mount Bracket - Driver
3	1	Rear Mount Bracket - Passenger
4	1	Roll Cage Bracket - Driver
5	1	Roll Cage Bracket - Passenger
6	1	Bumper Mount Inner Bracket
7	1	Bumper Mount Outer Bracket
8	1	TF Bumper Mount
9	2	OEM Bumper Mount
HARDWARE KIT FOR TF001907.W		
A	4	M8x20mm Flange Head Bolt
B	10	M8 Carriage Bolt
C	4	M8 Flange Nylon Lock Nut
D	6	Plastic Knobs
E	2	1/4" x 1" Button Head Screw
F	2	1/4" Flange Nylon Lock Nut

TOOLS

- 13mm Socket and Wrench
- 5/32" Allen Wrench
- 7/16" Wrench

Please Note:

Hardware and parts listed are specific for installation on a Defender HD11 TF001907.W



INSTALLATION INSTRUCTIONS

Installation Procedure (Defender HD11, OEM or Thumper Fab Bumper)

Insert the roll cage bracket into pocket of roll cage. If the vehicle has doors, the OEM striker bracket stays in place and the roll cage brackets are not used to mount the rear mount brackets (**FIG 1 & FIG 2**).



FIG 1 & FIG 2 - Insert Roll Cage Brackets into Roll Cage

Mount the rear mount brackets to the vehicle using 4 x M8x20mm flange head bolts. Loosley tighten using a 13mm socket (**FIG 3**).



FIG 3 - Mount Rear Mount Brackets using a 13mm Socket

INSTALLATION INSTRUCTIONS

Installation Procedure (Defender HD11, OEM Bumper)

IF INSTALLATION IS TAKING PLACE ON VEHICLE WITH AN OEM BUMPER. The OEM bumper mount brackets have “HD11” cut out of them. Apply foam to inside of brackets to prevent scratching of bull bar (FIG 4).

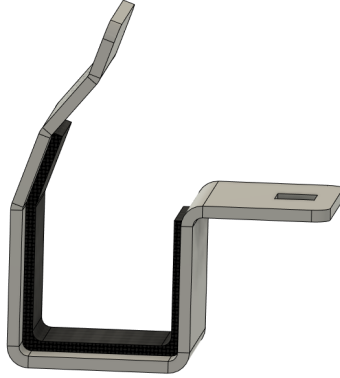


FIG 4 - Apply Foam to OEM Bumper Mount Brackets

Wrap the OEM bumper mounts around the bullbar and slot into the bumper mount outer bracket (FIG 5).



FIG 5 - Slot OEM Bumper Mounts into Bumper Mount Outer Bracket

INSTALLATION INSTRUCTIONS

Installation Procedure (Defender HD11, OEM Bumper)

Fasten OEM bumper mount brackets to bumper mount outer bracket using 2 x M8 carriage bolts and 2 x plastic knobs (**FIG 6**).

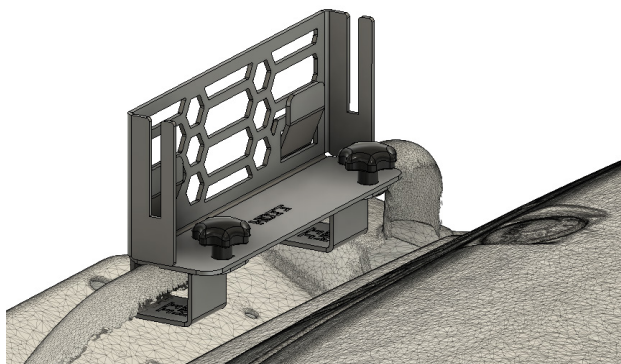


FIG 6 - Fasten OEM Bumper Mounts to Bumper Mount Outer Bracket

Fasten the bumper mount inner bracket to the bumper mount outer bracket using 2 x M8 carriage bolts and 2 x M8 flange nylon lock nut. Loosley fasten using a 13mm wrench (**FIG 7**).

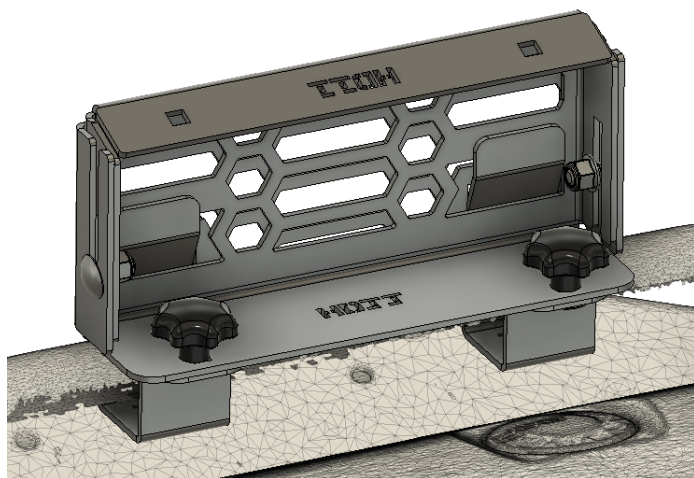


FIG 7 - Fasten Inner Mount Bracket to Outer Mount Bracket using a 13mm Wrench

INSTALLATION INSTRUCTIONS

Installation Procedure (Defender HD11, Thumper Fab Bumper)

IF INSTALLATION IS TAKING PLACE ON VEHICLE WITH A THUMPER FAB BUMPER. Use 2 x plastic knobs to hold 2 x M8 carriage bolts into the TF bumper mount (**FIG 8**).



FIG 8 - Use plastic knobs to hold carriage bolts to TF Bumper Mount

Fasten the TF bumper mount to the Thumper Fab bull bar using 2 x 1/4" x 1" button head screws and 2 x 1/4" flange nylon lock nut. Tighten using a 5/32" allen wrench and a 7/16" wrench (**FIG 9**).

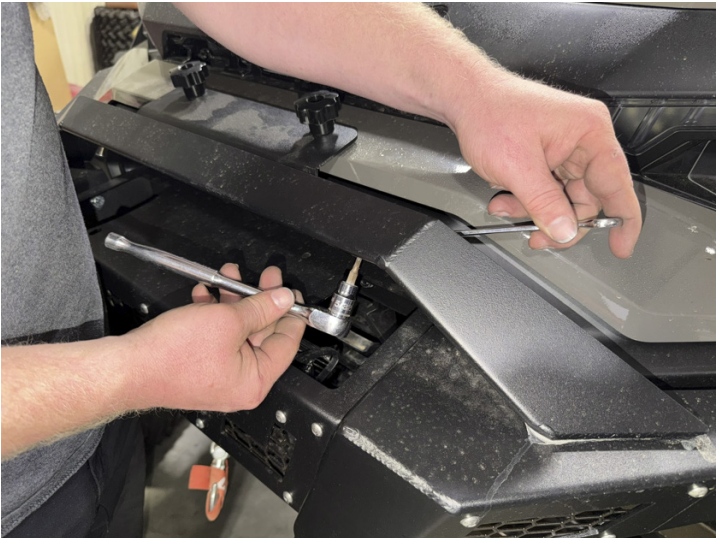


FIG 9 - Fasten TF Bumper Mount to Thumper Fab Bumper bull bar

INSTALLATION INSTRUCTIONS

Installation Procedure (Defender HD11, Thumper Fab Bumper)

Fasten the bumper mount inner bracket to the bumper mount outer bracket using 2 x M8 carriage bolts and 2 x M8 flange nylon lock nuts. Loosley tighten using a 13mm wrench (**FIG 10**).

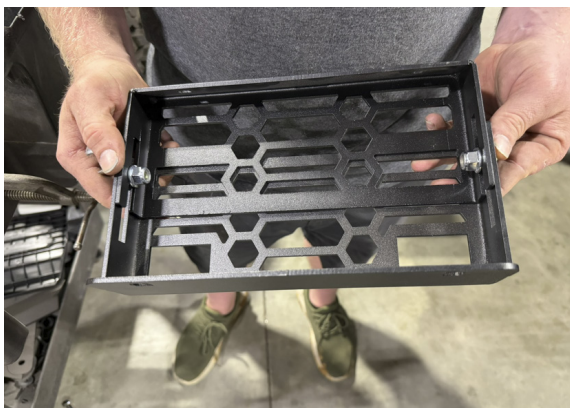


FIG 10 - Fasten the bumper inner and outer mount together loosley

Unthread the plastic knobs off the M8 carriage bolts and set the bumper mount bracket assembly down on the carriage bolts and fasten the assembly to the carriage bolts using 2 x M8 flange nylon lock nuts. Tighten using a 13mm socket (**FIG 11**).



FIG 11 - Fasten TF Bumper Mount to Bumper Mount Bracket assembly

INSTALLATION INSTRUCTIONS

Installation Procedure (Defender, OEM or Thumper Fab Bumper)

Place a blanket or towel over the hood of the vehicle to prevent scratching. Place the main basket in position and fasten the basket to the rear mount brackets using 4 x M8 carriage bolts and 4 plastic knobs (**FIG 12**).



FIG 12 - Fasten Main Basket to rear Mount Brackets

Mounting the main basket to the bumper mount inner bracket is the same whether installing the basket on a vehicle with a Thumper Fab bumper on an OEM bumper. Fasten main basket to the bumper mount inner bracket using 2 x M8 carriage bolts and 2 x plastic knobs. Fully tighten all fasteners and enjoy your Thumper Fab Hood Basket! (**FIG 13**).



FIG 13 - Fasten Main Basket to Bumper Mount Inner Bracket using plastic knobs

INSTALLATION INSTRUCTIONS

PRODUCT DISCLAIMER

The installation of products sold or manufactured by Thumper Fabrication, LLC (Thumper Fab) including, but not limited to suspension components such as lift kits, audio roofs, roll cages, frame stiffener kits, and tires that exceed the original specifications for the vehicle, may change the vehicle's center of gravity and handling characteristics both on- and off-road. You are aware that the installation of tires that are larger than original vehicle specifications may reduce the effectiveness of the braking system. Use of these products may place added stress to the original factory vehicle components which could cause them to weaken or possibly fail.

Products sold or manufactured by Thumper Fab are intended for off-road use only. Operation of a vehicle modified with these products on a road could result in serious bodily injury or death, and such operation may violate the laws of your state or municipality. You agree to operate your vehicle exclusively in the manner intended by the vehicle manufacturer. You agree that failure to safely and reasonably operate your vehicle could result in serious bodily injury or death, and that, as a result of installation of this product(s) to your vehicle, extreme care must be taken to prevent vehicle rollover or loss of control, which may be more likely to occur as a result of said modifications. You will avoid unsafe maneuvers, including sudden sharp turns or other abrupt maneuvers, which could make a vehicular accident more likely. You understand that Thumper Fab is not responsible or liable for any damages or any injuries to yourself or your passengers that could occur upon possible accidents due to driver error, incorrect installations, bad judgment, incompatibility with other aftermarket accessories or natural disasters to the fullest extent allowable by law. You will have all vehicle occupants fasten seatbelts, if equipped, and wear proper safety equipment, such as DOT approved helmet and eye protection prior to operating the vehicle. You understand and acknowledge that failure to wear proper safety equipment may increase the risk of serious bodily injury or death to yourself and any passengers.

Proper installation of products sold or manufactured by Thumper Fab requires knowledge of the factory recommended procedures for removal and installation of original equipment components. Installation of these products without proper knowledge and experience may affect the performance of these components and the safety of the vehicle and cause serious bodily injury or death. It is strongly recommended that a certified mechanic familiar with the installation of similar components perform the product(s) installation.

Prior to installing any products sold or manufactured by Thumper Fab, you will perform or cause to be performed an inspection of their vehicle to confirm its condition is suitable for the installation of these products. A proper inspection of the vehicle includes confirmation that the vehicle has not been in a collision and is free of corrosion. If the vehicle is suspected to have been in a collision or misused, or is otherwise unsuitable for modification, you will not install the product(s). You will continue to inspect the vehicle prior to each use to confirm its condition is suitable for its intended use, and you acknowledge that the failure to do so may result in serious bodily injury or death, as well as damage to the vehicle itself.

You will install any warning labels provided with the product so it may be prominently seen by yourself and all passengers. You will notify all passengers of the modifications performed to your vehicle prior to operation.

Insurance companies may handle coverage of a modified vehicle differently. Please check with your insurance carrier prior to modifying the vehicle to ensure your coverage remains sufficient. Installation of this product(s) may void your vehicle warranty. If this is a concern, please check with the manufacturer or dealer before purchase or installation of this product(s).



THUMPER FAB

Thumper Fab

5103 Elysian Fields Rd, Marshall, TX 75672

Customer Service: 903-472-0928

www.thumperfab.com