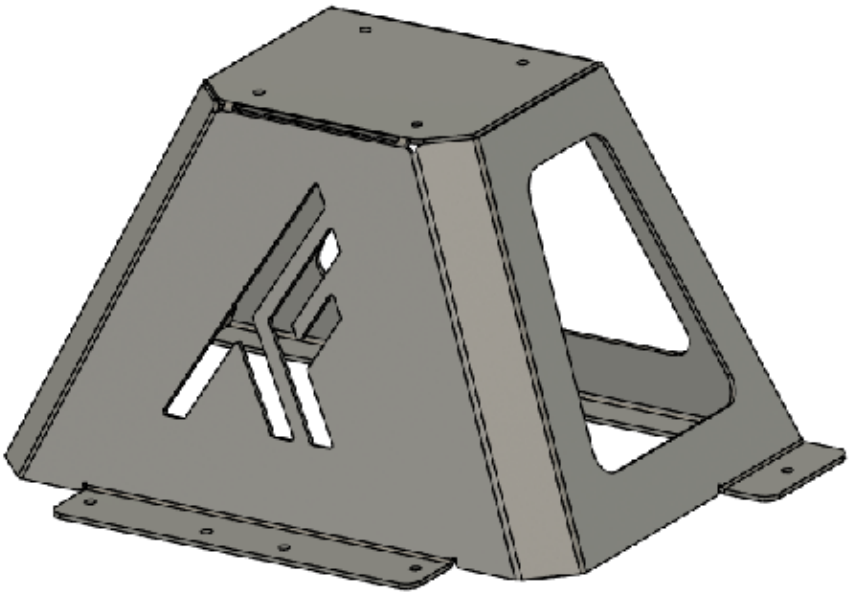


THermal CAMERA MOUNT

SKU: TF000912



Thumper Fab

5103 Elysian Fields Rd, Marshall, Tx 75672

Customer Service: 903-472-0928

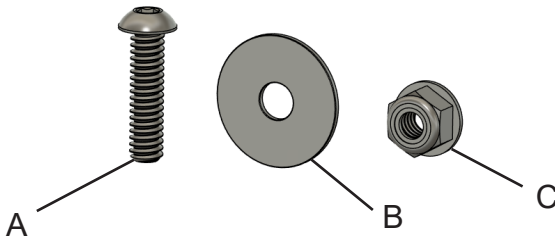
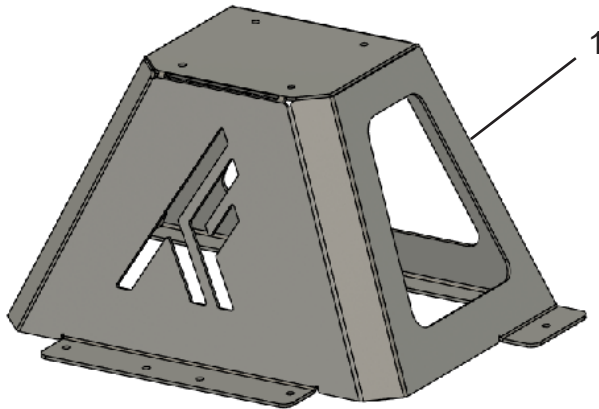
THERMAL CAMERA MOUNT

SKU: TF000912



PARTS

REF	QTY	DESCRIPTION
1	1	THERMAL CAMERA MOUNT
HARDWARE		
A	6	1/4"-20 x .750" Button Head Screws
B	6	1/4" Washer
C	6	1/4"-20 Flanged Locknut



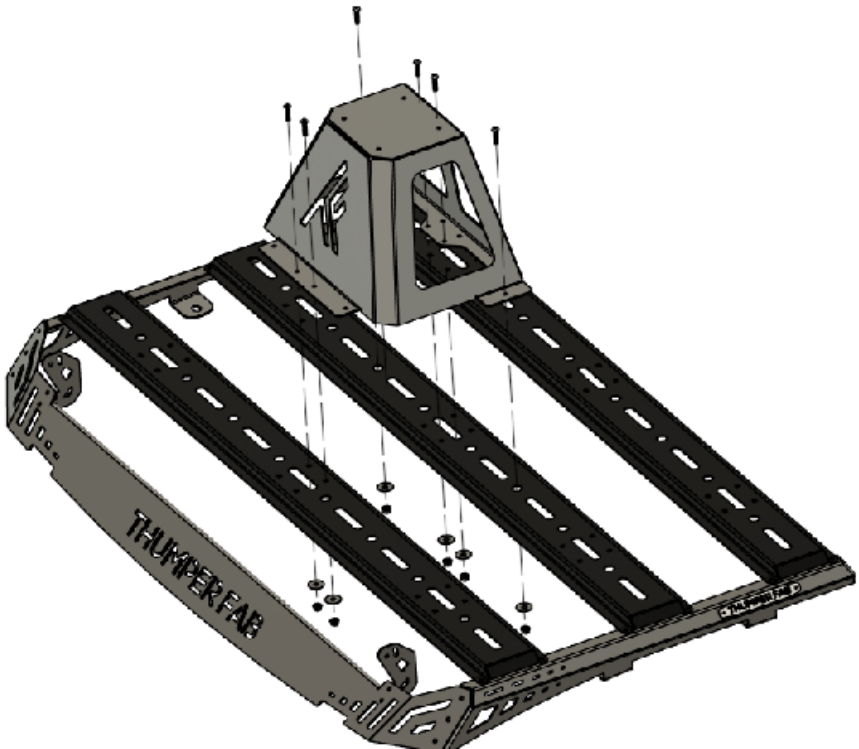
BEFORE YOU BEGIN

If you do not feel comfortable installing your **Thumper Fab** INSERT PRODUCT, please see your nearest INSERT BRAND® Dealer for

INSTALLATION INSTRUCTIONS

Step 1

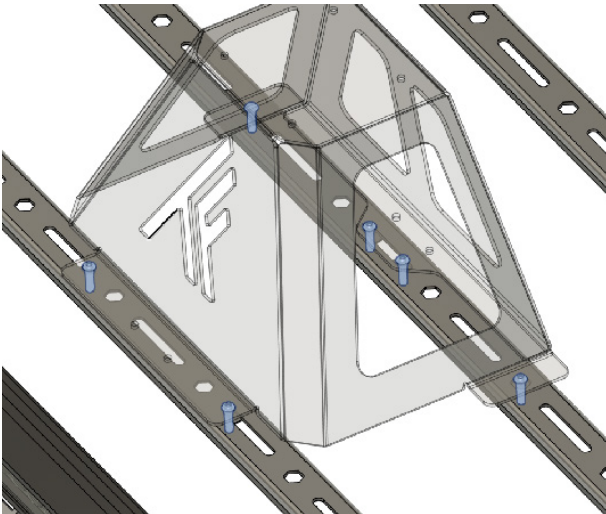
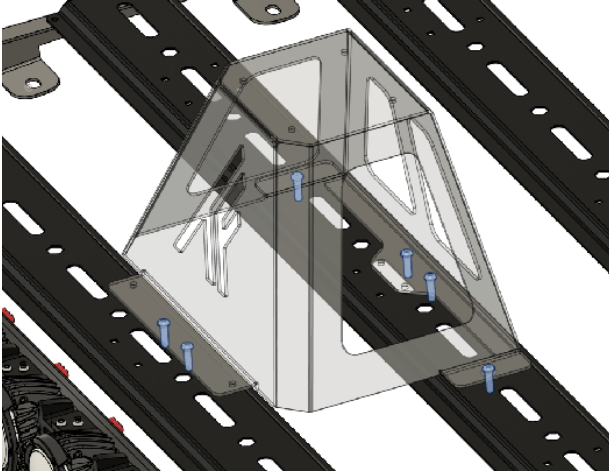
Place the mount on top of the cross beams on the roof rack and align the mount holes.



INSTALLATION INSTRUCTIONS

Step 2

Depending on what roof rack/cross beams you have will dictate placement of hardware. See Fig 1 & 2 below for proper placement of 1/4"-20 Button Head Screws



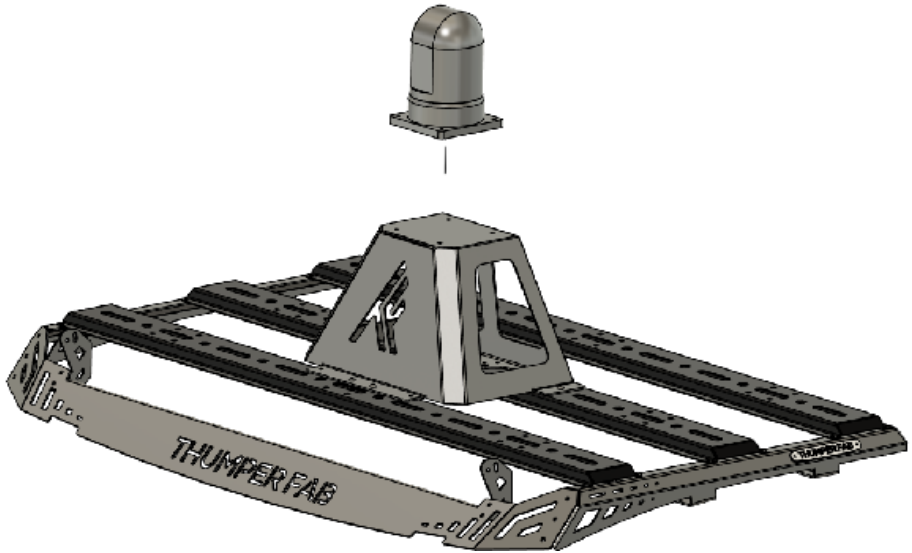
Step 3

Place washers on the under-side of the cross beams and then fasten and tighten with the flanged locknuts.

INSTALLATION INSTRUCTIONS

Step 4

Next, place the thermal camera on top of the camera mount and fasten with its provided hardware. This step can be done prior to placing the camera mount on the roof rack, if that is preferred.



Step 5

Next, route all wiring neatly into the cab and to the powersource. Use the instructions for the camera as reference for this process.



THUMPER FAB

Thumper Fab

5103 Elysian Fields Rd, Marshall, Tx 75672

Customer Service: 903-472-0928

www.thumperfab.com