

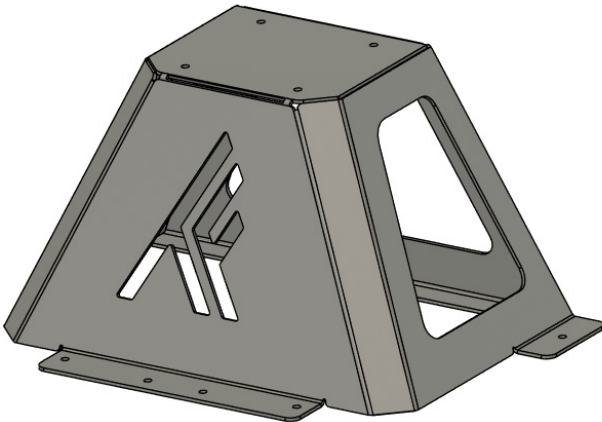
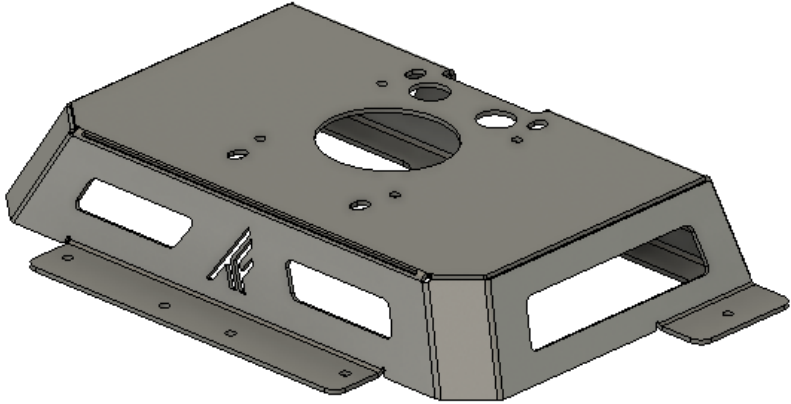


# THUMPER FAB

Aluminum Audio Roofs • Roll Cages • UTV Accessories

## THERMAL CAMERA MOUNT

SKU: TF000912 & TF000913



### Thumper Fab

5103 Elysian Fields Rd, Marshall, Tx 75672

Customer Service: 903-472-0928

[www.thumperfab.com](http://www.thumperfab.com)

Ver. 0626

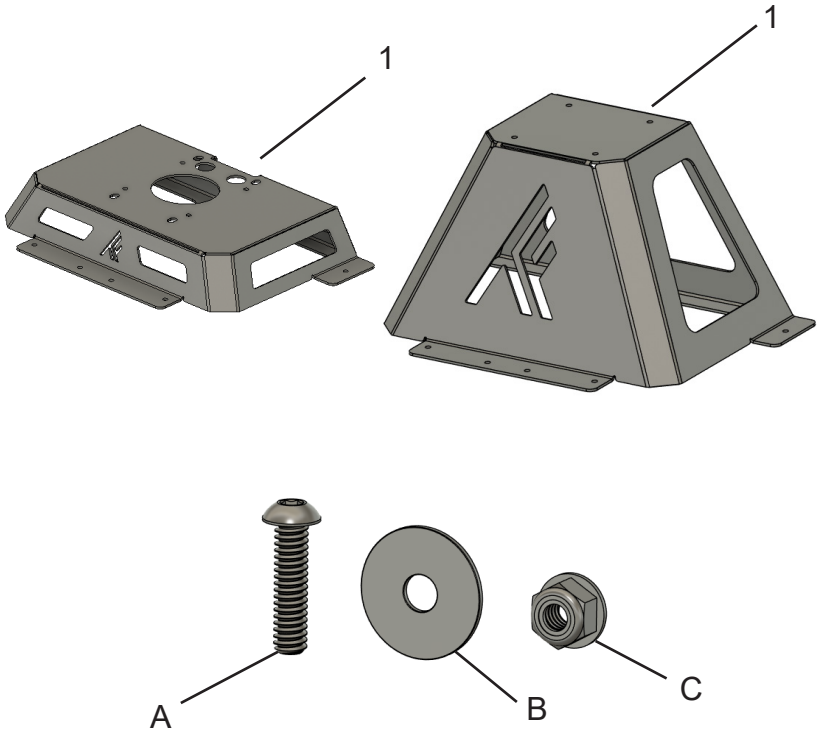
# THERMAL CAMERA MOUNT

SKU: TF000912



## PARTS

REF	QTY	DESCRIPTION
1	1	THERMAL CAMERA MOUNT Tall or Short
<b>HARDWARE</b>		
A	6	1/4"-20 x .750" Button Head Screws
B	6	1/4" Washer
C	6	1/4"-20 Flanged Locknut



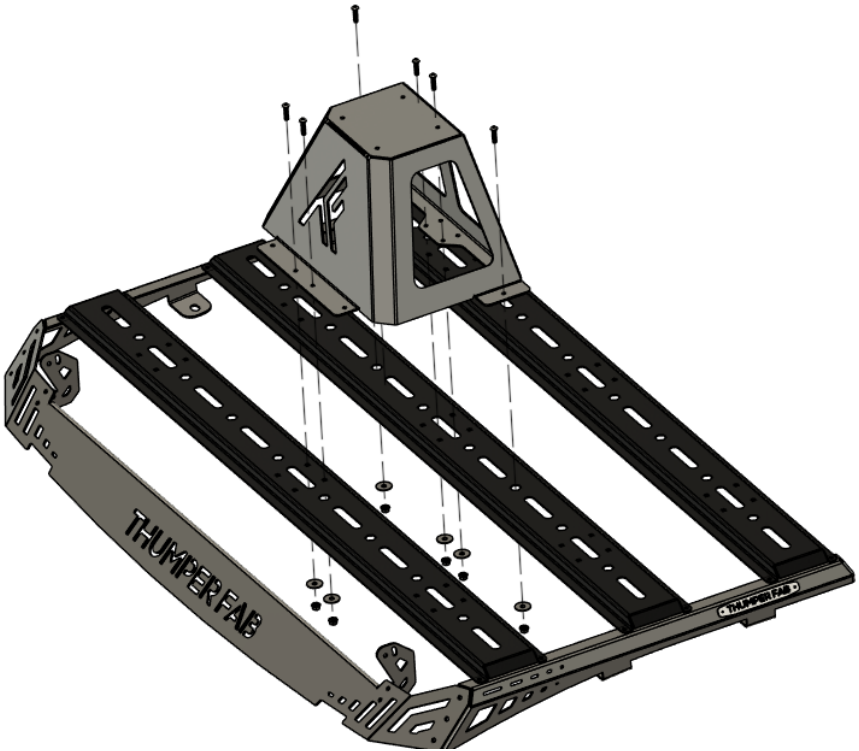
### BEFORE YOU BEGIN

If you do not feel comfortable installing your **Thumper Fab** INSERT PRODUCT, please see your nearest INSERT BRAND® Dealer for

# INSTALLATION INSTRUCTIONS

## Step 1

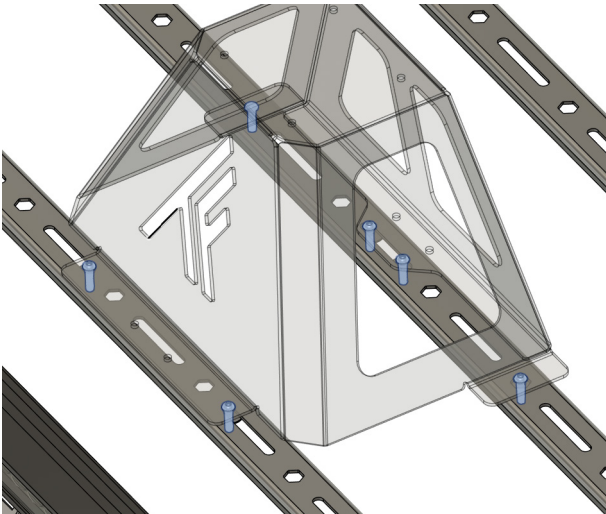
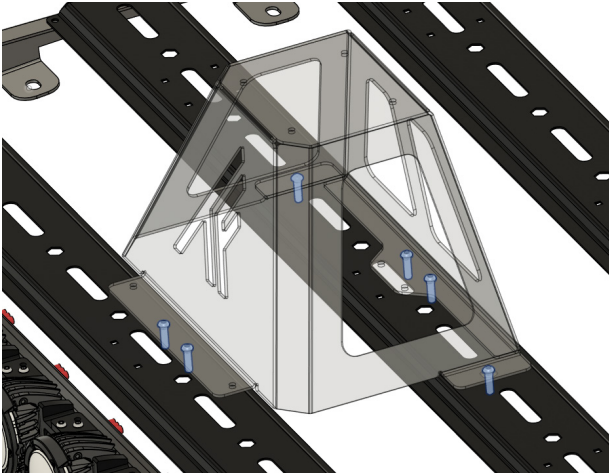
Installation process is the same whether you are mounting the tall or short version of the thermal camera mount. Place the mount on top of the cross beams on the roof rack and align the mount holes.



# INSTALLATION INSTRUCTIONS

## Step 2

Depending on what roof rack/cross beams you have will dictate placement of hardware. See Fig 1 & 2 below for proper placement of 1/4"-20 Button Head Screws



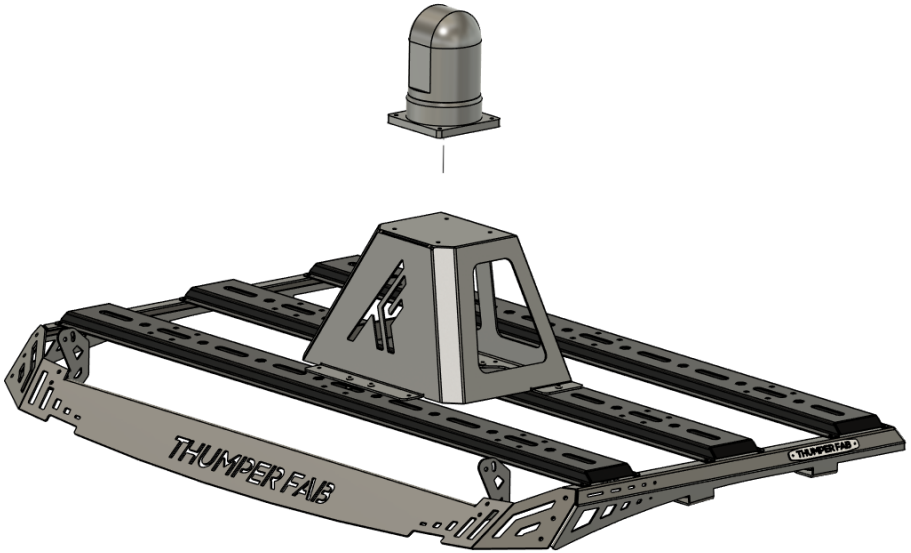
## Step 3

Place washers on the under-side of the cross beams and then fasten and tighten with the flanged locknuts.

## INSTALLATION INSTRUCTIONS

### Step 4

Next, place the thermal camera on top of the camera mount and fasten with its provided hardware. This step can be done prior to placing the camera mount on the roof rack, if that is preferred.



### Step 5

Next, route all wiring neatly into the cab and to the powersource. Use the instructions for the camera as reference for this process.



**THUMPER FAB**

**Thumper Fab**

5103 Elysian Fields Rd, Marshall, Tx 75672

Customer Service: 903-472-0928

[www.thumperfab.com](http://www.thumperfab.com)