

# Wiring Instructions

1. Connect wiring harness to pulse bar on Ranger, route through firewall, and connect to LEDs.

2. Install dash mount rocker switch and connect harness as labeled:

A-black  
B-white  
C-blue



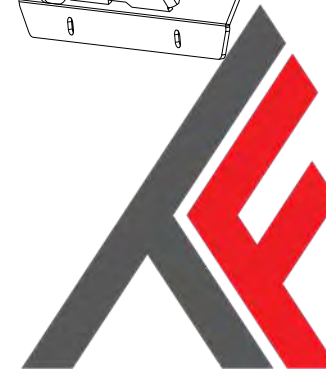
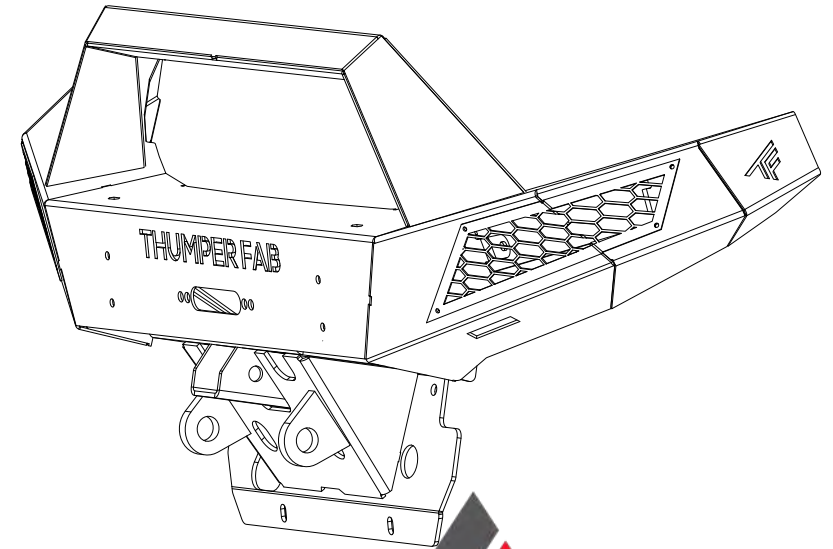
**Thumper Fab**  
5103 Elysian Fields Rd. Marshall, TX 75672  
Customer Service: 903-472-0928  
[www.thumperfab.com](http://www.thumperfab.com)

Ver 0122

# Polaris Ranger 1000 Front Bumper

2018+ Polaris Ranger 1000

P/N :TF010501-X



# THUMPER FAB

Aluminum Audio Roofs ▲ Bumpers & Roll Cages ▲ UTV Accessories

**Thumper Fab**  
5103 Elysian Fields Rd. Marshall, TX 75672  
Customer Service: 903-472-0928  
[www.thumperfab.com](http://www.thumperfab.com)

Ver 0122

# Polaris Ranger 1000

2018+ Polaris Ranger 1000

P/N : TF010501-X



## PARTS

REF	QTY	PART DESCRIPTION
1	4	5/16"-18 x 1" Button Head Screws
2	4	5/16"-18 Nylon Lock Nuts
3	8	5/16"-18 Flat Washers
4	8	#8-32 x 1/2" Cap Screws
5	8	#8-32 Nylon Lock Nuts
6	2	M10-1.5 x 25mm Hex Flange Bolts
7	4	M10-1.5 x 35mm Hex Flange Bolts
8	4	M10-1.5 Hex Flange Nuts



**STOP** **BEFORE YOU BEGIN**  
If you do not feel comfortable installing your Thumper Fab product, please see your nearest Polaris Dealer for installation

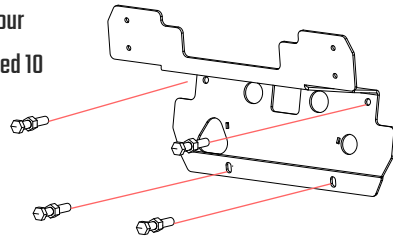
## TOOLS REQUIRED

- 15mm Socket
- 1/2" Socket
- 11/32" or 9mm Socket
- 9/64" Hex Driver
- 3/16" Hex Driver

## INSTALLATION INSTRUCTIONS

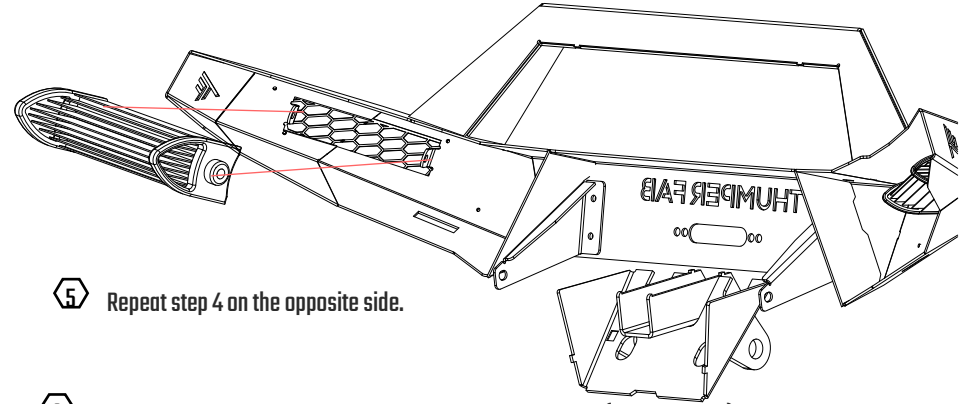
*(IF YOU ARE INSTALLING THE OPTIONAL LIGHT KIT, IT IS BEST TO MOUNT THE LIGHTS PRIOR TO BUMPER INSTALLATION.)*

- 1 Remove bolts from the front stock Ranger bumper, and remove bumper.
- 2 Remove Plastic Grill and cut out section marked in red in the figure to the right. Replace Grill.
- 3 Mount the base plate to the Ranger Chassis with 4 of the original bolts, then tighten with sufficient torque. If your model does not have all needed hardware, use included 10 mm hardware.

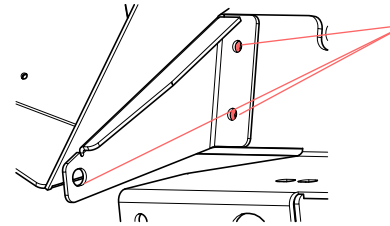


## INSTALLATION INSTRUCTIONS

- 4 Mount lights to bumper using the hardware included in the light kit. Run the wire harness to a empty slot on the power bar under the hood. Refer to back page for wiring instructions.



- 5 Repeat step 4 on the opposite side.
- 6 Mount your Thumper Fab Bumper. The holes facing forward (marked in red) use supplied 5/16" hardware. The holes facing the side use two of the stock bolts that you should have remaining from removing the stock bumper.



Leave these screws loose until bumper is fully mounted then tighten firmly

