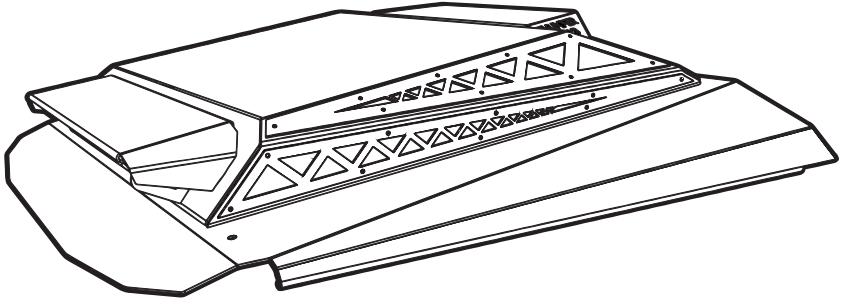


RZR 900/1000/TURBO 2-SEAT AUDIO ROOF & LED LIGHT SYSTEM

P/N: TF020301, TF020302



THUMPER FAB

Aluminum Audio Roofs ♦ Bumpers & Roll Cages ♦ UTV Accessories

Thumper Fab

5103 Elysian Fields Rd, Marshall, Tx 75672

Customer Service: 903-472-0928

www.thumperfab.com

RZR 900/1000/TURBO 2-SEAT

AUDIO ROOF & LED LIGHT SYSTEM



THUMPER FAB

P/N: TF020301, TF020302

FEATURES

- Rockford PMX-0 Bluetooth Receiver
- Rockford Prime 6" x 9" 3-way speakers (4)
- Rockford Prime R2 10" Subwoofer
- Rockford Punch PBR300X4 400 watt Amp
- Rockford Punch PBR300X1 300 watt Amp
- 20" Quad Row Front LED Light Bar
- 6" Rear LED Light Bar
- RGB LED Bluetooth Rock Lights (3)
- 4-button Control Panel
- 2 Year Warranty

TOOLS REQUIRED

- Safety Glasses
- 1/2" Combination Wrench

PARTS

REF	QTY	PART DESCRIPTION
1	4	1-inch Foam Tape
2	4	5/16" x 1.5 Bolt
3	2	5/16" Flat Washer
4	1	60 Amp Automatic Reset Circuit Breaker

BEFORE YOU BEGIN

If you do not feel comfortable installing your Thumper Fab audio roof, please see your nearest Polaris® Dealer for installation.

INSTALLATION INSTRUCTIONS

1. Install **1" foam tape** on front, rear, and side edges of vehicle ROPS* as shown. Cut tape to cover areas shown. (FIG. 1.)

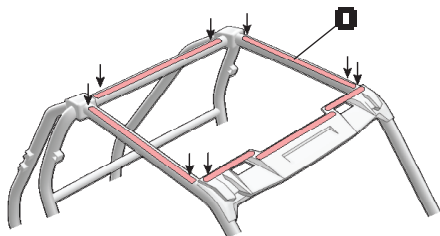


FIG. 1

2. Remove specified stock bolts from the front of vehicle ROPS* making sure to leave the U-Nuts in place. These bolts are to be replaced by included **5/16" x 1.5 bolts**. (FIG. 2)

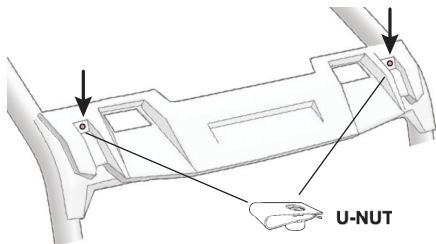


FIG. 2

3. Position the Thumper Fab audio roof on the ROPS* making sure the it sits on the **1" foam tape** from step 1. (FIG. 3)

4. Loosely install the two included front **5/16" x 1.5 bolts** to front mounting holes of roof as shown. Make sure the original U-Nut is still in place. (FIG. 3)

5. Install included **5/16" x 1.5 bolts & 5/16" flat washers** to rear mounting holes as shown. You may now tighten all four bolts. (FIG. 3)

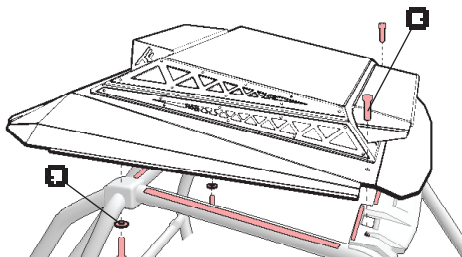


FIG. 3

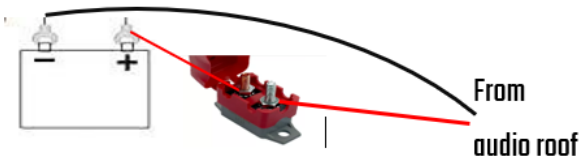
6. Lift seat and disconnect black negative (-) and red positive (+) cable from battery.

*Rollover Protection Structure

INSTALLATION INSTRUCTIONS - Continued

7. Run power supply cord from audio roof to the included **60 Amp Automatic Reset Circuit Breaker**, then connect fuse battery terminal.

8. You may now tighten all hardware. Torque hardware to 10 ft*lbs.



CONNECTION INSTRUCTIONS FOR AUDIO ROOF

The Lotus Lantern App allows you to interact, customize and control your RGB LED light. Using bluetooth wireless technology, you can change the colors and brightness of your RGB LED light all from your smart phone. Additionally you can take advantage of the schedule, music to light sync, shake to random colors and other features that are continuously introduced. ***NOTE: Before installation of this app, Lotus Lantern, please check with your phone or device and make sure the operating system is Android 4.3 or iOS 9.0 and above.** Remote control range is ~ 10 meters.

Download and install “Lotus Lantern” from the Apple Store or Google Play Store, or you can scan the QR code below - Once installed, turn on your phones bluetooth function and open the ‘Lotus Lantern’ App.



**LET THE
THUMPIN' BEGIN!**



THUMPER FAB

Thumper Fab

5103 Elysian Fields Rd, Marshall, Tx 75672

Customer Service: 903-472-0928

www.thumperfab.com