

THUMPER FAB

Aluminum Audio Roofs - Bumpers & Roll Cages - UTV Accessories

Mighty Tite US Pat. No. 7,959,389

P/N: TF001901



Thumper Fab

5103 Elysian Fields Rd, Marshall, Tx 75672

Customer Service: 903-472-0928

www.thumperfab.com

INSTALLATION

Tools

- 2x 9/16" Socket/Wrenches
- 1/2" Socket/Wrench
- Impact Driver
- 3/8" Drill Bit
- Measuring Tape
- 15/16" Wrench/Pliers

Hardware

Ref	Description	Quantity
A	Rear Latch Assembly	1
B	Front Mount Plate	2
C	Front Wheel Base	2
D	Vertical Plate	2
E	T-Bar	2
F	Wheel Brace	2
G	Rear Mount Plate	1
H	Tie-Down Chain	1
I	5/16"-18 x 2-1/4" Carriage Bolt	4
J	5/16" Flat Washer	4
K	5/16"-18 Nyloc Jam Nut	4
L	3/8"-16 x 2-1/2" Carriage Bolt	12
M	3/8"-16 x 3/4" Carriage Bolt	8
N	3/8" Flat Washer	20
O	3/8"-16 Nyloc Nut	12
P	3/8"-16 Nyloc Jam Nut	8

Assemble the Wheel Cages

Use the 3/8"-16 x 3/4" **Ref M** carriage bolts to fasten the vertical plate **Ref D** and wheel brace **Ref F** to the front wheel base **Ref C**, making sure that the bolt head inserts into the the square cut-outs, as shown in **Figure 1**. Use the 5/16"-18 x 2-1/4" **Ref I** bolt to connect the wheel brace **Ref F** and t-bar **Ref E** to the vertical plate **Ref D**, as shown in **Figure 2**. Adjust the t-bar **Ref E** so that the front wheel makes contact with the vertical plate **Ref D**, as shown in **Figure 3**.

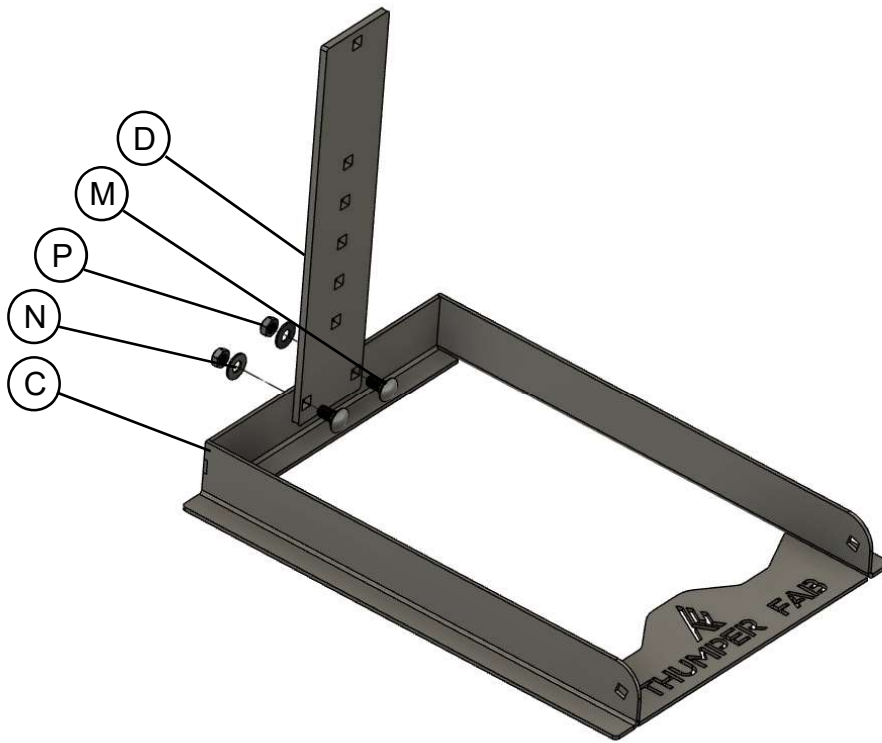


Figure 1

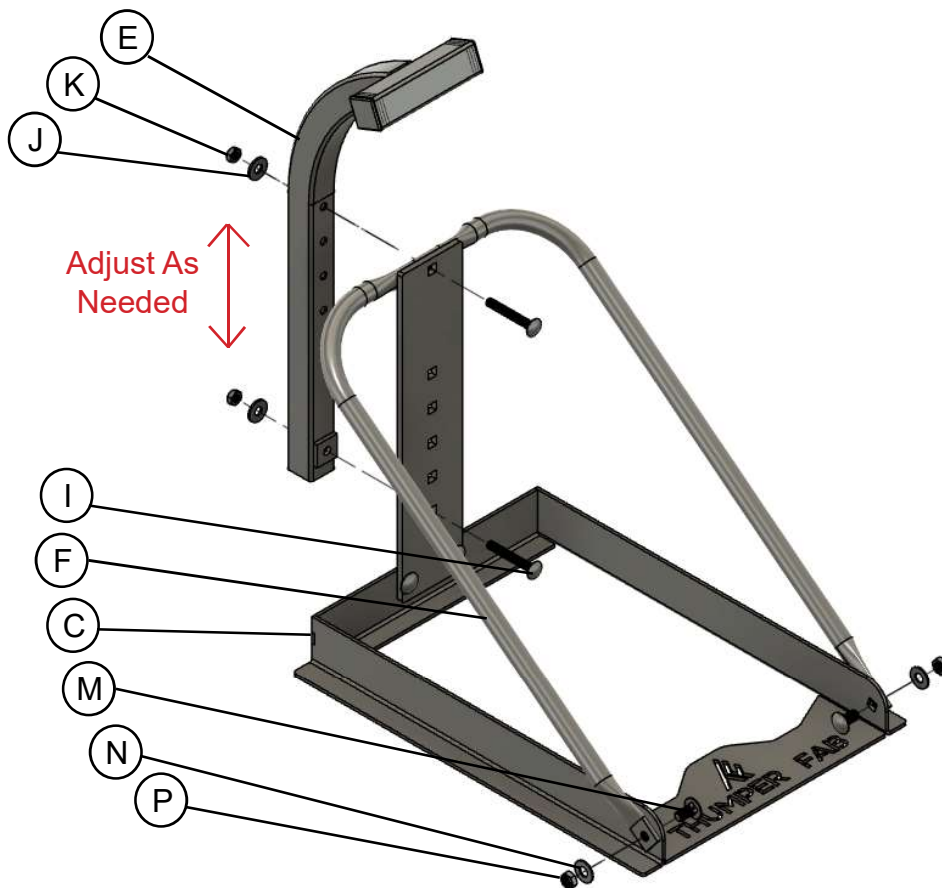


Figure 2

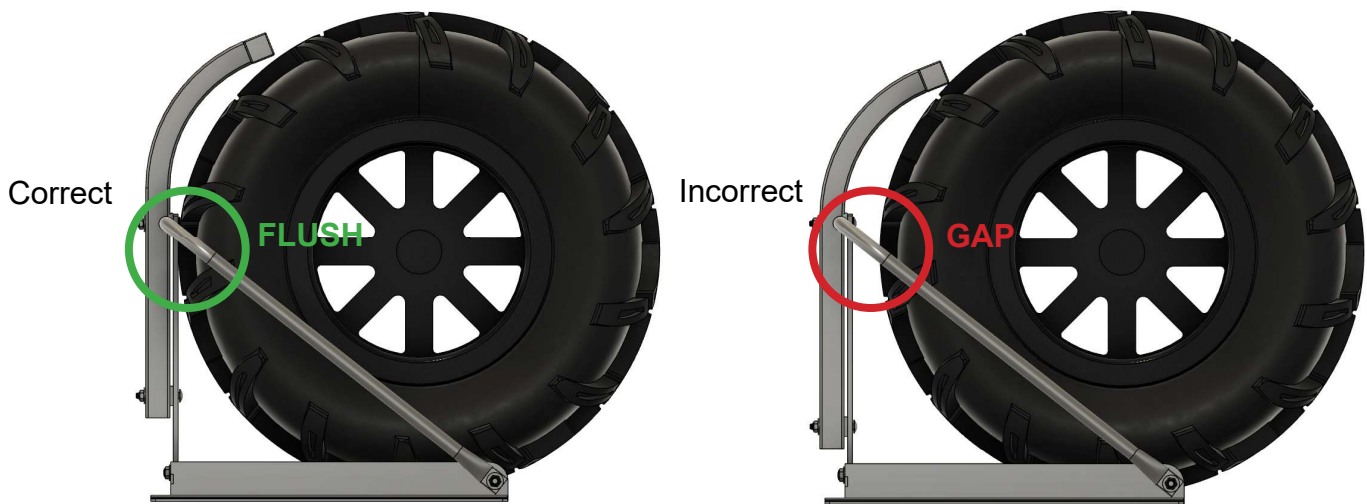


Figure 3

Measure & Drill Front Mount Plates

Place the front mount plates **Ref G** in front of the tires on the unit and measure how far apart the plates will be spaced. Note measurements, then position the mount plates **Ref G** on the trailer and check that there is enough space in the back of the trailer to mount the rear latch **Ref A**. When the mount plates **Ref G** are correctly positioned, mark where the bolts will need to go through the trailer and drill the holes, as shown in **Figure 4**.

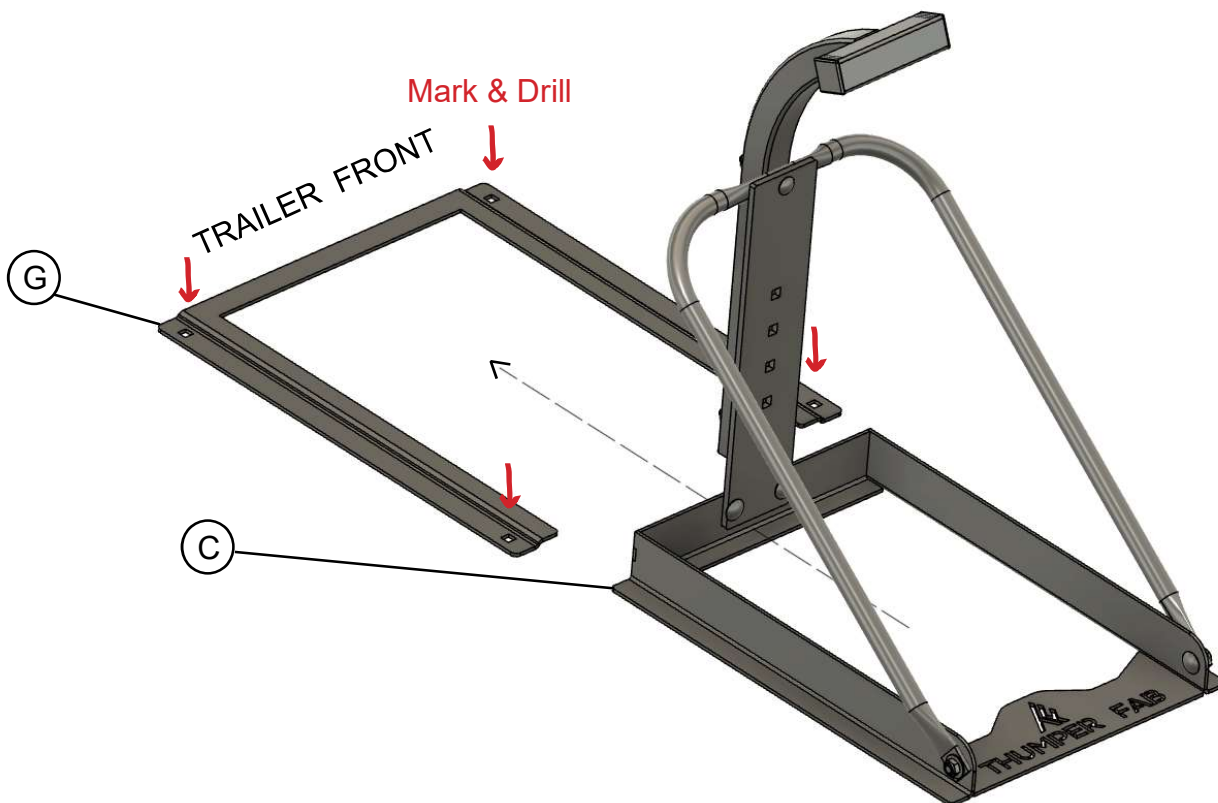


Figure 4

Attach Tie Down Chain

Thread the tie down chain **Ref H** into the rear latch assembly **Ref A**. Then use a 15/16" wrench or pliers to tighten down the jam nut, as shown in **Figure 5**.



Figure 5

Tighten Down the Mount Plates

Use the 3/8"-16 x 2-1/2" bolts **Ref L** to fasten the front mount plates **Ref G** to the trailer bed, making sure not to over tighten so that the wheel cage can be easily removed.

Measure & Drill Rear Mount Plate

Drive the unit onto the trailer so that the front wheels are fully seated in the wheel cages. If needed, install the trailer hitch adapter on the unit. Place the latch assembly **Ref A**, as shown in **Figure 7**, so that it is roughly 3" in front of the trailer hitch. Mark where the bolts will need to go through the trailer and drill, as shown in **Figure 6**.

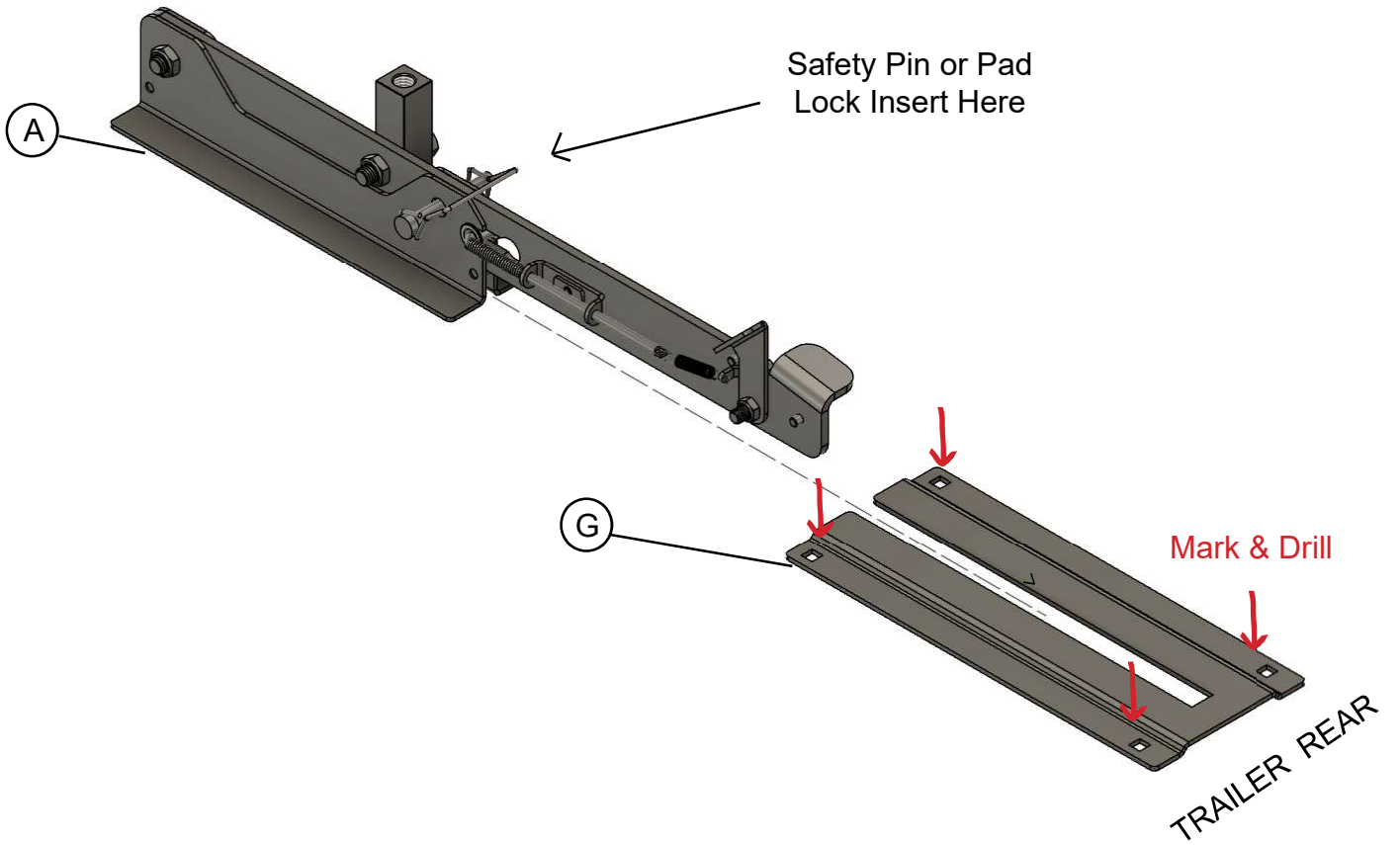


Figure 6



Figure 7

Tighten Down the Rear Mount Plate

Use the 3/8"-16 x 2-1/2" bolts **Ref L** to fasten the rear mount plate **Ref G** to the trailer bed, making sure not to over tighten so that the latch assembly can be easily removed.

Tie Down the Unit

Drive the unit onto the trailer so that the front wheels are fully seated in the wheel cages. Lift the latch arm and attach the chain to the unit hitch. Push down on the latch arm until it locks into place. Make sure that the chain is not loose and readjust as needed.

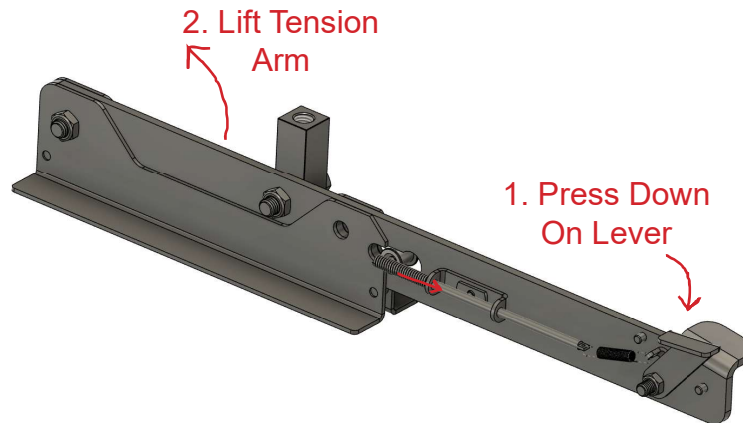


Figure 8

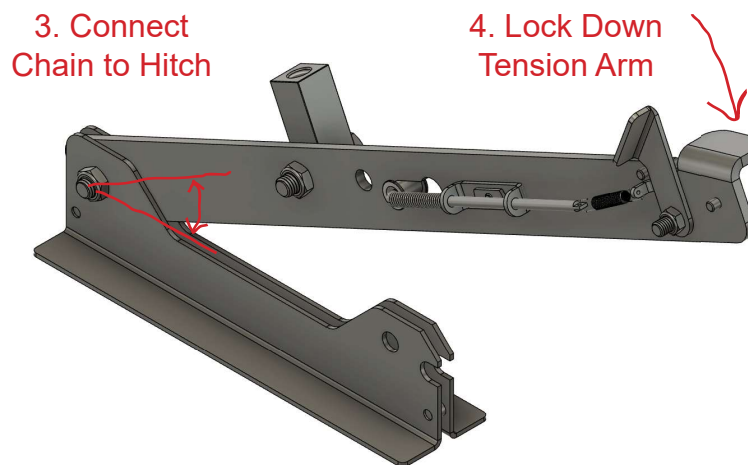


Figure 9



For Additional help with installation, checkout out our
YouTube channel or send us an email to
support@thumperfab.com

5103 Elysian Fields Rd, Marshall, Tx 75672
Customer Service: 903-472-0928