

CAN-AM DEFENDER & DEFENDER MAX AUDIO ROOF & LED LIGHT SYSTEM

P/N: TF040301 - TF040310



THUMPER FAB

Aluminum Audio Roofs ♦ Bumpers & Roll Cages ♦ UTV Accessories

Thumper Fab

5103 Elysian Fields Rd, Marshall, Tx 75672

Customer Service: 903-472-0928

www.thumperfab.com

CAN-AM DEFENDER & DEFENDER MAX AUDIO ROOF & LED LIGHT SYSTEM



THUMPER FAB

P/N: TF040301 - TF040310

PARTS

| REF | QTY | PART DESCRIPTION |
|-----|--------|---|
| 1 | 6 (2*) | 3/8" Standoff Bushings |
| 2 | 2 | 5/16" Bonded Washers |
| 3 | 4 (2*) | 5/16" Flat Washers |
| 4 | 4 (2*) | 5/16" Nuts |
| 5 | 2 | 5/16" x 2" Bolts |
| 6 | 1 | Tube Clamp Kit (includes 1 pair, plus hardware) |
| 7 | 1 (1*) | Power Cable (attached to roof) |

*Hardware Quantities for single cab Defender)

TOOLS

- 5/16" Drill Bit & Drill
- 1/2", 5/16", & 3/8" Socket
- 8/32" Hex Wrench

INSTALLATION INSTRUCTIONS

1. Install **FOAM MOUNTING TAPE** from hardware kit on side of frame as shown in red in the diagram below.
2. Remove **(4) STOCK BOLTS** and **(4) NUTS** from rear L & R sides of vehicle frame. Retain for later use.
3. *(Skip this step for single cab)* Install **TUBE CLAMPS** (pictured below in blue) from kit onto the middle bar on vehicle roll cage. Refer to documentation in box and diagram below for assembly.
4. With at least one person assisting you, lift the **AUDIO ROOF** into place over your Defender and slowly set it onto vehicle.
5. Align pre-attached **STANDOFFS/THREADED BOLTS** on front/underside of **AUDIO ROOF** with stock holes on vehicle frame. Loosely secure with **FLAT WASHERS** and **NUTS** on each side.

(AUDIO ROOF → STANDOFF / THREADED BOLT → VEHICLE CAGE → FLAT WASHER → NUT)

6. Align middle holes on **AUDIO ROOF** with **TUBE CLAMP** mounting holes from **STEP 3**. Stack **(2) STANDOFFS** on each side between **AUDIO ROOF** and **TUBE CLAMPS**.

7. Insert **2" BOLTS** with **BONDED WASHERS** through **AUDIO ROOF** and **STANDOFF STACKS**. Loosely secure with **FLAT WASHERS** and **NUTS**.

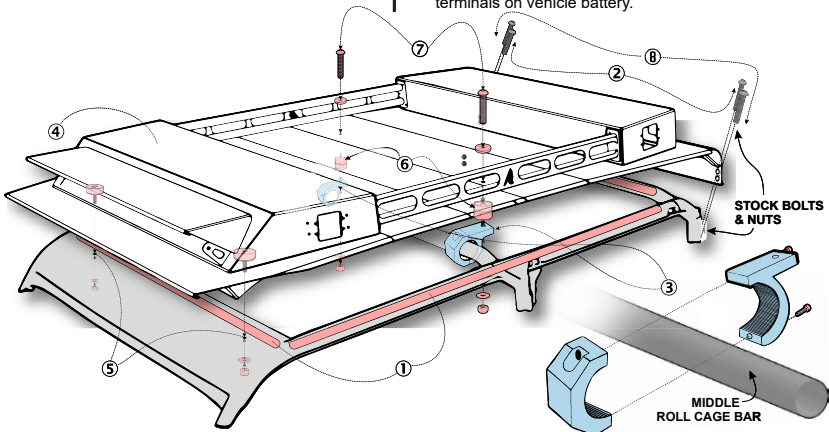
(2-INCH-BOLT → BONDED WASHER → AUDIO ROOF → STANDOFF → STANDOFF → VEHICLE CAGE → FLAT WASHER → NUT)

8. Using **STOCK BOLTS / NUTS** from **STEP 2**, secure rear of **AUDIO ROOF** to vehicle frame.

9. You may now **TIGHTEN ALL HARDWARE**.

**TORQUE STANDOFF
HARDWARE TO 10 FT-LBS**

10. Run **POWER CABLE** from **AUDIO ROOF** to (+) and (-) terminals on vehicle battery.



To watch installation video, go to www.thumperfab.com

INSTALLATION INSTRUCTIONS

OPERATION

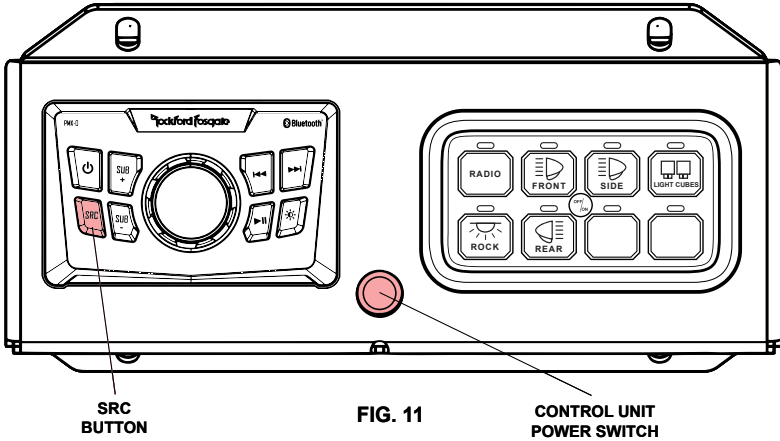
1. Turn on power to Control Unit (front, center of underside of roof). (FIG. 11)
2. Install mobile app to connect via Bluetooth® to 8-panel Control Switch using QR code, or visit <http://download.appglobalmarket.com/happylightingdownload.html>
3. To pair your device to the Rockford Fosgate® PMX-0 media receiver, you will need to press "SRC" button on unit until you hear "Bluetooth Mode". (FIG. 11)



L2 & L3 Roofs use PMX - 0

L4 Roofs use PMX-2

L5 Roofs = PMX-3



4. Turn on lights & music and...

LET THE THUMPIN' BEGIN

Thumper Fab

5103 Elysian Fields Rd, Marshall, Tx 75672
Customer Service: 903-472-0928

To watch installation video, go to www.thumperfab.com



THUMPER **FAB**

Aluminum Audio Roofs ♦ Bumpers & Roll Cages ♦ UTV Accessories

Thumper Fab

5103 Elysian Fields Rd, Marshall, Tx 75672

Customer Service: 903-472-0928

www.thumperfab.com