

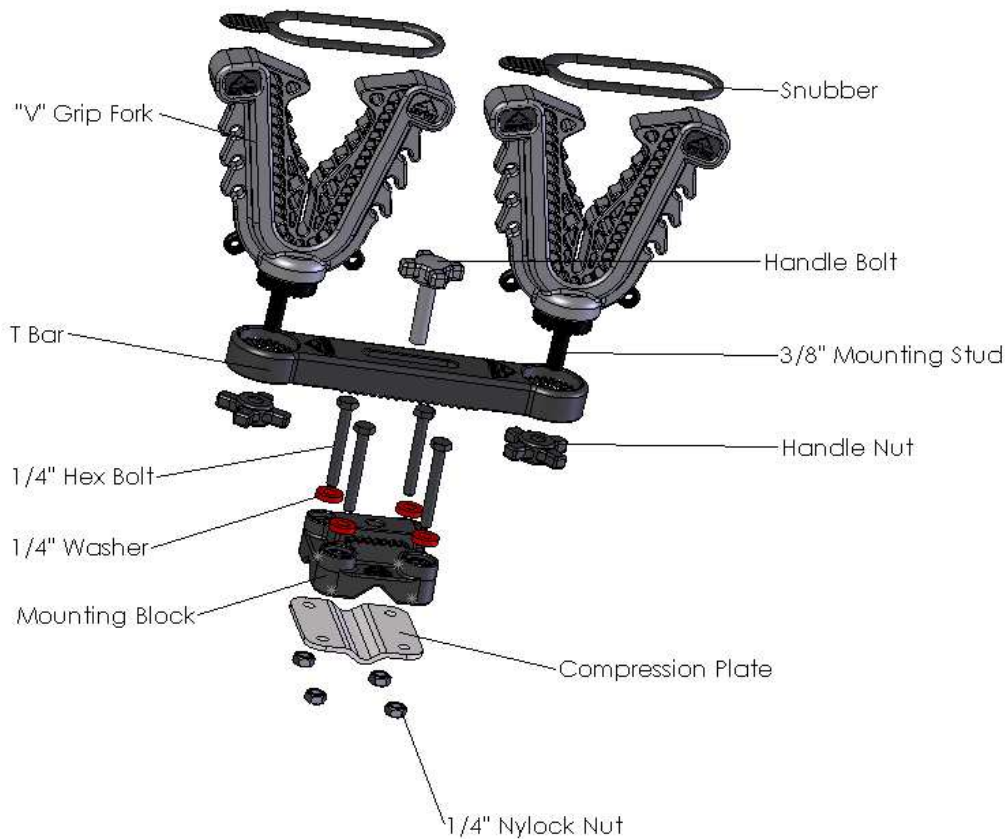
**IMPORTANT** Read these instructions before installing and using this product.



Failure to follow the instructions and safety precautions in this manual can result in serious injury or death.

Keep these instructions in a safe location for future reference

### "V" Grip Double



**Tools Needed:** 2- 7/16" wrenches

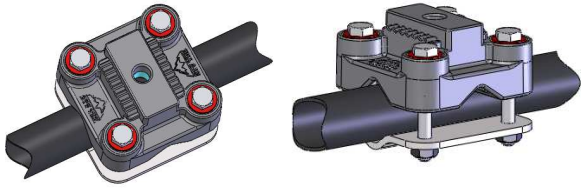
### Mounting Instructions:



1. Determine where on the front or rear rack of the ATV you want to mount the racks. Next we recommend placing the Forks on the gun, bow or other item you intend to carry in the rack. This will help you determine how far apart to space the racks on your ATV.

For Guns the racks should be usually be spaced about 18" to 22" inches apart and be placed on the gun at the pistol grip area and fore-end area.

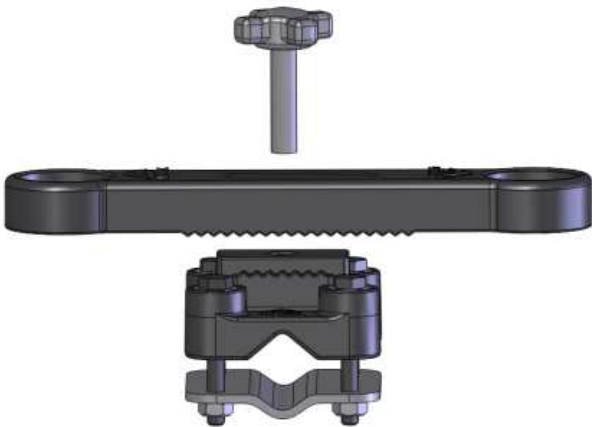
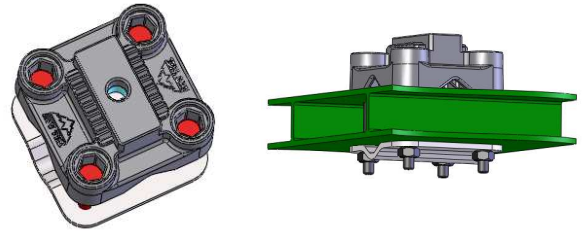
For bows the limbs should be placed in the bow limb slot as close to the riser as possible



2. The **Smart Fit** mounting blocks have 2 mounting position options. Choose the option that best fits the size of the ATV rack you are mounting them to.

**Standard Position:** **USE** the supplied washers shown in red. In this position, the mounting block will fit round tubes up to 1", square tubes up to 1/2" and composite (plastic racks) up to 1/2" thick.

**Extended Position:** **DO NOT** use the supplied washers! This will allow the hex bolts shown in red below to drop further down into the mounting block. The mounting block will now fit round tubes up to 1 1/2", square tubes up to 1 1/4", and composite (plastic racks) up to 1 1/4" thick.



Place the **Smart Fit** mounting block on the ATV rack in the desired mounting location.

Tighten the nylock nuts, alternate while tightening to ensure even pressure on the compression plate.

3. Attach T-Bar to mounting block with handle bolt.

4. Attach "V" Grip Forks to the T-Bar by placing the 3/8" mounting studs through holes on the top of the T-Bar. Secure from the bottom side with the provided handle nut.

5. Place the item you want to carry in the forks. For a better fit, the Forks can be rotated 360 degrees.

6. Place the snubber into one of the three mounting positions on the Fork that will best hold your item. Pull the snubber over the item to the opposite side and secure it into one of the three mounting

