

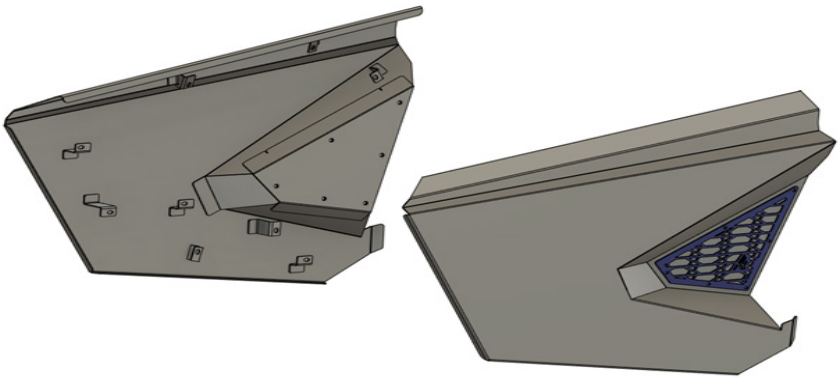


THUMPER FAB

Aluminum Audio Roofs • Roll Cages • UTV Accessories

Polaris RZR Pro R / Pro XP 2 Seat Doors

SKU: TF131703



Thumper Fab

5103 Elysian Fields Rd, Marshall, TX 75672

Customer Service: 903-472-0928

www.thumperfab.com

Ver. 0423

Polaris RZR Pro R / Pro XP

2 Seat Doors

SKU: TF131703

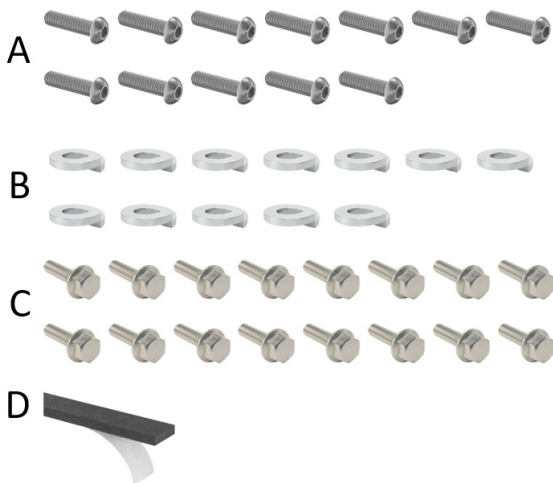


PARTS

REF	QTY	DESCRIPTION
1	1	Driver Side Door Skin
2	1	Passenger Side Door Skin
3	1	Driver Side Accent Panel
4	1	Passenger Side Accent Panel
HARDWARE KIT		
A	12	1/4"-20 x 1" Button Head Screw
B	12	1/4" Lock Washer
C	18	M6-1.0x25mm Flange Head Bolt
D	1	Noise Dampening Foam

TOOLS

- T25 Torx
- T40 Torx
- Small Flat Head Screwdriver
- 5/32" Allen
- 10mm Socket
- 13mm Wrench



BEFORE YOU BEGIN

If you do not feel comfortable installing your **Thumper Fab** doors please see your nearest Polaris® Dealer for installation.

INSTALLATION INSTRUCTIONS

Remove OEM door skins

Use a T25 Torx to remove the 2 OEM screws that fasten the lower door strap (FIG 1).



FIG 1 - Remove Door Strap with T25 Torx

Use a T40 Torx to remove the 10 mounting screws that fasten the OEM door skin to the OEM door frame and remove skin (FIG 2).



FIG 2 - Remove OEM doors skin using T40 Torx

INSTALLATION INSTRUCTIONS

Install Thumper Fab Door Skins

Use a small flat head screwdriver to remove the OEM barrel nut clips from the factory door skins (**FIG 3**). Slide clips over the mount brackets located on the inside of the door skins (**FIG 4**).



FIG 3 - Remove OEM barrel nut clips from OEM door skins



FIG 4 - Install barrel nut clips onto Thumper Fab door skins

Apply 1"x1" square piece of noise dampening foam (**D**) to door frame (**FIG 5**). Use a small screwdriver to poke hole in foam for bolt to slide through. Use the 18 x M6-1.0x25mm bolts (**C**) and a 10mm socket to fasten the door skins to the factory door frames. Start all bolts before tightening evenly (**FIG 6**).



FIG 5 - Install noise dampening foam over mount holes of door frame



FIG 6 - Fasten Thumper Fab doors skins using 10mm socket

INSTALLATION INSTRUCTIONS

Install Thumper Fab Accent Panels

Apply noise dampening foam (**D**) to backside of accent panel (**FIG 7**). Fasten the accent panels to the door skins using 12 x 1/4"-20 x 1" button head screws (**A**) and 12 x 1/4" lock washer (**B**) using 5/32" allen (**FIG 8**).



FIG 7 - Apply foam to backside of accent panel



FIG 8 - Install accent panels using 5/32" allen

Slowly open and close doors to make sure there is no contact between door skin and OEM plastics. If there are any issues, adjust OEM hinges as needed (**FIG 9**).



FIG 9 - Adjust OEM hinges as needed using 13mm Wrench

INSTALLATION INSTRUCTIONS

The installation of products sold or manufactured by Thumper Fab including, but not limited to suspension components such as lift kits, control arms, frame stiffener kits, roofs, roll cages, and tires that exceed the original specifications for the vehicle, may change the vehicle's center of gravity and handling characteristics both on- and off-road. You are aware that the installation of tires that are larger than original vehicle specifications may reduce the effectiveness of the braking system. Use of these products may place added stress to the original factory vehicle components which could cause them to weaken or possibly fail.

Products sold or manufactured by Thumper Fab are intended for off-road use only. Operation of a vehicle modified with these products on a road could result in serious bodily injury or death, and such operation may violate the laws of your state or municipality. You agree to operate your vehicle exclusively in the manner intended by the vehicle manufacturer. You agree that failure to safely and reasonably operate your vehicle could result in serious bodily injury or death, and that, as a result of installation of this product(s) to your vehicle, extreme care must be taken to prevent vehicle rollover or loss of control, which may be more likely to occur as a result of said modifications. You will avoid unsafe maneuvers, including sudden sharp turns or other abrupt maneuvers, which could make a vehicular accident more likely. You understand that Thumper Fab is not responsible or liable for any damages or any injuries to yourself or your passengers that could occur upon possible accidents due to driver error, incorrect installations, bad judgment, incompatibility with other aftermarket accessories or natural disasters to the fullest extent allowable by law. You will have all vehicle occupants fasten seatbelts, if equipped, and wear proper safety equipment, such as DOT approved helmet and eye protection prior to operating the vehicle. You understand and acknowledge that failure to wear proper safety equipment may increase the risk of serious bodily injury or death to yourself and any passengers.

INSTALLATION INSTRUCTIONS

Proper installation of products sold or manufactured by Thumper Fab requires knowledge of the factory recommended procedures for removal and installation of original equipment components. Installation of these products without proper knowledge and experience may affect the performance of these components and the safety of the vehicle and cause serious bodily injury or death. It is strongly recommended that a certified mechanic familiar with the installation of similar components perform the product(s) installation.

Prior to installing any products sold or manufactured by Thumper Fab, you will perform or cause to be performed an inspection of their vehicle to confirm its condition is suitable for the installation of these products. A proper inspection of the vehicle includes confirmation that the vehicle has not been in a collision and is free of corrosion. If the vehicle is suspected to have been in a collision or misused, or is otherwise unsuitable for modification, you will not install the product(s). You will continue to inspect the vehicle prior to each use to confirm its condition is suitable for its intended use, and you acknowledge that the failure to do so may result in serious bodily injury or death, as well as damage to the vehicle itself.

You will install any warning labels provided with the product so it may be prominently seen by yourself and all passengers. You will notify all passengers of the modifications performed to your vehicle prior to operation.

Insurance companies may handle coverage of a modified vehicle differently. Please check with your insurance carrier prior to modifying the vehicle to ensure your coverage remains sufficient.

Installation of this product(s) may void your vehicle warranty. If this is a concern, please check with the manufacturer or dealer before purchase or installation of this product(s).



THUMPER FAB

Thumper Fab

5103 Elysian Fields Rd, Marshall, TX 75672

Customer Service: 903-472-0928

www.thumperfab.com