

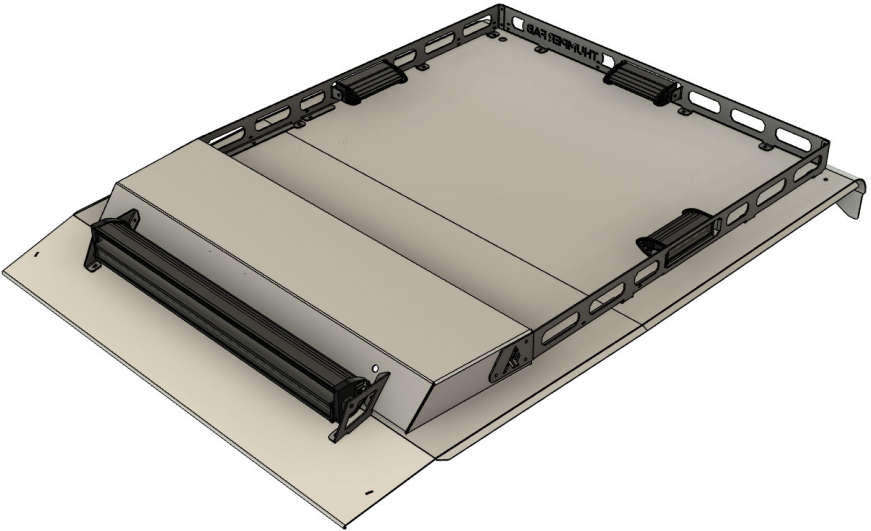
THUMPER FAB

Aluminum Audio Roofs - Bumpers & Roll Cages - UTV Accessories

Ranger 570

Audio Roof

P/N: TF100301 / TF100302



Thumper Fab

5103 Elysian Fields Rd, Marshall, Tx 75672

Customer Service: 903-472-0928

www.thumperfab.com

Ver. 0122

INSTALLATION

Tools

- 9/64" Hex
- 1/2" Socket
- 10mm Socket or Pliers
- Torque Wrench
- Crimping Tool

Hardware

Ref	Description	Quantity
A	Z-Bracket Assembly	2
A1	5/16" x 1" Hex Bolt	4
A2	5/16" Flat Washer	4
A3	5/16" Bonded Washer	2
A4	5/16" Split Lock Washer	2
A5	5/16" Spot Weld Nut	2
A6	5/16" Flange Nyloc Nut	2
A7	Z-Bracket	2
B	Vertical Bar Clamp Kit	1
B1	#8-32 x 3/4" Cap Screw	4
B2	#8 Split Lock Washer	4
B3	5/16" Flat Washer	4
B4	5/16" x 1-1/2" Hex Bolt	2
B5	5/16" Nyloc Nut	2
C	D-Foam	1
D	40A Inline Fuse	1
E	5/16" x 1-1/2" Hex Bolt(on roof)	3
F	5/16" Bonded Washer(on roof)	3
G	5/16" Flat Washer(on roof)	3
H	5/16" Nut(on roof)	3
I	1/2" Spacer(on roof)	3

**Note: 2-Seat roof doesn't include vertical bar clamp kit*

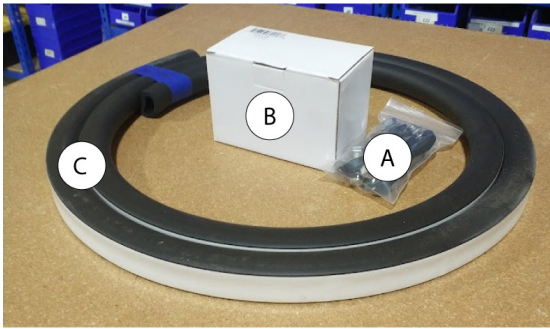


Figure 1

Install D-Foam

Cut the D-foam **Ref C** in half, so that both pieces are equal length. Install the D-foam where shown in **Figure 2**. Cut off any loose material.

Apply Foam On
Edge Of Roof
(Highlighted Red)

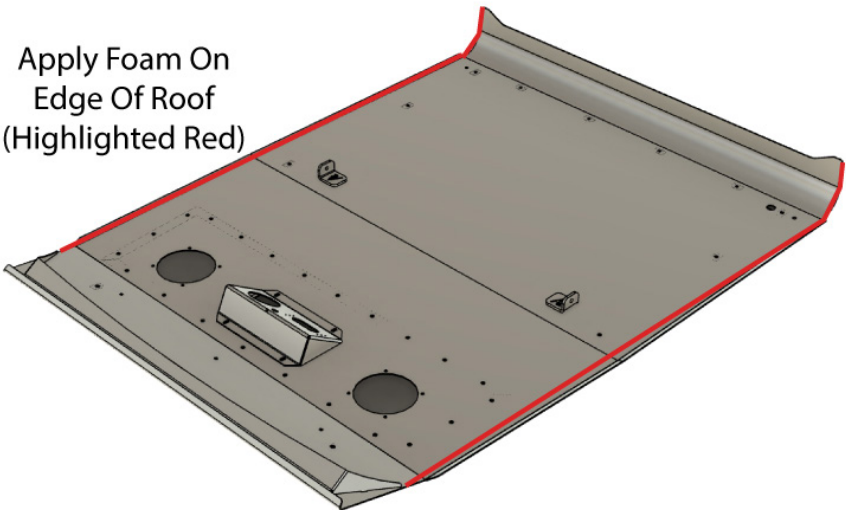


Figure 1

INSTALLATION

Remove the Nuts from Spacer Bolts

On the front of the roof, remove the 5/16" nyloc nuts **Ref H** and the 5/16" flat washers **Ref G** from the 5/16" x 1-1/2" bolts **Ref E**. Do not remove the 1/2" spacers **Ref I** which should stay on the roof.

Remove the Stock Roof (if applicable)

The stock polyroof is held on by push pins and shouldn't require any tools to remove. Remove the stock roof and set it aside.

Install the Z-Brackets

Position the Z-brackets **Ref A** on the ROPS(roll-over protection system, a.k.a. the roll cage) on the rear corner, as shown in **Figure 2**.

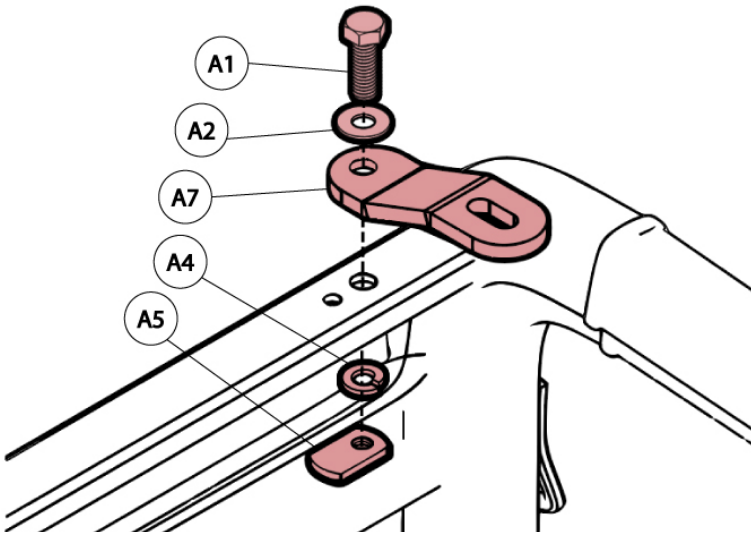


Figure 2

Install the Vertical Bar Clamp On Roof(if applicable)

Install the vertical bar clamp **Ref B** on the audio roof, as shown in **Figure 4**. Before continuing to the next step, use the 9/64" hex drive to remove the bottom half of the bar clamp to place over the ROPS.

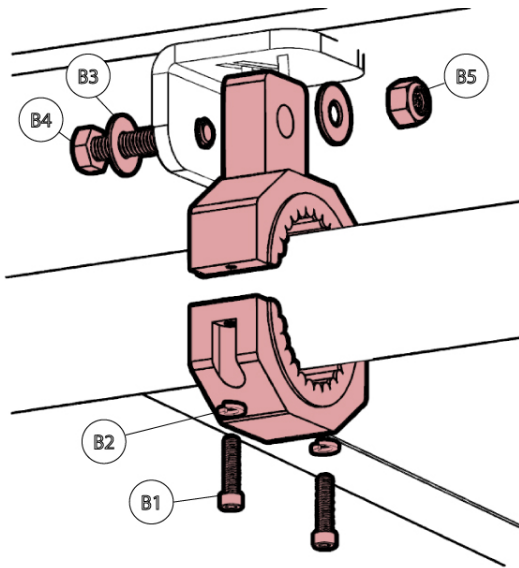


Figure 4

Place Audio Roof on Unit

With the help of two people, place the audio roof on top of the ROPS and align the mounting holes between the audio roof and the ROPS. Make sure that the 5/16" x 1-1/2" bolts **Ref E** go through the holes on the ROPS.

Tighten Down the Roof to Spec

Use the torque wrench with the 1/2" socket to tighten down the rear hardware to **10FT-LBS**. *Overtightening may cause gaps where water can enter the roof and damage the electronics.* Then install the other half of the bar clamp using the 9/64" hex drive. Finally, tighten the hardware **Ref H** at the front of the roof using the 1/2" socket, making sure to include the 5/16" flat washers **Ref G**.

Wiring the Audio Roof

Lift up the back seat to gain access to the electrical compartment. Strip the last 1/2" of sheathing on the wires and use the crimping tool to add a 3/8" ring terminal to one side of the 40A inline fuse **Ref D**. Use the butt connector to connect the other side of the fuse to the wiring harness on the audio roof. Connect the ring terminals to the battery using the 10mm socket. Correct wiring is shown in **Figure 5**. **Note: *incorrectly connecting the wires may result in damage to the vehicle or audio roof.***

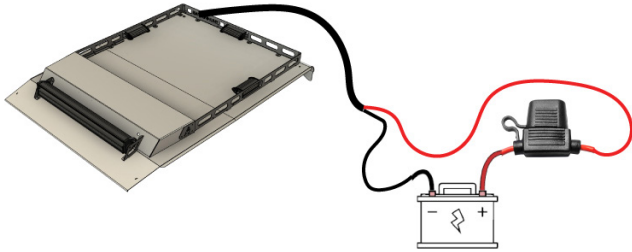


Figure 5

Test the Audio

Press the power button located on the control panel. Follow the manufactures instructions for audio and light operations.

THUMPER FAB

For additional help with installation, checkout out our
YouTube channel or send us an email to
support@thumperfab.com

5103 Elysian Fields Rd, Marshall, Tx 75672
Customer Service: 903-472-0928